

Alcatel-Lucent.4A0-106.v2022-05-06.q167

Exam Code:	4A0-106
Exam Name:	Nokia Virtual Private Routed Networks
Certification Provider:	Alcatel-Lucent
Free Question Number:	167
Version:	v2022-05-06
# of views:	3166
# of Questions views:	1670
https://www.dumpsdb.com/dumps/Alcatel-Lucent/4A0-106/Alcatel-Lucent.4A0-106.v2022-05-06.q167	

NEW QUESTION: 1

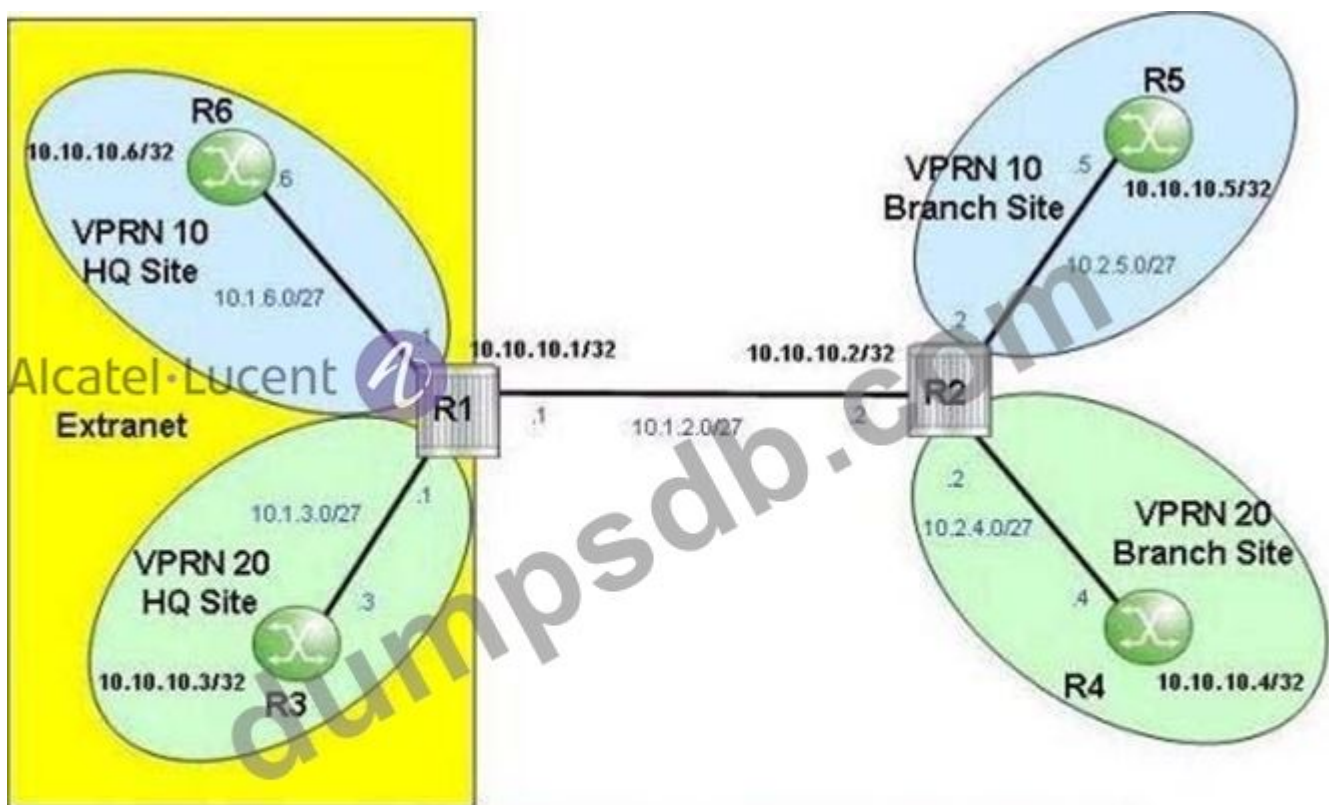
Which of the following about inter-AS model C VPRN is FALSE?

- A. VPN-IPv4 routes are neither maintained nor distributed by the ASBRs.
- B. ASBRs exchange labeled IPv4 routes for the system addresses of PE routers.
- C. It requires a route reflector to be configured in each AS for successful operation.
- D. PE routers in different ASes exchange VPN-IPv4 routes directly between each other using MP-eBGP.

Answer: C ([LEAVE A REPLY](#))

NEW QUESTION: 2

Click the exhibit.



```
vprn 20 customer 20 create
description "Green VPN"
autonomous-system 65530
route-distinguisher 65530:20
vrf-target target:65530:20
```

An extranet VPRN is configured on Alcatel-Lucent 7750 SRs. On which router(s) should the displayed configuration be applied?

- A. Router R1
- B. Routers R1 and R2
- C. Router R2
- D. Router R3
- E. Router R4

Answer: C (LEAVE A REPLY)

NEW QUESTION: 3

Where are VPN-IPv4 addresses used in a VPRN?

- A. In the routing updates exchanged from CE to PE
- B. In the routing updates exchanged from PE to PE
- C. In the routing updates exchanged from P to PE
- D. In customer packets as they traverse the provider core
- E. In all route tables of the VPRN control plane

Answer: B (LEAVE A REPLY)

Section: Volume A

NEW QUESTION: 4

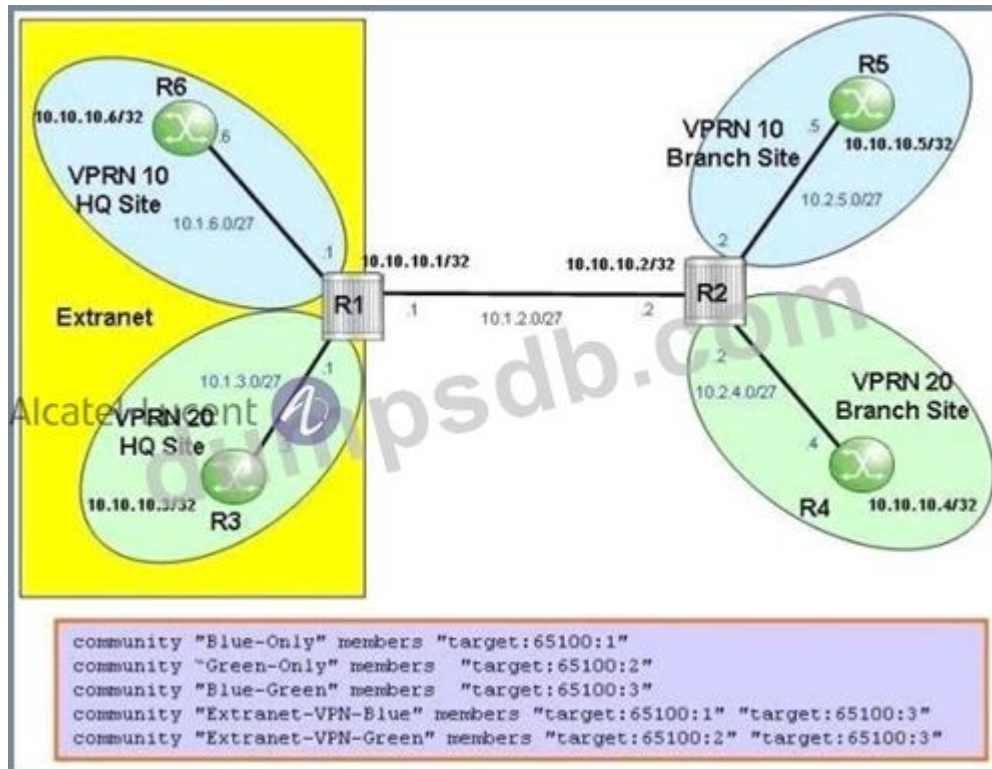
What mechanism allows routes to be shared between customers in different VPRNs?

- A. The routes to be shared are identified by common AS numbers
- B. The routes to be shared are identified by common VPN labels
- C. The routes to be shared are identified by common route distinguishers
- D. The routes to be shared are identified by common route targets

Answer: D ([LEAVE A REPLY](#))

NEW QUESTION: 5

Click the exhibit.



The headquarter sites of VPRN 10 and VPRN 20 are part of an extranet VPRN. Which of the following communities are included in the export policy applied to VPRN 10 on router R1?

- A. "Blue-Only"
- B. "Extranet-VPN-Blue" and "Extranet-VPN-Green"
- C. "Blue-Green"
- D. "Extranet-VPN-Blue"

Answer: D ([LEAVE A REPLY](#))

NEW QUESTION: 6

When configuring a VPRN service on an Nokia 7750 SR, where should the following policy be applied?

```
A:PE1# show router 10 ospf neighbor
```

```
=====
```

```
OSPF Neighbors
```

```
=====
```

Interface-Name	Rtr Id	State	Pri	RetxQ	TTL
toCE1-VPRN	10.10.10.241	ExchStart	1	0	36

```
No. of Neighbors: 1
```

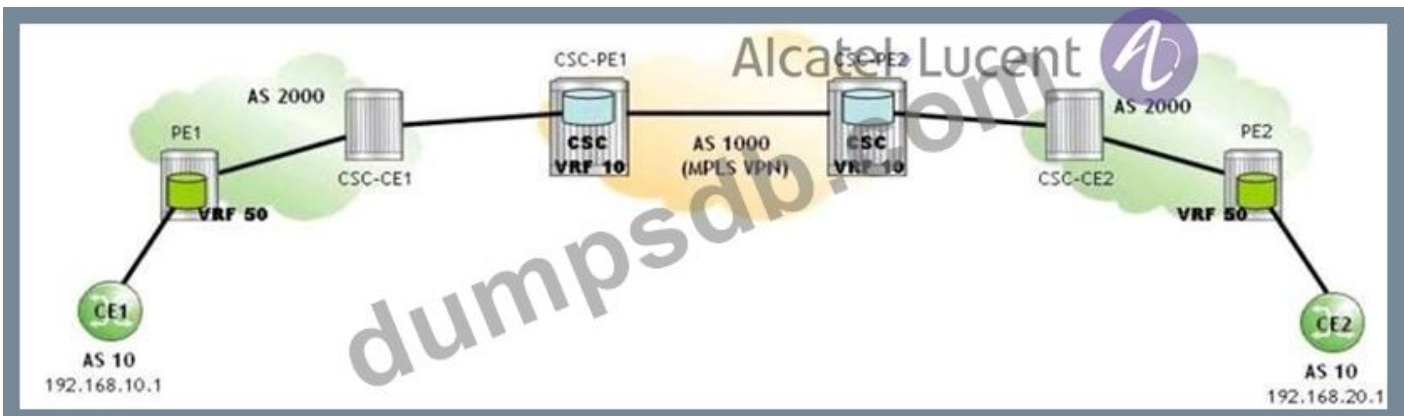
```
=====
```

- A. On the PE under the RIP context
- B. On the CE under the RIP context
- C. This policy is not required
- D. On the CE under the BGP context
- E. On the PE under the BGP context

Answer: C (LEAVE A REPLY)

NEW QUESTION: 7

Click the exhibit.



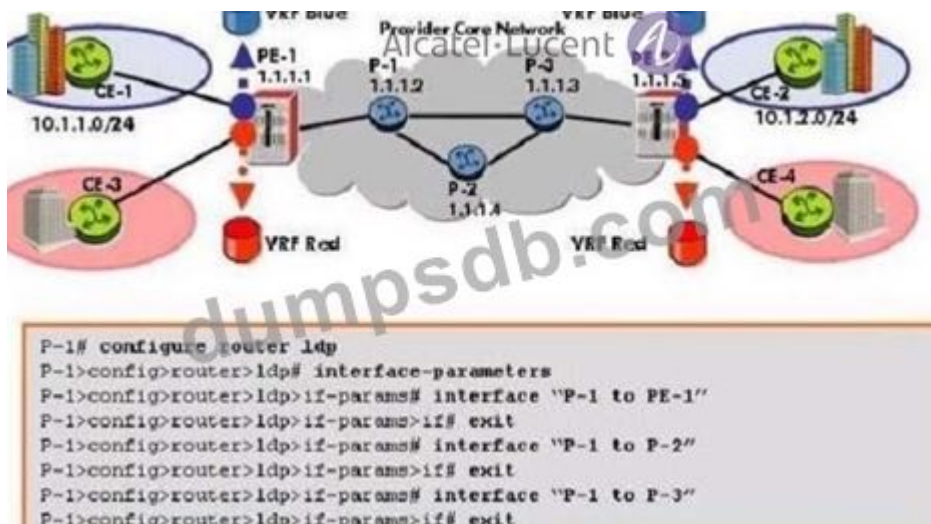
A Carrier Supporting Carrier (CSC) VPRN is configured for a customer carrier who is a BGP/MPLS service provider. Which of the following describes the routes present in PE1's global routing table?

- A. The system address of CSC-CE1, the route 192.168.10.1, and the route 192.168.20.1 are all present.
- B. The system address of PE2 is present. The system addresses of CSC-PE1 and CSC-PE2 are not present.
- C. The system addresses of PE2, CSC-PE1 and CSC-PE2 are all present.
- D. The system address of PE2 and the route 192.168.20.1 are present.

Answer: B (LEAVE A REPLY)

NEW QUESTION: 8

Click the exhibit.



An Alcatel-Lucent 7750 SR is to be configured as a core router that supports VPRNs using LDP as the transport protocol. Which of the following best describes this configuration?

- A. This configuration is correct, but the interfaces must also be configured in the "configure router mpls" context.
- B. This configuration is correct but Targeted-LDP is also required.
- C. There is no configuration required for LDP in the core network.
- D. This configuration is correct and complete.

Answer: D ([LEAVE A REPLY](#))

NEW QUESTION: 9

Choose the answer that best completes the following sentence. The CE device is typically configured with

- A. A routing protocol for exchanging routes with the internal customer routers and a routing protocol for exchanging routes with the PE
- B. MPLS for exchanging labels with other CE devices
- C. MPLS and a routing protocol for the exchange of labels and routes with the PE
- D. A single routing protocol for exchanging routes with both the internal customer routers and with the PE
- E. MP-BGP to exchange routes with the PE.

Answer: (SHOW ANSWER)

NEW QUESTION: 10

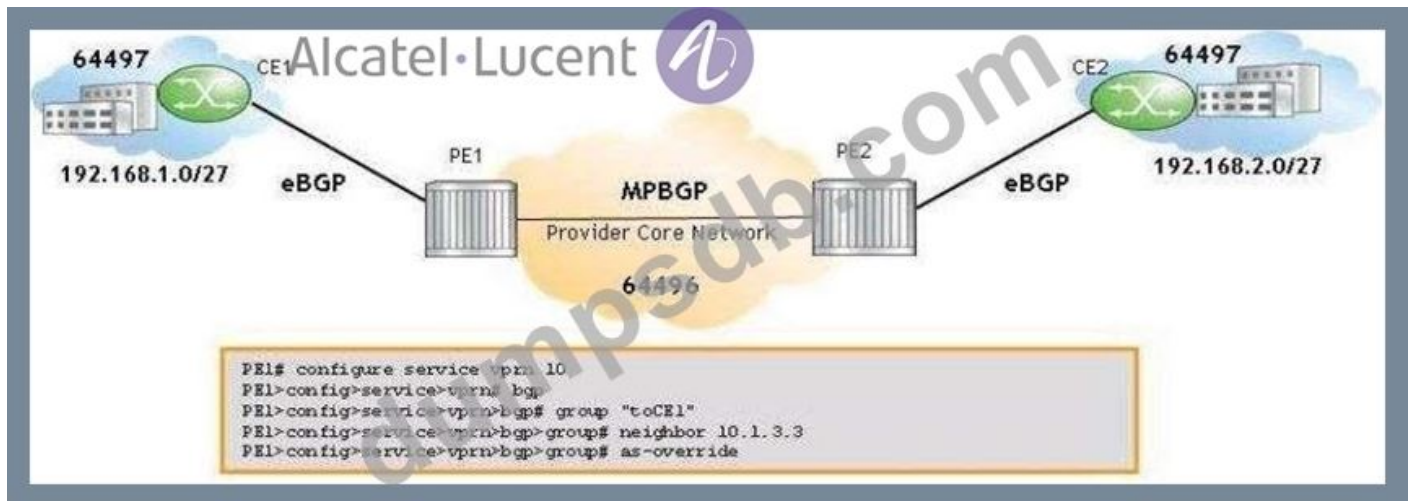
A CE hub and spoke VPRN has two spoke sites; which of the following would be the best option to implement this topology at the hub site PE?

- A. One VPRN, two route distinguishers, and three route targets
- B. Two VPRNs, one route distinguisher, and three route targets
- C. One VPRN, one route distinguisher, and two route targets
- D. Two VPRNs, two route distinguishers, and three route targets

Answer: C ([LEAVE A REPLY](#))

NEW QUESTION: 11

Click the exhibit.



AS-override is configured on PE1 to eliminate the BGP loops. What is the expected AS-Path in the VPN-IPv4 route 64496:10:192.168.2.0/27 received by PE1?

- A. 64496 64497
- B. 64496
- C. 64497
- D. 64497 64497

Answer: C (LEAVE A REPLY)

Section: Volume B

NEW QUESTION: 12

Which of the following about inter-AS model C VPRN is FALSE?

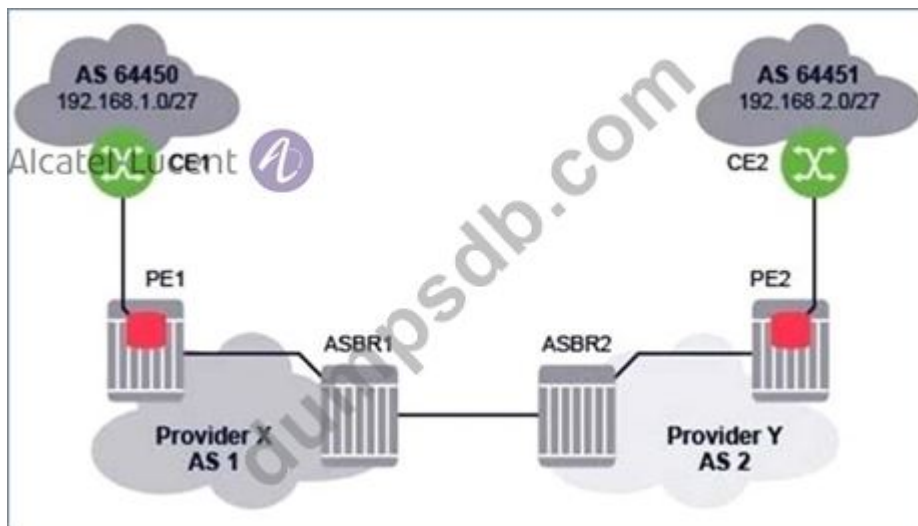
- A. ASBRs exchange labeled IPv4 routes for the system addresses of PE routers.
- B. It requires a route reflector to be configured in each AS for successful operation.
- C. VPN-IPv4 routes are neither maintained nor distributed by the ASBRs.
- D. PE routers in different ASes exchange VPN-IPv4 routes directly between each other using MP-eBGP.

Answer: B (LEAVE A REPLY)

Section: Volume B

NEW QUESTION: 13

Which of the following statements about Inter-AS model B VPRN is TRUE?

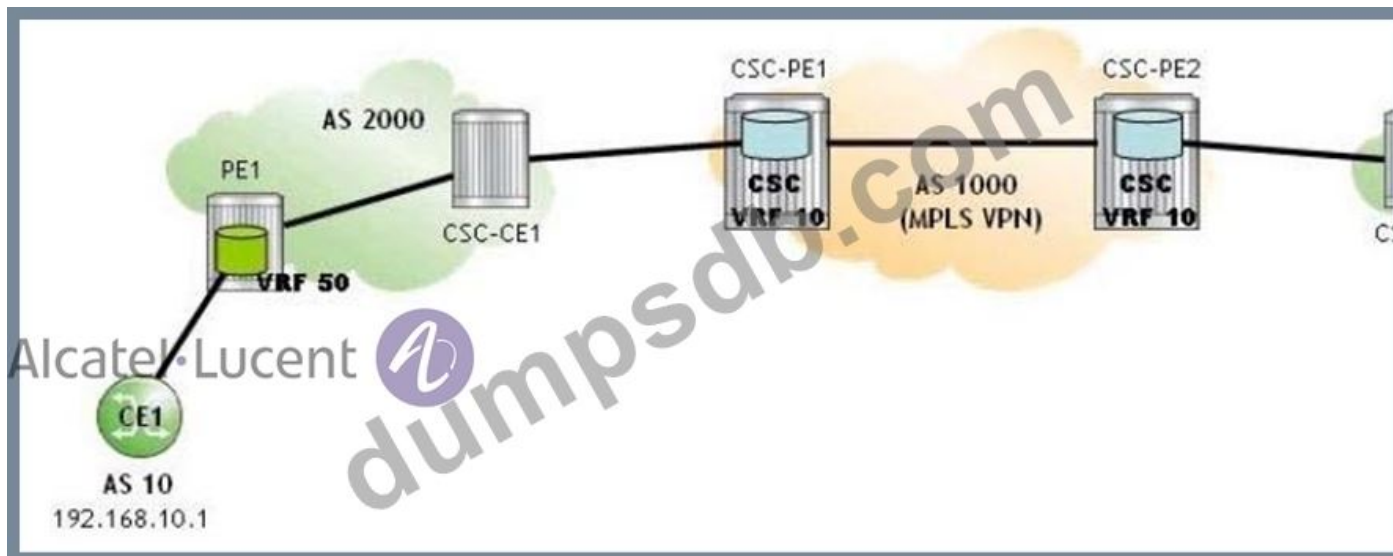


- A. eBGP is used between ASBR1 and ASBR2 to exchange IPv4 routes.
- B. MP-eBGP is used between ASBR1 and ASBR2 to exchange labeled IPv4 routes.
- C. MP-eBGP is used between PE1 and PE2 to exchange VPN-IPv4 routes.
- D. MP-iBGP is used between PE1 and ASBR1 to exchange VPN-IPv4 routes.

Answer: B ([LEAVE A REPLY](#))

NEW QUESTION: 14

Click the exhibit.



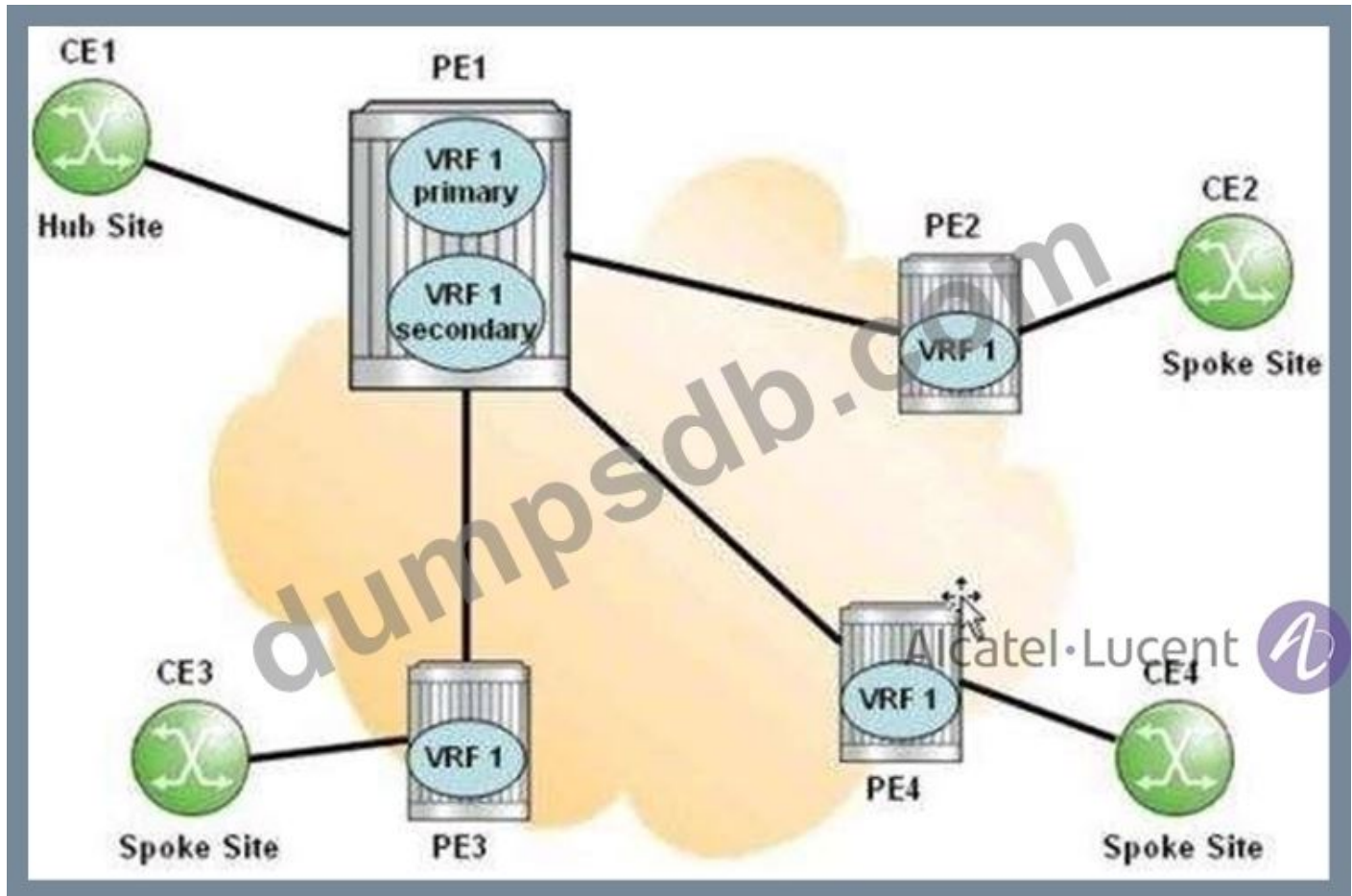
A Carrier Supporting Carrier (CSC) VPRN is configured for a customer carrier who is a BGP/MPLS service provider. Which of the following describes the routes present in PE1's global routing table?

- A. The system address of CSC-CE1, the route 192.168.10.1, and the route 192.168.20.1 are all present.
- B. The system addresses of PE2, CSC-PE1 and CSC-PE2 are all present.
- C. The system address of PE2 is present. The system addresses of CSC-PE1 and CSC-PE2 are not present.
- D. The system address of PE2 and the route 192.168.20.1 are present.

Answer: C ([LEAVE A REPLY](#))

NEW QUESTION: 15

Click the exhibit.



Which of the following statements about the implementation of the CE hub and spoke topology is FALSE?

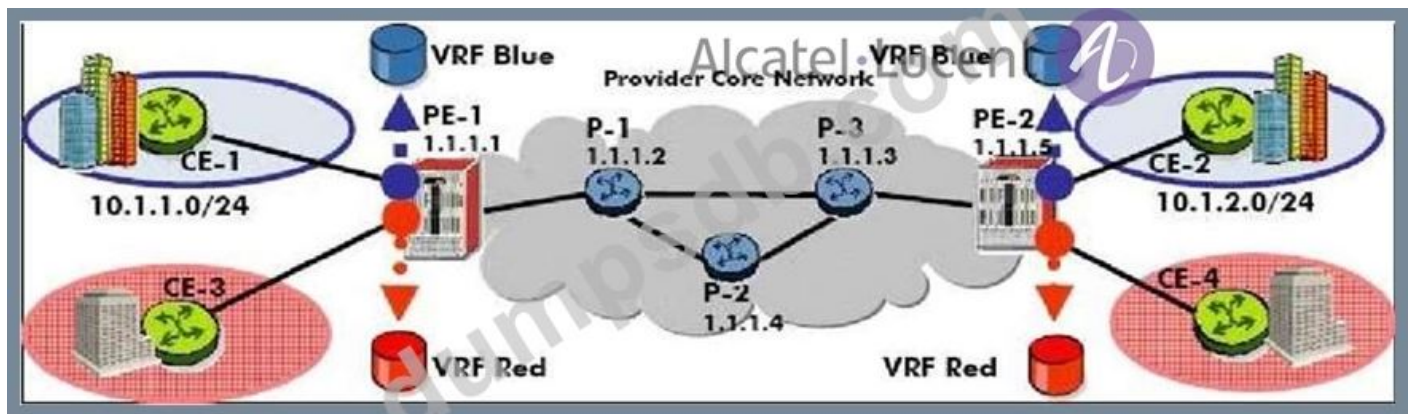
- A. PE1 advertises spoke routes to CE1.
- B. The primary VRF on PE1 is used to route data packets from the hub CE to the spoke sites.
- C. The secondary VRF on PE1 contains routes learned from the spoke sites.
- D. Spoke sites do not learn routes from other spoke sites directly.

Answer: C ([LEAVE A REPLY](#))

Section: Volume B

NEW QUESTION: 16

Which of the following commands on an Nokia 7750 SR will verify connectivity for a VPRN service <service-id> when issued from the PE?



- A. vprn-ping router <service-id> <destination-ip>
- B. Ping <destination-ip> source <source-ip>
- C. oam <service-id> vprn-ping source <source-ip> destination <destination-ip>
- D. oam vprn-ping <service-id> source <source-ip> destination <destination-ip>

Answer: D (LEAVE A REPLY)

Valid 4A0-106 Dumps shared by TrainingQuiz.com for Helping Passing 4A0-106 Exam!

TrainingQuiz.com now offer the **newest 4A0-106 exam dumps**, the TrainingQuiz.com 4A0-106 exam **questions have been updated** and **answers have been corrected** get the **newest** TrainingQuiz.com 4A0-106 dumps with Test Engine here:

<https://www.trainingquiz.com/4A0-106-practice-quiz.html> (215 Q&As Dumps, **40%OFF Special Discount: Exam-Tests**)

NEW QUESTION: 17

For the data packets in a VPRN, how is the inner label in an MPLS packet signaled?

- A. Signaled via MP-BGP and used to identify the egress PE.
- B. Signaled via T-LDP and used to identify the customer VPRN.
- C. Signaled via MP-BGP and used to identify the customer VPRN.
- D. Signaled via RSVP and LDP and used to identify the egress PE.
- E. Signaled via RSVP and LDP and used to identify the customer VPRN.

Answer: C (LEAVE A REPLY)

Section: Volume B

NEW QUESTION: 18

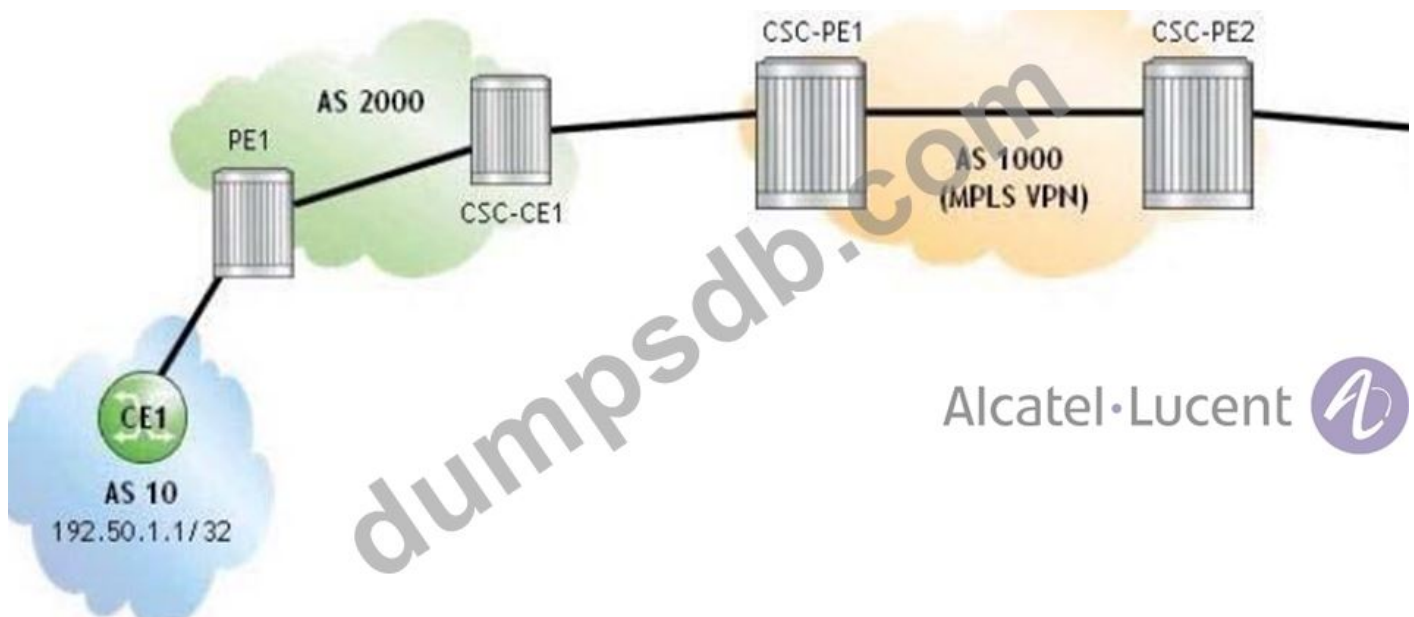
Based on the VPRN BGP decision process, which of the following routes is selected first if the command "PE1>config>service>vprn> bgp best-path-selection as-path-ignore" is executed?

- A. The route with the shortest AS path.
- B. The route with the lowest originator ID or BGP Identifier.
- C. The route learned from an eBGP peer.
- D. The route with the lowest Origin.

Answer: D ([LEAVE A REPLY](#))

NEW QUESTION: 19

Click the exhibit.



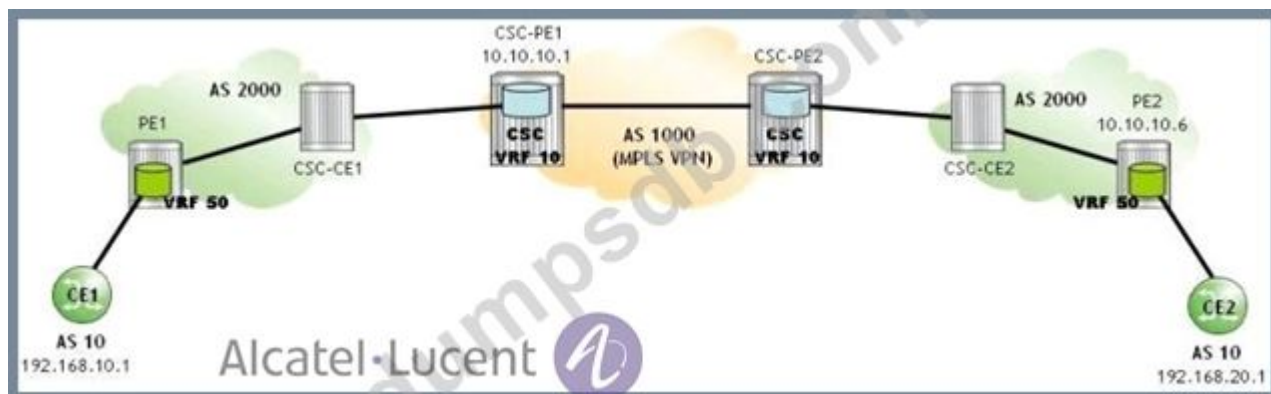
A Carrier Supporting Carrier (CSC) VPRN is configured on an Alcatel-Lucent 7750 SR for a customer carrier who is an Internet Service Provider (ISP). Which of the following configuration steps is NOT required?

- A. Configuring a policy on each CSC-CE to advertise local PE addresses to the network provider.
- B. Configuring a CSC VPRN on each CSC-PE with a SAP interface towards the attached CSC-CE.
- C. Configuring an IES service on PEL
- D. Configuring iBGP sessions between PEs residing in different customer carrier sites.

Answer: B ([LEAVE A REPLY](#))

NEW QUESTION: 20

Click the exhibit.



A Carrier Supporting Carrier (CSC) VPRN is configured for a customer carrier who is a BGP/MPLS service provider. Which route is present in PE1's global routing table?

- A. 192.168.20.1
- B. 10.10.10.1

C. 192.168.10.1

D. 10.10.10.6

Answer: ([SHOW ANSWER](#))

NEW QUESTION: 21

Which single command will verify the state of auto-bind, the configured Route Distinguisher and Route Target, in addition to the SAP and SDP bindings for a particular service on an Alcatel-Lucent 7750 SR?

A. Show service all

B. Show service id <service-id> detail

C. Show service id <service-id> base

D. Show service id <service-id> bindings

E. Show service sap-using

Answer: ([SHOW ANSWER](#))

Section: Volume A

Explanation/Reference:

NEW QUESTION: 22

Click the exhibit.

```
*A:ASBR1# show router 10 bgp summary
=====
 BGP Router ID:10.10.10.3      AS:64496      Local AS:64496
=====
BGP Admin State      : Up          BGP Oper State      : Up
Total Peer Groups    : 1           Total Peers         : 1
Total BGP Paths       : 5           Total Path Memory   : 660
Total IPv4 Remote Rts : 3           Total IPv4 Rem. Active Rts : 3
Total IPv6 Remote Rts : 0           Total IPv6 Rem. Active Rts : 0
Total Supressed Rts  : 0           Total Hlirt. Rts    : 0
Total Decay Rts      : 0
=====
BGP Summary
=====
Neighbor
AS Pkt Rcvd InQ Up/Down State|Rcv/Act/Sent (Addr Family)
  Met Sent OutQ
-----
10.3.4.4
-----
      106      0 00h50m09s 3/3/3 (IPv4)
      104      0
=====
```

The displayed output is from an ASBR supporting an inter-AS model A VPRN. Which of the following statements about this output is TRUE?

A. The neighbor shown is an ASBR router.

B. The address family between the peers should be VPN-IPv4 instead of IPv4.

C. The neighbor address cannot be the interface address 10.3.4.4.

D. The omitted AS number under "BGP summary" must be equal to 64496.

Answer: A ([LEAVE A REPLY](#))

Section: Volume B

NEW QUESTION: 23

Which of the following devices would typically have VRF instances?

- A. Any CE device
- B. Any PE device
- C. Any P device
- D. Any router in the service provider core
- E. Any customer router

Answer: B ([LEAVE A REPLY](#))

Section: Volume A

NEW QUESTION: 24

Where are VPN-IPv4 addresses used in a VPRN?

- A. In customer packets as they traverse the provider core
- B. In the routing updates exchanged from P to PE
- C. In the routing updates exchanged from PE to PE
- D. In all route tables of the VPRN control plane
- E. In the routing updates exchanged from CE to PE

Answer: C ([LEAVE A REPLY](#))

NEW QUESTION: 25

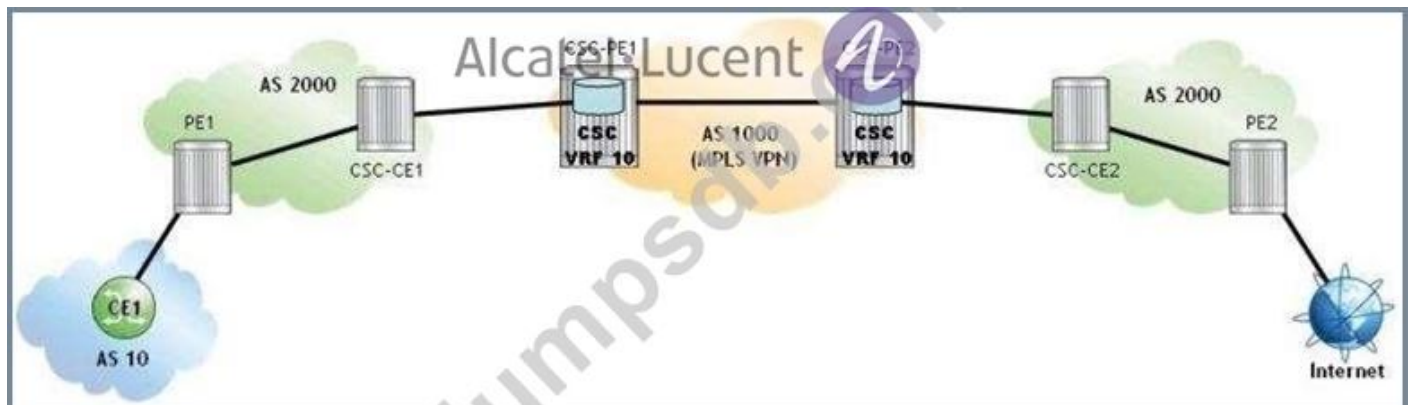
At what point does the Route Target become associated with a route?

- A. When the route is propagated from the PE to the CE
- B. When the route is exported into the MP-BGP table from the VRF
- C. When the route is first received at the P from the PE
- D. When the route from the CE is populated into the VRF at the PE
- E. When the route from the PE is populated into the VRF at the CE

Answer: B ([LEAVE A REPLY](#))

NEW QUESTION: 26

Click the exhibit.



A Carrier Supporting Carrier (CSC) VPRN is configured for a customer carrier who is an Internet Service Provider (ISP). Which of the following about route distribution is FALSE?

- A. The VRF 10 on CSC-PE1 includes PE1 and PE2's system addresses.
- B. The global routing table of PE1 includes PE2's system address.
- C. The VRF 10 on CSC-PE2 includes CE1'S address.
- D. The global routing table of PE2 includes CE1's address.

Answer: C ([LEAVE A REPLY](#))

Section: Volume B

NEW QUESTION: 27

Click the exhibit.

The diagram shows a network topology with four VPRN sites: VPRN 10 HQ Site (yellow), VPRN 20 HQ Site (green), VPRN 10 Branch Site (blue), and VPRN 20 Branch Site (green). Routers R1 and R2 connect the HQ sites, while R3 and R4 connect the Branch sites. R1 and R2 are interconnected. A table below shows the route table on R4.

Dest Prefix	Next Hop[Interface Name]	Type	Proto	Age	Metric	Pref
10.1.3.0/27	10.2.4.2	Remote	OSPF	01h32m38s	150	
10.2.4.0/27	toR2	Local	Local	17d19h16m	0	0
10.10.10.4/32	system	Local	Local	17d02h56m	0	0
192.168.3.1/32	10.2.4.2	Remote	OSPF	01h32m38s	150	
192.168.4.1/32	loop1	Local	Local	01d05h52m	0	0

Alcatel-Lucent

Router R4 is an Alcatel-Lucent 7750 SR configured for the extranet VPRN network. Which CLI command is executed on router R4 to produce the displayed output?

- A. "show router route-table"
- B. "show router 10 route-table"

C. There is no CLI command that can produce this output on router R4

D. "show router 20 route-table"

Answer: A ([LEAVE A REPLY](#))

NEW QUESTION: 28

You are configuring spoke SDP termination of a VPLS service on a VPRN interface on an AlcatelLucent 7750 SR. The spoke SDP is running over a NULL encapsulated network port. The best practice is to set the VPRN interface p-mtu equal to what value over a NULL encapsulated network port.

A. The SDP path-MTU minus 14

B. The LMTU found in how router ldp bindings on the VPLS side of the spoke SDP

C. The configured service-mtu of the VPLS service

D. The LMTU found in how router ldp bindings on the VPLS side of the spoke SDP minus14

E. The SDP path-MTU

Answer: ([SHOW ANSWER](#))

Section: Volume A

NEW QUESTION: 29

Choose the best answer to describe the result of the configuration of an Alcatel-Lucent 7750 SR shown below?

A. The PE will install a maximum of 40 prefixes into the customer vrf and generate a log message when 40 routes are received

B. The PE will install a maximum of 40 prefixes into the customer vrf, and generate a log message both when 30 and 41 routes are received

C. The PE will install a maximum of 40 prefixes into the customer vrf, generate a log message when 10 routes are received and disable learning of new routes at 41

D. The PE will install a maximum of 40 prefixes into the customer vrf, generate a log message when 10 routes are received and drop the connection at 41

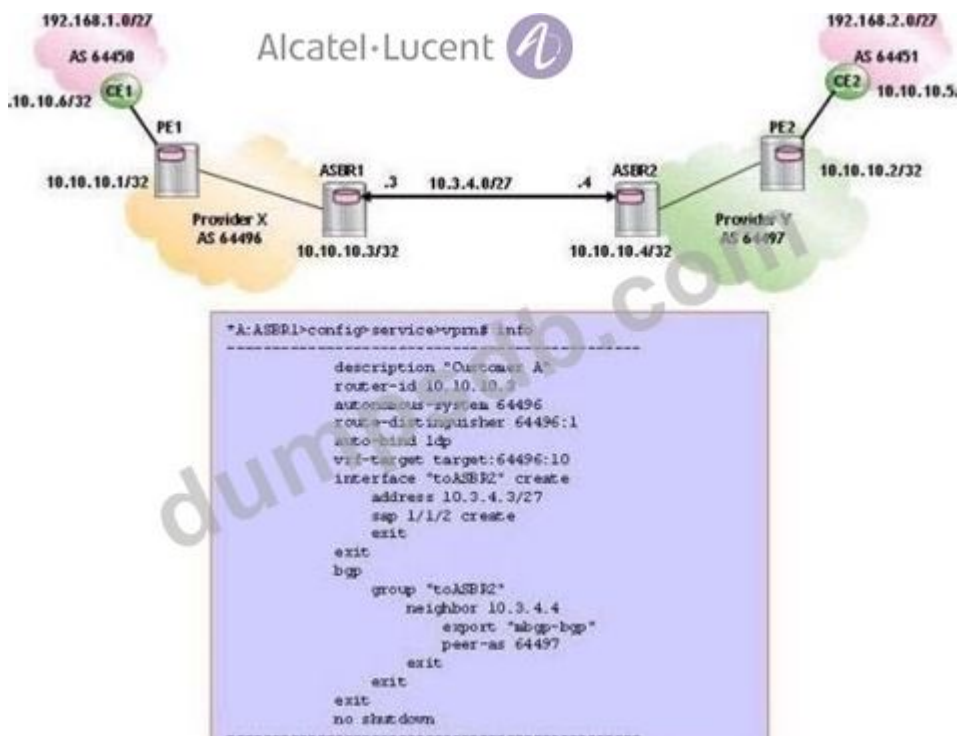
E. The PE will install a maximum of 40 prefixes into the customer vrf, generate a log message when 4 routes are received and disable learning of new routes at 41

Answer: ([SHOW ANSWER](#))

Section: Volume A

NEW QUESTION: 30

Click the exhibit.



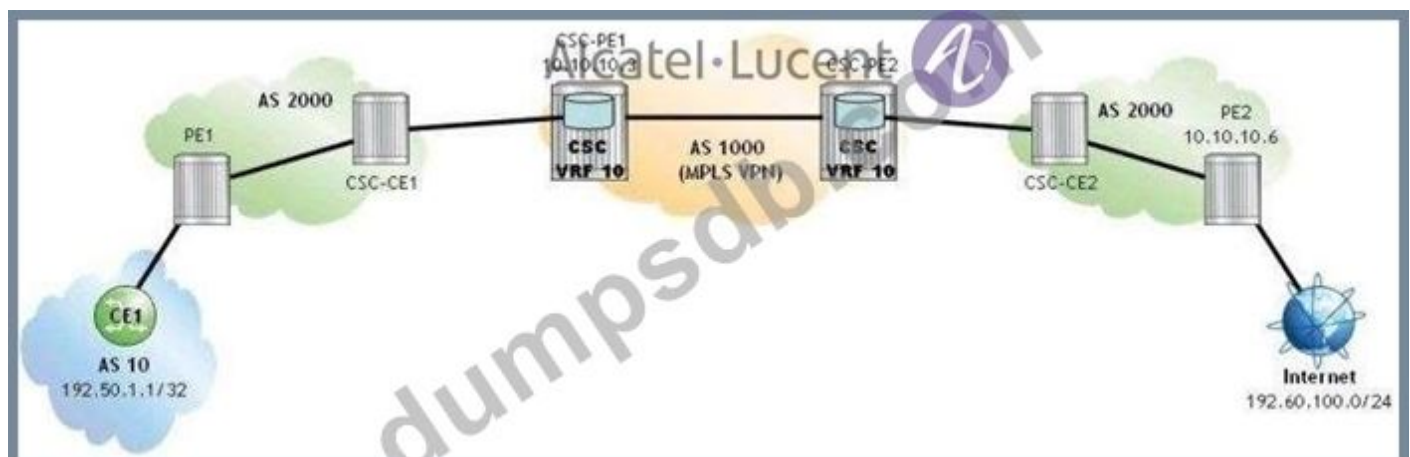
Which of the following about the inter-AS model A VPRN configuration on ASBR1 is TRUE?

- A. The VPRN configuration on ASBR1 is correct.
- B. The "family vpn-ipv4" command is required under the BGP configuration for successful VPRN operation.
- C. The route-distinguisher value must be 64496:10 for successful VPRN operation.
- D. The neighbor address should be 10.10.10.4 under the BGP configuration for successful VPRN operation.
- E. An export policy is not required for successful VPRN operation.

Answer: A (LEAVE A REPLY)

NEW QUESTION: 31

Click the exhibit.



A Carrier Supporting Carrier (CSC) VPRN is configured for a customer carrier who is an Internet Service Provider (ISP). Which route is NOT present in PE1's global routing table?

- A. 192.60.100.0
- B. 10.10.10.6

C. 10.10.10.3

D. 192.50.1.1

Answer: ([SHOW ANSWER](#))

Section: Volume A

Valid 4A0-106 Dumps shared by TrainingQuiz.com for Helping Passing 4A0-106 Exam! TrainingQuiz.com now offer the **newest 4A0-106 exam dumps**, the TrainingQuiz.com 4A0-106 exam **questions have been updated** and **answers have been corrected** get the **newest** TrainingQuiz.com 4A0-106 dumps with Test Engine here:
<https://www.trainingquiz.com/4A0-106-practice-quiz.html> (215 Q&As Dumps, **40%OFF Special Discount: Exam-Tests**)

NEW QUESTION: 32

If Route Reflector 1 (RR1) is used for Internet routes, and Route Reflector 2 (RR2) is used for VPN routes, which of the following is TRUE?

- A. BGP sessions established between RR2 and the PEs support the IPv4 address family only.
- B. BGP sessions established between RR1 and the PEs support IPv4 and VPN-IPv4 address families.
- C. BGP sessions established between RR1 and the PEs support the IPv4 address family only.
- D. BGP sessions established between RR2 and the PEs support IPv4 and VPN-IPv4 address families.

Answer: ([SHOW ANSWER](#))

NEW QUESTION: 33

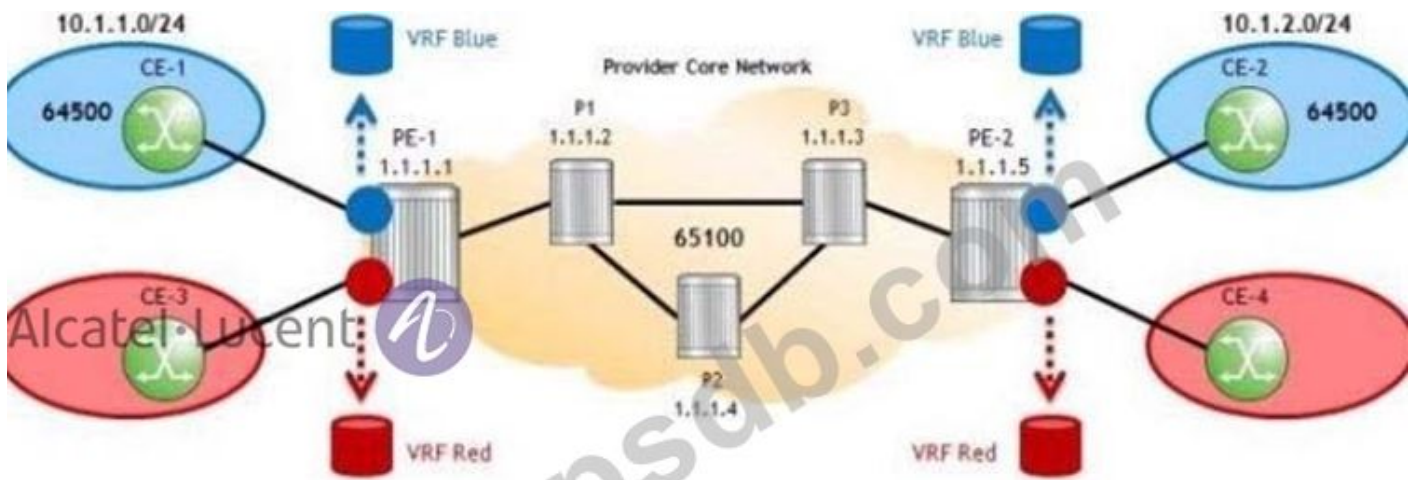
Which of the following about eiBGP Load Balancing is FALSE?

- A. Is enabled in the config>router>bgp context
- B. The RD of the VPRN on the local PE must be different from the RD of the remote PEs.
- C. Allows a PE router to load share traffic across routes learned from both direct CE-PE peerings and MP- BGP peerings.
- D. ecmp and multipath must be configured within the VPRN instance.

Answer: ([SHOW ANSWER](#))

NEW QUESTION: 34

Click the exhibit.



```

PE-1# configure router bgp
PE-1>config>router>bgp$ family vpn-ipv4
PE-1>config>router>bgp$ group BGP-Peers
PE-1>config>router>bgp>group$ peer-as 65100
PE-1>config>router>bgp>group$ local-address 1.1.1.1
PE-1>config>router>bgp>group$ neighbor 1.1.1.5
PE-1>config>router>bgp>group>neighbor$ as-override
PE-1>config>router>bgp>group>neighbor$ exit all
PE-1#

```

The AS-override method is used to prevent BGP loops in the blue customer VPRN. Which statement about the configuration is TRUE?

- A. 'as-override' should be configured under the group context.
- B. 'as-override' should not be part of this configuration.
- C. the configuration is complete and correct.
- D. 'as-override' should be configured under the BGP context.

Answer: B (LEAVE A REPLY)

NEW QUESTION: 35

Which of the following statements best describes the output from an Alcatel-Lucent 7750 SR shown below?

- A. The BGP session from PE to P is not operational
- B. The BGP session between PEs is operational
- C. The BGP session between PE and CE is not operational
- D. The BGP session from PE to CE is operational
- E. The BGP session between PEs is not operational

Answer: D (LEAVE A REPLY)

Section: Volume A

NEW QUESTION: 36

Which command should be used on an Nokia 7750 SR acting as the PE, to view the table containing the BGP routes received from the remote sites?

- A. Show router bgp routes
- B. Show router <service-id> bgp routes

- C. Show router bgp routes <service-id>
- D. Show router bgp routes address-family vpn-ipv4

Answer: ([SHOW ANSWER](#))

NEW QUESTION: 37

Which of the following about the configuration of an inter-AS model C VPRN is FALSE?

- A. MP-iBGP sessions must be configured between the PE routers in each AS.
- B. The ASBRs must be configured with "enable-inter-as-vpn".
- C. MP-eBGP sessions must be configured between the ASBRs.
- D. LDP must be configured in each AS.

Answer: ([SHOW ANSWER](#))

NEW QUESTION: 38

For the inter-AS model B VPRN, which of the following protocols is used to advertise routes between ASBR1 and ASBR2?

- A. iBGP
- B. MP-iBGP
- C. eBGP
- D. MP-eBGP

Answer: ([SHOW ANSWER](#))

NEW QUESTION: 39

Which of the following statements is true regarding the Route Distinguisher? (Choose three)

- A. The Route Distinguisher is not used if the customer addresses do not overlap
- B. The Assigned Number field must contain a public IP address
- C. To ensure uniqueness, Route Distinguishers are assigned by the IANA.
- D. The Administrator field contains either an AS number or an IP number
- E. The Route Distinguisher must have the same value as the Route Target.
- F. It is an 8 byte value containing 3 fields

Answer: D,E,F ([LEAVE A REPLY](#))

NEW QUESTION: 40

Which of the following about inter-AS model B VPRN is TRUE?

- A. Model B is highly scalable because the VPN-IPv4 routes are neither maintained, nor distributed by, the ASBRs.
- B. Model B supports the exchange of labeled IPv4 routes between ASBRs.
- C. Model B requires the configuration of back-to-back VRFs between the ASBRs in different autonomous systems.
- D. There is a dependency between the route target used in different autonomous systems.

Answer: B ([LEAVE A REPLY](#))

NEW QUESTION: 41

What is wrong with the configuration shown below?

- A. The vrf-target command is mandatory
- B. The VPRN ID must be the same value as is used in the vrf-target command
- C. There is nothing wrong with this configuration
- D. The VPRN ID must be the same value as is used in the route-distinguisher command
- E. The router-id command should not be used in this context

Answer: C ([LEAVE A REPLY](#))

NEW QUESTION: 42

A CE hub and spoke VPRN has two spoke sites; which of the following would be the best option to implement this topology at the hub site PE?

- A. One VPRN, one route distinguisher, and two route targets
- B. Two VPRNs, one route distinguisher, and three route targets
- C. Two VPRNs, two route distinguishers, and three route targets
- D. One VPRN, two route distinguishers, and three route targets

Answer: A ([LEAVE A REPLY](#))

Section: Volume A

NEW QUESTION: 43

Which of the following about VPRN Outbound Route Filtering (ORF) is FALSE?

- A. Resources consumed at the sender and receiver PEs can be reduced by using BGP ORF.
- B. BGP ORF allows a receiving PE to filter out unnecessary inbound routes.
- C. A PE indicates its ORF capabilities to its neighbor PE in a BGP Open message.
- D. BGP ORF is most effective when a large number of routes is being exchanged between two peers, and most routes are filtered out on arrival.

Answer: B ([LEAVE A REPLY](#))

Section: Volume B

Explanation/Reference:

NEW QUESTION: 44

Based on the VPRN BGP decision process, which of the following routes is selected first?

- A. The route with the lowest Origin.
- B. The route with the shortest AS Path.
- C. The route received from the lowest peer IP address.
- D. The route with the lowest MED.

Answer: B ([LEAVE A REPLY](#))

NEW QUESTION: 45

Which of the following is NOT a viable option when implementing inter-AS VPRN?

- A. An MP-eBGP session between ASBRs to exchange labeled IPv4 routes.

- B. An MP-eBGP session between ASBRs to exchange VPN-IPv4 routes.
- C. An eBGP session between ASBRs to exchange IPv4 routes.
- D. An MP-eBGP session between route reflectors in different autonomous systems to exchange IPv4 routes.

Answer: D ([LEAVE A REPLY](#))

NEW QUESTION: 46

To enable full spoke-to-spoke connectivity for the CE hub and spoke VPRN, on which router(s) should the displayed static-route be configured?

- A. PE2 and PE3
- B. PE1
- C. CE1
- D. CE2 and CE3

Answer: A ([LEAVE A REPLY](#))

Valid 4A0-106 Dumps shared by TrainingQuiz.com for Helping Passing 4A0-106 Exam! TrainingQuiz.com now offer the **newest 4A0-106 exam dumps**, the TrainingQuiz.com 4A0-106 exam **questions have been updated** and **answers have been corrected** get the **newest** TrainingQuiz.com 4A0-106 dumps with Test Engine here:
<https://www.trainingquiz.com/4A0-106-practice-quiz.html> (215 Q&As Dumps, **40%OFF Special Discount: Exam-Tests**)

NEW QUESTION: 47

A customer has two sites connected to PE-1 and a third site dual-homed to PE-2 and PE-3. If BGP is used as the PE-CE protocol, what is the total number of BGP and MP-BGP sessions required on PE-1 for a functional VPRN service? Assume that route reflection is not used.

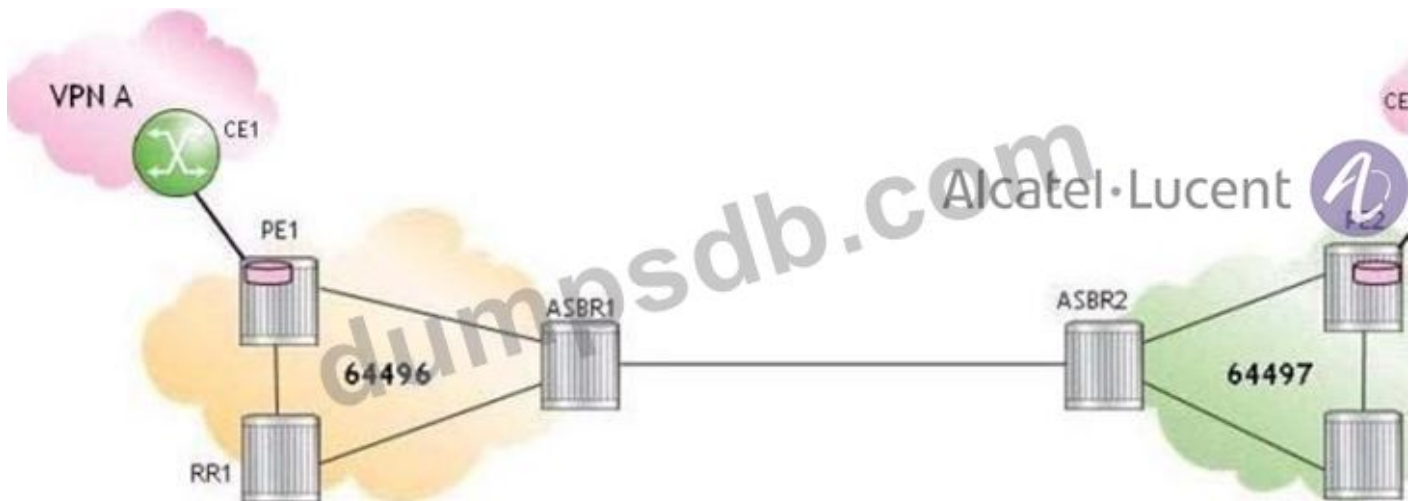
- A. 0 BGP and 2 MP-BGP sessions
- B. 2 BGP and 0 MP-BGP sessions
- C. 2 BGP and 1 MP-BGP sessions
- D. 2 BGP and 2 MP-BGP sessions
- E. 1 BGP and 2 MP-BGP sessions

Answer: D ([LEAVE A REPLY](#))

Section: Volume A

NEW QUESTION: 48

Click the exhibit.



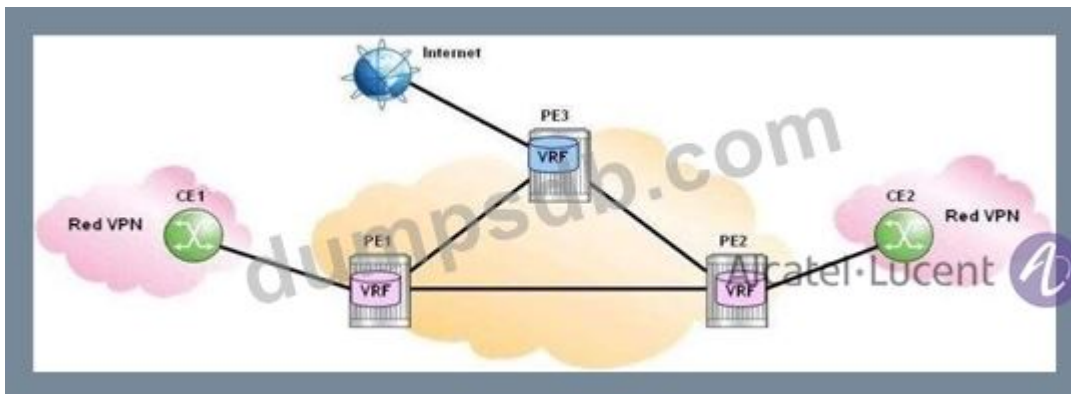
For the inter-AS model C VPRN, how many labels does PE1 push on a data packet received from CE1 and destined to CE2?

- A. 2
- B. 1
- C. 4
- D. 3

Answer: D ([LEAVE A REPLY](#))

NEW QUESTION: 49

Click the exhibit.



PE3 learns Internet routes via its VRF interface to the Internet peering router and stores them in its Internet VRF. CE1 is connected to the Red VPN and requires Internet access via its Red VRF interface. Which of the following statements do not fulfill this requirement?

- A. PE1 advertises the Red VPN routes and a default route to PE3.
- B. The Internet VRF on PE3 imports the Red VPN routes advertised by PE1.
- C. PE1 imports all Internet routes and advertises them to CE1 via the Red VRF.
- D. PE3 advertises a default route from its Internet VRF instead of advertising all Internet routes.

Answer: A ([LEAVE A REPLY](#))

Section: Volume A

NEW QUESTION: 50

In the output from an Alcatel-Lucent 7750 SR shown below, what does the highlighted text represent?

```
A:PE-1# show router bgp routes
=====
BGP Router ID : 10.10.10.10      AS : 65100      Local AS : 65100
=====
Legend -
Status codes : u - used, s - suppressed, h - history, d - decayed, * - valid
Origin codes : i - IGP, e - EGP, ? - incomplete, > - best
=====
BGP Routes
=====
Flag  Network                Nexthop      LocalPref  MED
     VPN Label            As-Path
-----
u*>? 65100:10:10.1.2.0/24    10.10.10.50  100        none
     131071                No As-Path
u*>? 65100:10:10.10.10.78/32 10.10.10.50  100        none
     131071                No As-Path
u*>i 65100:10:10.32.1.0/24   10.10.10.50  100        none
     131071                No As-Path
```

- A. The LDP identifier
- B. The Service identifier
- C. The Route Target
- D. The Route Distinguisher
- E. The tunnel label

Answer: D (LEAVE A REPLY)

Section: Volume A

NEW QUESTION: 51

For a Carrier Supporting Carrier (CSC) VPRN where the customer carrier is an ISP that provides Internet connectivity to its end-customers, which of the following is FALSE?

- A. The customer carrier network can be a pure IP network.
- B. A CSC VPRN is configured on the CSC-CE to forward data packets to the network provider.
- C. Customer carrier PE routers residing in different sites must run iBGP between them to exchange customers' routes.
- D. MPLS can be used in the customer carrier network to improve scalability.

Answer: B (LEAVE A REPLY)

NEW QUESTION: 52

Which of the following about the configuration of VPRN Outbound Route Filtering (ORF on an Nokia 7750 SR is TRUE?

- A. When sending is enabled, the ORF function takes the route target list configured in all outbound policies and pushes this list to the peer by default.
- B. The ORF configuration must be done under the BGP neighbor context only.

C. When configuring ORF, the session with the peer must be cleared/reset for the new capability negotiation to take place.

D. When Outbound Route Filtering is configured, both the sending and acceptance of ORF are enabled by default.

Answer: C ([LEAVE A REPLY](#))

NEW QUESTION: 53

A service provider core consists of 6 PE and 4 P routers. Assuming route reflection is not used, how many internal BGP sessions are required in the service provider network for a correct operation of VPRN services?

- A. 45
- B. 5
- C. 30
- D. 1
- E. 15

Answer: E ([LEAVE A REPLY](#))

NEW QUESTION: 54

Click the exhibit.

```
A:CE-1# show router bgp routes
-----
BGP Router ID : 10.10.10.76      AS : 65200      Local AS : 65200
-----
Legend -
Status codes : u - used, s - suppressed, h - history, d - decayed, * - valid
Origin codes : i - IGP, e - EGP, ? - incomplete, > - best
-----
BGP Routes
-----
Flag  Network      Nexthop      LocalPref  MED
   VPN Label
-----
u*>? 10.1.2.0/24    10.16.1.1   none       none
      65100 65100
u*>? 10.10.10.78/32 10.16.1.1   none       none
      65100 65100
u*>i 10.32.1.0/24   10.16.1.1   none       none
      65100
```

Assuming that the as-override command is used, what is the most likely location of prefix 10.1.2.0/24?

- A. The prefix is located in an Autonomous System directly connected to this router.
- B. The prefix is located in Autonomous System 65100.
- C. There is a single Autonomous System between the local AS and the AS that originated the prefix.

D. There are two Autonomous Systems between the local AS and the AS that originated the prefix.

Answer: ([SHOW ANSWER](#))

NEW QUESTION: 55

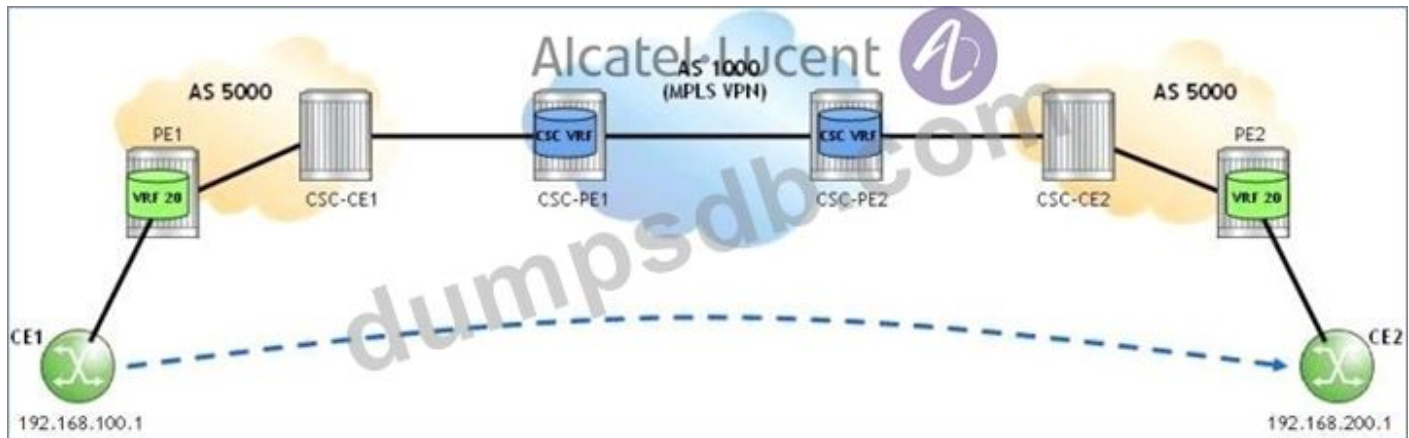
Which of the following protocols does the Nokia 7750 SR support to signal VPRN service labels?

- A. BGP
- B. RSVP-TE
- C. Targeted-LDP
- D. MP-BGP

Answer: ([SHOW ANSWER](#))

NEW QUESTION: 56

Click the exhibit.



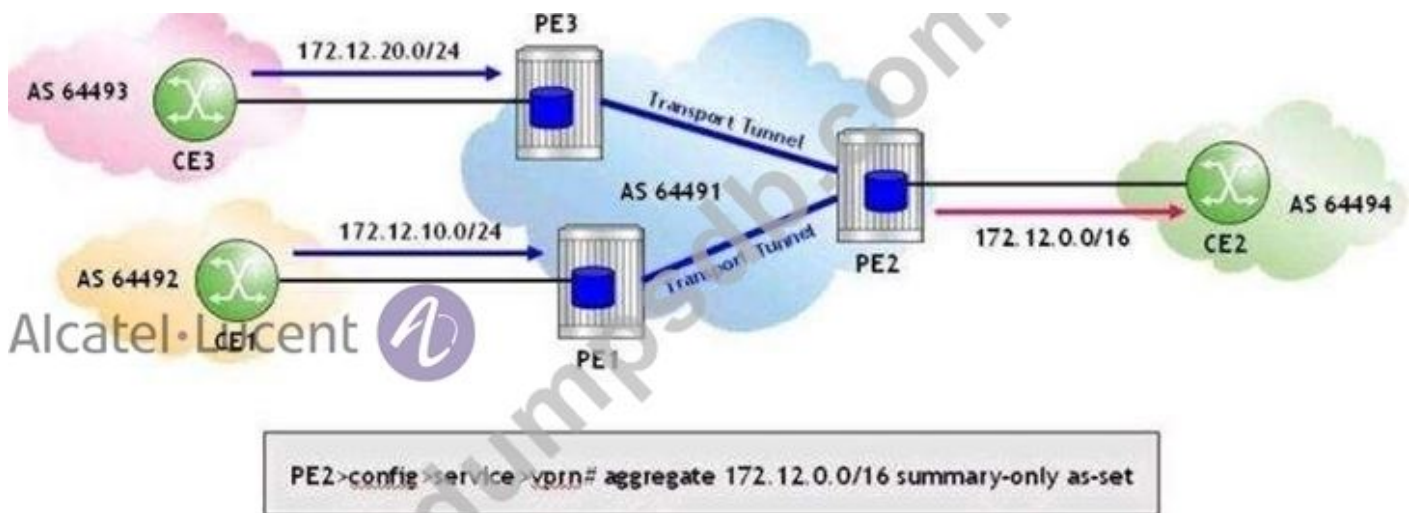
A Carrier Supporting Carrier (CSC) VPRN is configured for a customer carrier who is a BGP/MPLS service provider. If CE1 sends an IP packet to 192.168.200.1, which of the following is FALSE?

- A. CSC-CE1 pops the LDP label and swaps the BGP label.
- B. PE1 pushes two labels on the IP packet: a BGP label and an LDP transport label.
- C. CE1 forwards the data packet to PE1 via the VPRN 20 interface.
- D. CSC-PE1 pops the BGP label and pushes a VPN label and an MPLS transport label.

Answer: B ([LEAVE A REPLY](#))

NEW QUESTION: 57

Click the exhibit.



If the displayed command is executed, what is the correct value of AS-Path in the BGP route 172.12.0.0/16 advertised by PE2?

- A. 64491 {64492 64493}
- B. 64491
- C. 64492 64493 64491
- D. {64492 64493}64491

Answer: ([SHOW ANSWER](#))

Section: Volume B

NEW QUESTION: 58

For a Carrier Supporting Carrier (CSC) VPRN where the customer carrier is an ISP that provides Internet connectivity to its end-customers, which of the following is FALSE?

- A. Customer carrier PE routers residing in different sites must run iBGP between them to exchange customers' routes.
- B. MPLS can be used in the customer carrier network to improve scalability.
- C. The customer carrier network can be a pure IP network.
- D. A CSC VPRN is configured on the CSC-CE to forward data packets to the network provider.

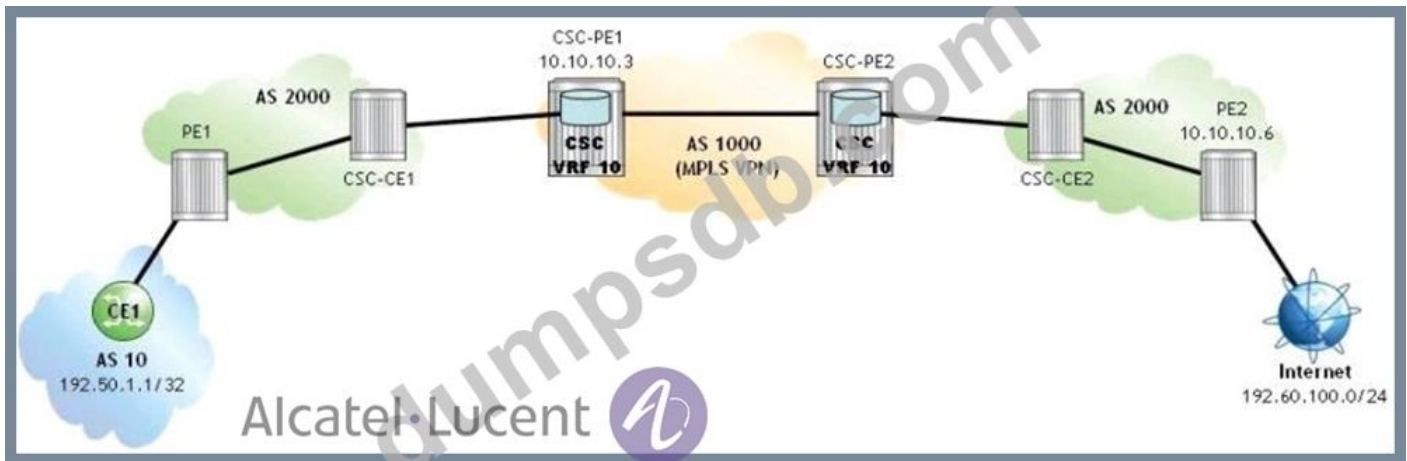
Answer: ([SHOW ANSWER](#))

Section: Volume B

Explanation/Reference:

NEW QUESTION: 59

Click the exhibit.



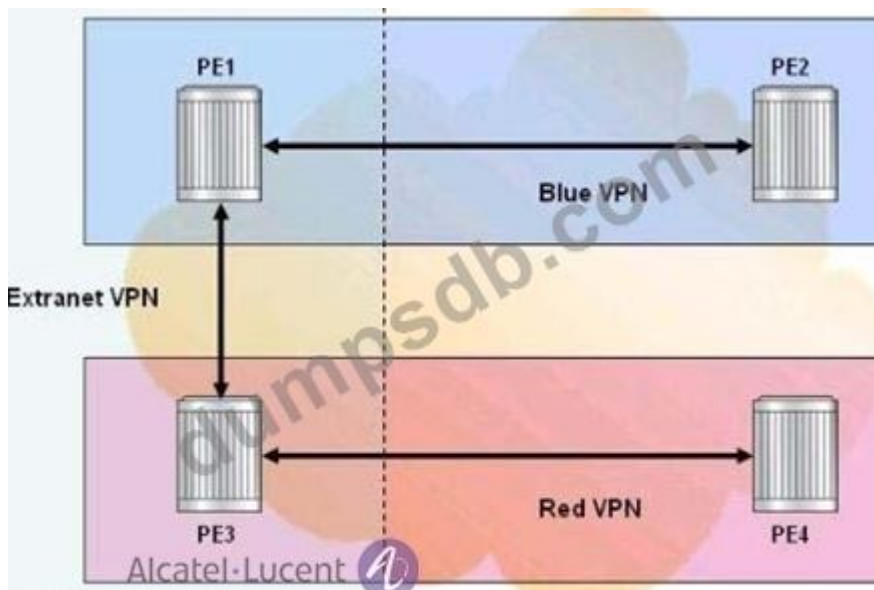
A Carrier Supporting Carrier (CSC) VPRN is configured for a customer carrier who is an Internet Service Provider (ISP). Which route is NOT present in PE1's global routing table?

- A. 10.10.10.3
- B. 10.10.10.6
- C. 192.50.1.1
- D. 192.60.100.0

Answer: A ([LEAVE A REPLY](#))

NEW QUESTION: 60

Click the exhibit.



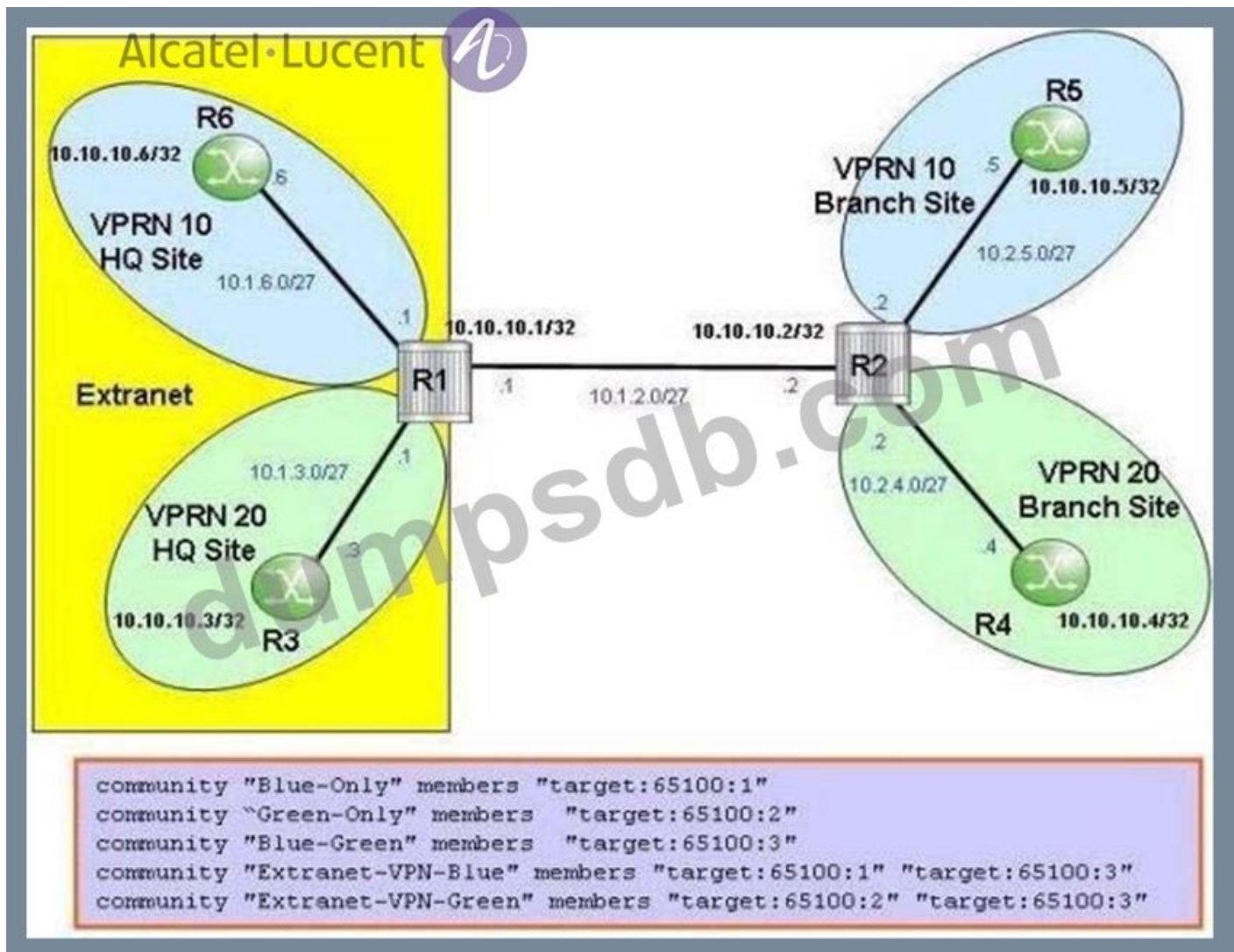
How many route targets and route distinguishers are required to implement the extranet VPRN?

- A. Five route targets and three route distinguishers
- B. Five route targets and two route distinguishers
- C. Three route targets and three route distinguishers
- D. Three route targets and two route distinguishers

Answer: D ([LEAVE A REPLY](#))

NEW QUESTION: 61

Click the exhibit.



The headquarter sites of VPRN 10 and VPRN 20 are part of an extranet VPRN. Which route targets should be exported under the VPRN 20 service on router R1?

- A. Target:65100:2 and target:65100:3
- B. Target:65100:1 and target:65100:2
- C. Target:65100:1 and target:65100:3
- D. Target:65100:1, target:65100:2 and target:65100:3

Answer: ([SHOW ANSWER](#))

Valid 4A0-106 Dumps shared by TrainingQuiz.com for Helping Passing 4A0-106 Exam!

TrainingQuiz.com now offer the **newest 4A0-106 exam dumps**, the TrainingQuiz.com 4A0-106 exam **questions have been updated** and **answers have been corrected** get the **newest** TrainingQuiz.com 4A0-106 dumps with Test Engine here:

<https://www.trainingquiz.com/4A0-106-practice-quiz.html> (215 Q&As Dumps, **40%OFF** Special

Discount: **Exam-Tests**)

NEW QUESTION: 62


```

community "Customer 1" members "target:65100:2"
community "Customer 1 and 2" members "target:65100:3"
prefix-list "Internal"
  prefix 10.1.1.0/24 longer
exit
policy-statement "Sample Policy"
  entry 10
    from
      community "Customer 1"
    exit
    action accept
    exit
  exit
  entry 20
    from
      community "Customer 1 and 2"
    exit
    action accept
    exit
  exit
  entry 30
    from
      prefix-list Internal
    exit
    action accept
    exit
  exit
exit

```

The policy shown is configured on an Alcatel-Lucent 7750 SR to implement an extranet VPRN between the main sites of two separate VPRNs. Route target "target:65100:2" is used for Customer 1 routes, and route target "target:65100:3" is used for Extranet routes. How should this policy be applied?

- A. The policy should be applied as an import policy on the PE connected to the main site of Customer 1.
- B. The policy should be applied as an import policy on all the PEs connected to the sites of Customer 1.
- C. The policy should be applied as an export policy on the PE connected to the main site of Customer 1.
- D. The policy should be applied as an export policy on all the PEs connected to the sites of Customer 1.

Answer: ([SHOW ANSWER](#))

Section: Volume A

NEW QUESTION: 65

Which of the following VPRN label allocation methods are supported by the Nokia 7750 SR?

- A. B and C

- B. All of the above
- C. One label per VRF per route
- D. A and C
- E. One label per VRF per next-hop
- F. One label per VRF

Answer: A ([LEAVE A REPLY](#))

NEW QUESTION: 66

Click the exhibit.

The exhibit displays four configuration snippets labeled A, B, C, and D, each showing the configuration for VPRN 1 on PE3. The snippets are as follows:

- A.**

```
PE3# configure service vprn 1
  gri-lookup
    enable-gri
    static-route 0.0.0.0/0 gri
  exit
exit
```
- B.**

```
PE3# configure service vprn 1
  gri-lookup
    static-route 0.0.0.0/0 gri
  exit
exit
```
- C.**

```
PE3# configure service vprn 1
  gri-lookup
    static-route 0.0.0.0/0
  enable-gri
  exit
exit
```
- D.**

```
PE3# configure service vprn 1
  enable-gri
  static-route 0.0.0.0/0 gri
  exit
exit
```

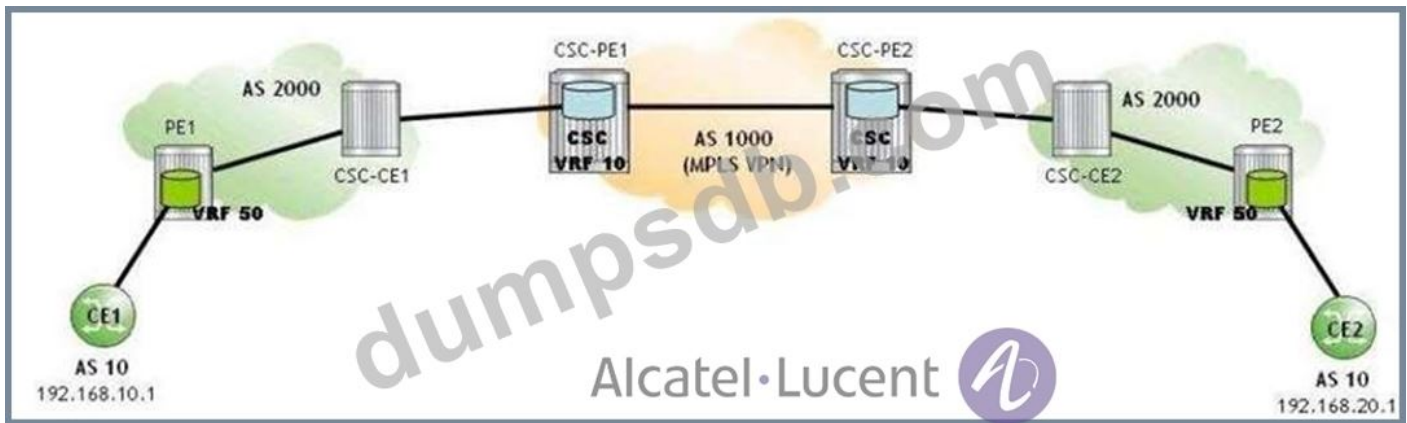
When configuring the double lookup functionality, which configuration forces the global routing table to be consulted for any packet matching the VPRN default route?

- A. A
- B. C
- C. D
- D. B

Answer: A ([LEAVE A REPLY](#))

NEW QUESTION: 67

Click the exhibit.



A Carrier Supporting Carrier (CSC) VPRN is configured for a customer carrier who is a BGP/MPLS service provider. Which of the following describes the routes present in PE1's global routing table?

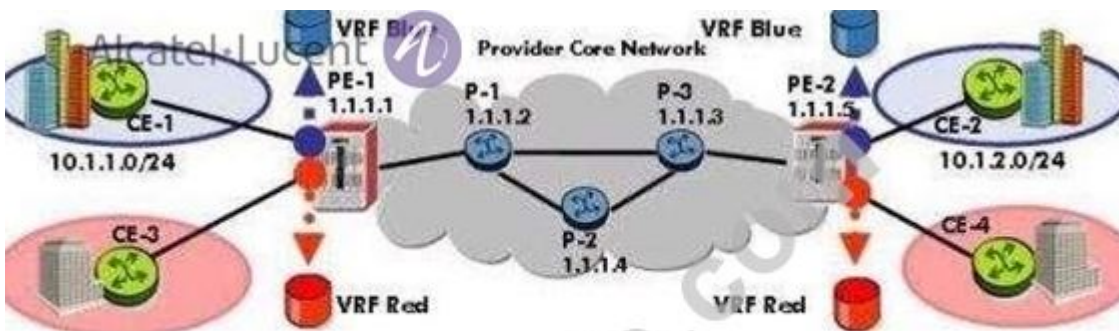
- A. The system address of PE2 is present. The system addresses of CSC-PE1 and CSC-PE2 are not present.
- B. The system addresses of PE2, CSC-PE1 and CSC-PE2 are all present.
- C. The system address of CSC-CE1, the route 192.168.10.1, and the route 192.168.20.1 are all present.
- D. The system address of PE2 and the route 192.168.20.1 are present.

Answer: A (LEAVE A REPLY)

Section: Volume B

NEW QUESTION: 68

Click the exhibit.



```

PE-2# show router mpls label in-use 32 131071

=====
MPLS Labels from 32 to 131071 (In-use)
=====
Label                Label Type      Label Owner
-----
131070                dynamic         VPRN
131071                dynamic         RSVP
=====

In-use labels (Owner: All) in specified range : 2
In-use labels in entire range                 : 2
=====

PE-2#
  
```

Which of the following best describes the output from the Alcatel-Lucent 7750 SR?

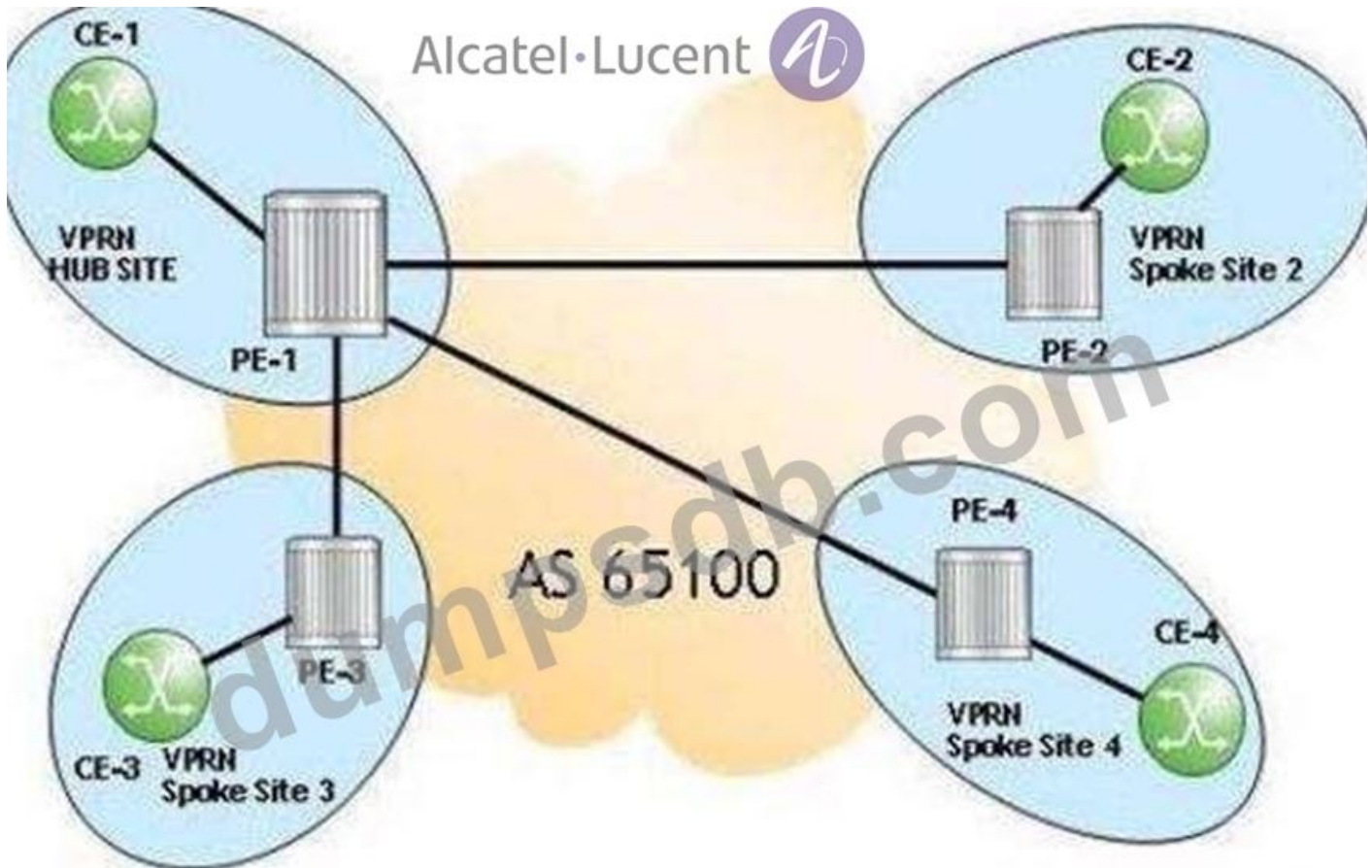
- A. RSVP-TE has signaled a VPRN label.
- B. RSVP-TE has signaled both VPRN and LSP labels.
- C. MP-BGP has signaled both VPRN and LSP labels.
- D. MP-BGP has signaled a VPRN label.

Answer: ([SHOW ANSWER](#))

Section: Volume B

NEW QUESTION: 69

Click the exhibit.



```
community "Hub_Site" members "target:65100:1"
community "Spoke_Sites" members "target:65100:2"
```

For the PE hub and spoke VPRN, which communities should be imported under the VPRN service on PE2?

- A. "Spoke.Sites" and "Hub_Site"
- B. "Hub_Site"
- C. "Spoke_Sites"
- D. No communities should be imported

Answer: B ([LEAVE A REPLY](#))

Section: Volume B

NEW QUESTION: 70

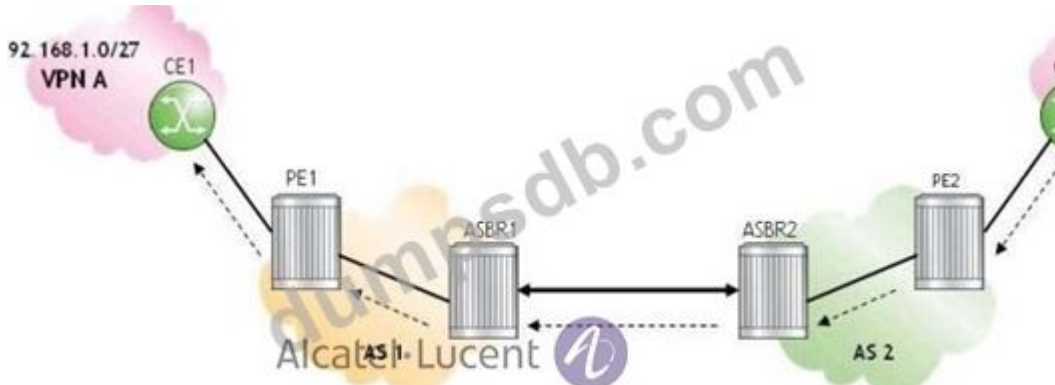
Which of the following protocols are supported by the Alcatel-Lucent 7750 SR for the creation of transport tunnels within an autonomous system?

- A. MP-BGP, RSVP-TE, GRE
- B. LDP, RSVP-TE, GRE
- C. MP-BGP, LDP, RSVP-TE
- D. MP-BGP only
- E. MP-BGP, LDP

Answer: ([SHOW ANSWER](#))

NEW QUESTION: 71

Click the exhibit.



For the inter-AS model A VPRN, which of the following is FALSE when CE2 sends an IP packet to

192.168.1.1?

- A. ASBR1 pushes two labels on the IP packet and label-switches the packet to PE1.
- B. CE2 forwards an unlabeled IP packet to PE2 via the VPRN interface.
- C. PE2 pushes two labels on the IP packet and label-switches the packet to ASBR2.
- D. ASBR2 pops one label from the IP packet and label-switches it to ASBR1.

Answer: ([SHOW ANSWER](#))

NEW QUESTION: 72

Based on the VPRN BGP decision process, which of the following routes is selected first if the command

"PE1>config>service>vprn> bgp best-path-selection as-path-ignore" is executed?

- A. The route with the lowest originator ID or BGP Identifier.
- B. The route learned from an eBGP peer.
- C. The route with the shortest AS path.
- D. The route with the lowest Origin.

Answer: D ([LEAVE A REPLY](#))

NEW QUESTION: 73

Click the exhibit.

```

policy-statement "VPRN_Policy"
  entry 10
    from
      protocol ospf
    exit
  protocol bgp-vpn
  exit
  action accept
  exit
exit
exit

```

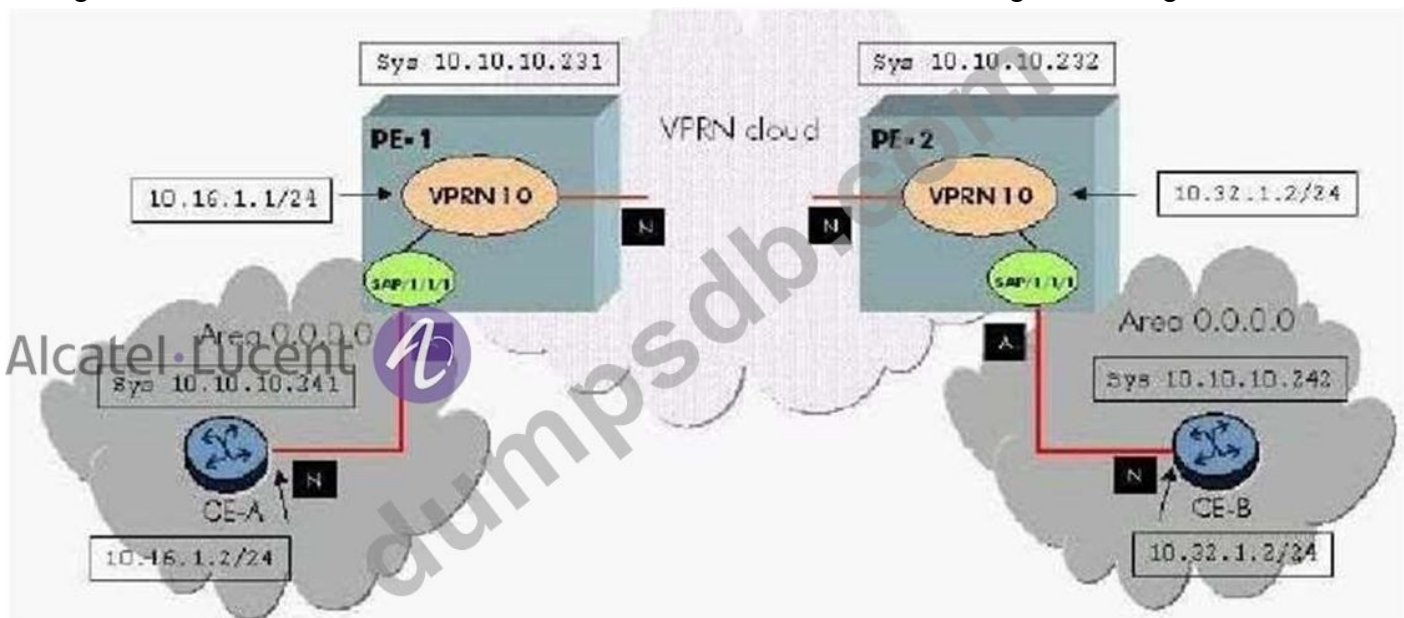
When configuring a VPRN service on an Alcatel-Lucent 7750 SR, where should the policy be applied?

- A. On the CE under the OSPF context
- B. On the PE under the BGP context
- C. This policy is not required.
- D. On the CE under the BGP context
- E. On the PE under the OSPF context

Answer: C (LEAVE A REPLY)

NEW QUESTION: 74

It is required to prepare the provider core for LDP on an Alcatel-Lucent 7750 SR. Based on the configuration shown below, choose the answer that best describes the given configuration.



- A. This configuration is correct and complete
- B. This configuration is correct except that the system interface must be added
- C. This configuration is correct except that the interfaces facing the CE routers must be added.
- D. MPLS configuration is not required

Answer: D (LEAVE A REPLY)

Section: Volume A

NEW QUESTION: 75

In a provider core consisting of 6 PE and 4 P routers, what is the minimum number of BGP sessions required in total for correct operation of VPRN services?

- A. 0
- B. 5
- C. 10
- D. 15
- E. 45

Answer: D ([LEAVE A REPLY](#))

Section: Volume A

NEW QUESTION: 76

Which of the following about inter-AS model B VPRN is FALSE?

- A. Model B does not require the configuration of VPRN instances on ASBRs.
- B. The ASBRs peer with each other to transport VPN-IPv4 routes between autonomous systems.
- C. PE routers distribute VPN-IPv4 routes to their local ASBR.
- D. One single ASBR is required in each AS to hold the routes for all VPRNs.

Answer: D ([LEAVE A REPLY](#))

Section: Volume B

Valid 4A0-106 Dumps shared by TrainingQuiz.com for Helping Passing 4A0-106 Exam! TrainingQuiz.com now offer the **newest 4A0-106 exam dumps**, the TrainingQuiz.com 4A0-106 exam **questions have been updated** and **answers have been corrected** get the **newest** TrainingQuiz.com 4A0-106 dumps with Test Engine here:
<https://www.trainingquiz.com/4A0-106-practice-quiz.html> (215 Q&As Dumps, **40%OFF Special Discount: Exam-Tests**)

NEW QUESTION: 77

Which of the following about BGP loops in a VPRN environment is TRUE?

- A. Traditional BGP loop detection mechanisms are unable to detect a loop in a VPRN scenario.
- B. When "remove-private" is configured at a PE, all routes received from the associated CE will have private AS numbers removed.
- C. BGP loops are detected in a VPRN when the customer has separate sites using the same BGP autonomous system number.
- D. The Alcatel-Lucent 7750 SR rejects routes containing AS_PATH loops by default.

Answer: C ([LEAVE A REPLY](#))

NEW QUESTION: 78

Which of the following is not an available option for Route Distinguisher assignment?

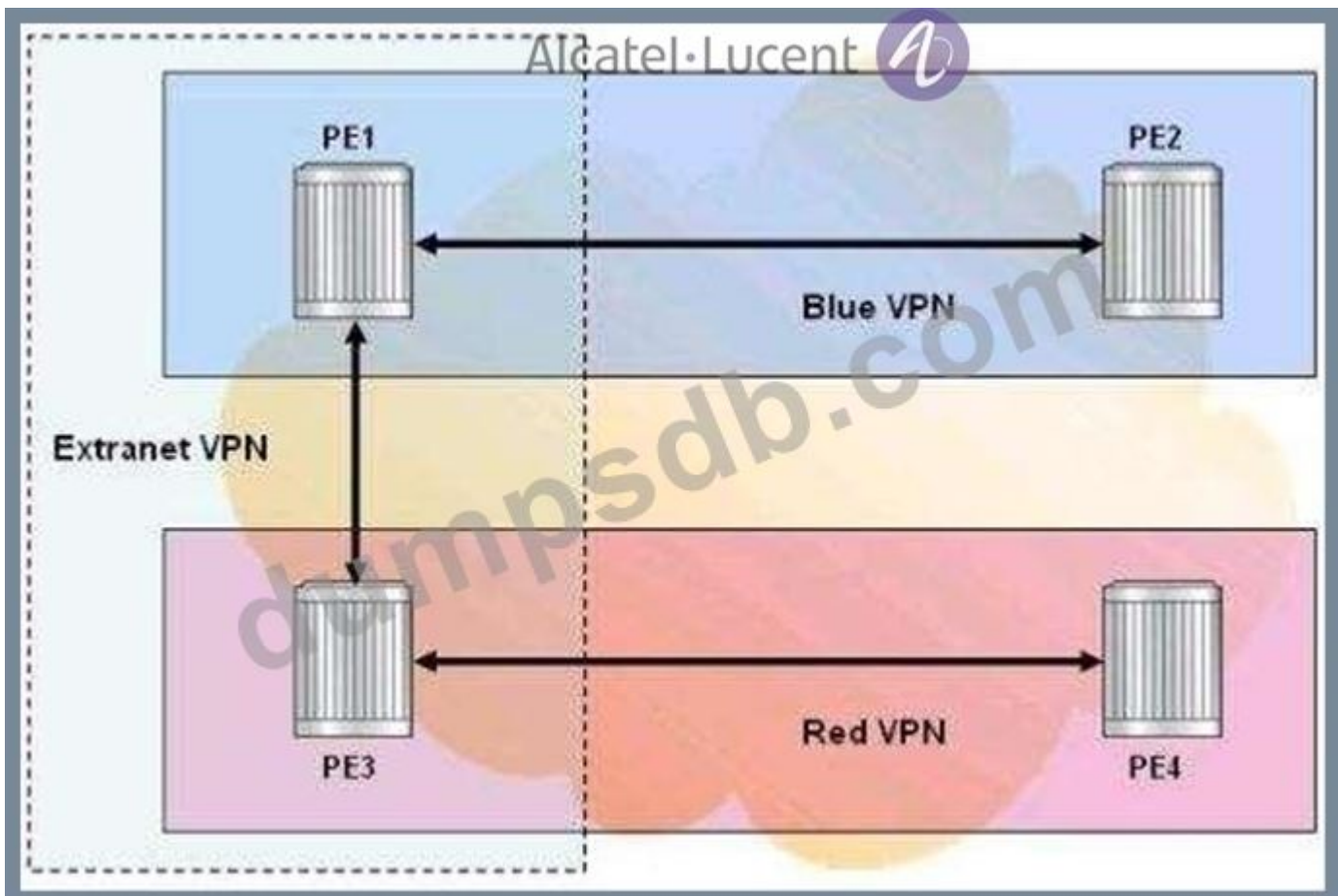
- A. One Route Distinguisher per VRF route
- B. One Route Distinguisher per VRF
- C. One Route Distinguisher per VRF per site
- D. One Route Distinguisher per VPN

Answer: ([SHOW ANSWER](#))

Section: Volume A

NEW QUESTION: 79

Click the exhibit.



How many route targets and route distinguishers are required to implement the extranet VPRN?

- A. Three route targets and three route distinguishers
- B. Five route targets and three route distinguishers
- C. Three route targets and two route distinguishers
- D. Five route targets and two route distinguishers

Answer: C ([LEAVE A REPLY](#))

Section: Volume B

NEW QUESTION: 80

Which of the following about a full mesh VPRN design is FALSE?

- A. Each customer site has a logically direct route to every other customer site.

- B. It provides optimal routing between all sites.
- C. It allows access between all CE devices and all sites participating in the same VRF.
- D. It requires a full BGP mesh in the provider core.

Answer: D (LEAVE A REPLY)

Section: Volume B

NEW QUESTION: 81

For a Carrier Supporting Carrier (CSC) VPRN where the customer carrier is an ISP that provides Internet connectivity to its end-customers, which of the following is TRUE?

- A. The customer carrier network must be MPLS-enabled.
- B. VPRN instances are created on the CSC-CE routers.
- C. All traffic exchanged between end-customers is carried over a single CSC VRF.
- D. Customer carrier PEs residing in different sites must run MP-iBGP between them to exchange customers' routes.

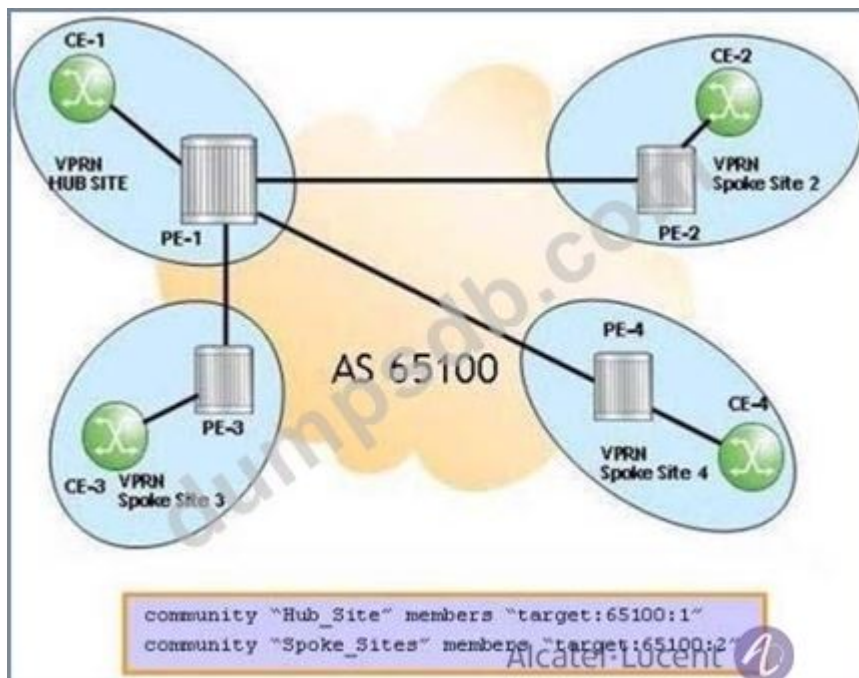
Answer: C (LEAVE A REPLY)

Section: Volume B

Explanation/Reference:

NEW QUESTION: 82

Click the exhibit.



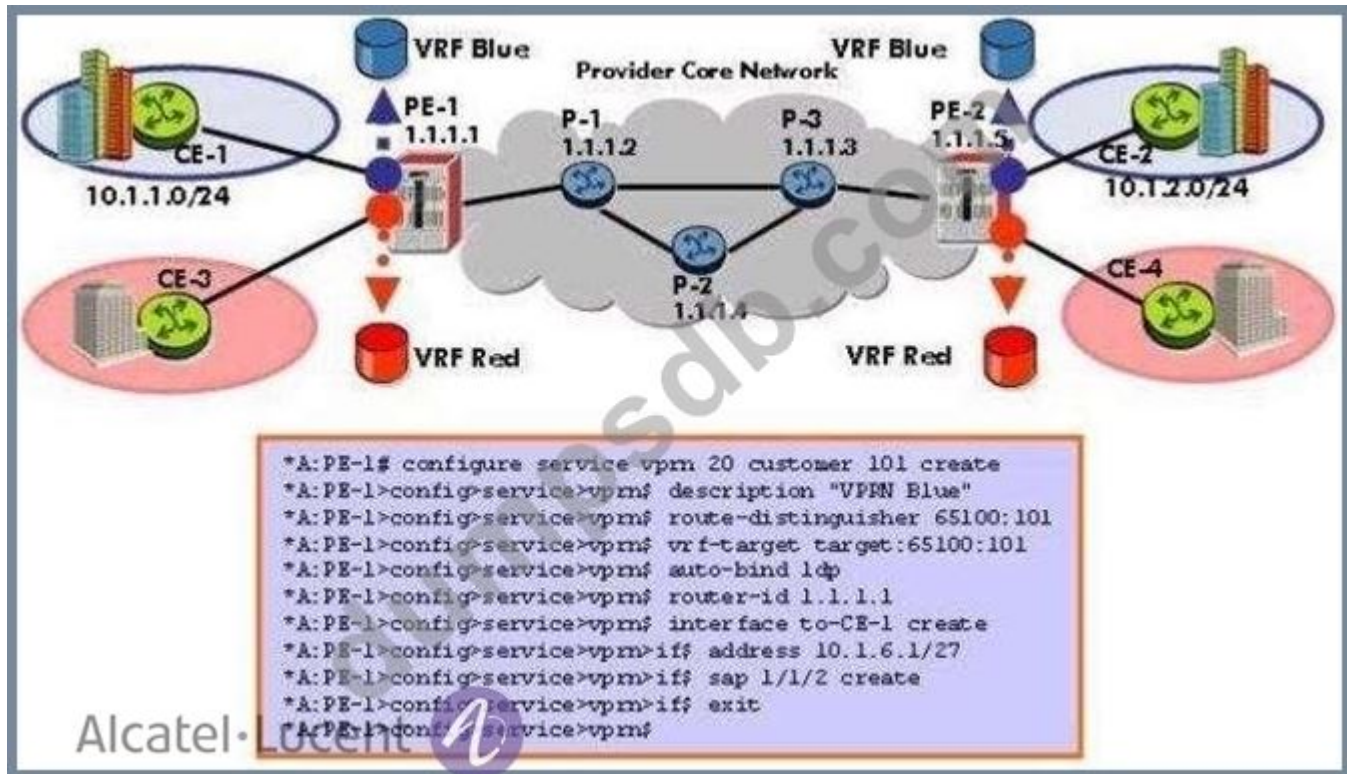
Community lists are configured for the PE hub and spoke VPRN. Which communities should be exported by the VPRN service on PE1?

- A. "Spoke_Sites"
- B. No communities should be exported
- C. "Hub_Site"
- D. "Spoke.Sites" and "Hub_Site"

Answer: C (LEAVE A REPLY)

NEW QUESTION: 83

Click the exhibit.



What is wrong with the VPRN configuration applied on this Alcatel-Lucent 7750 SR?

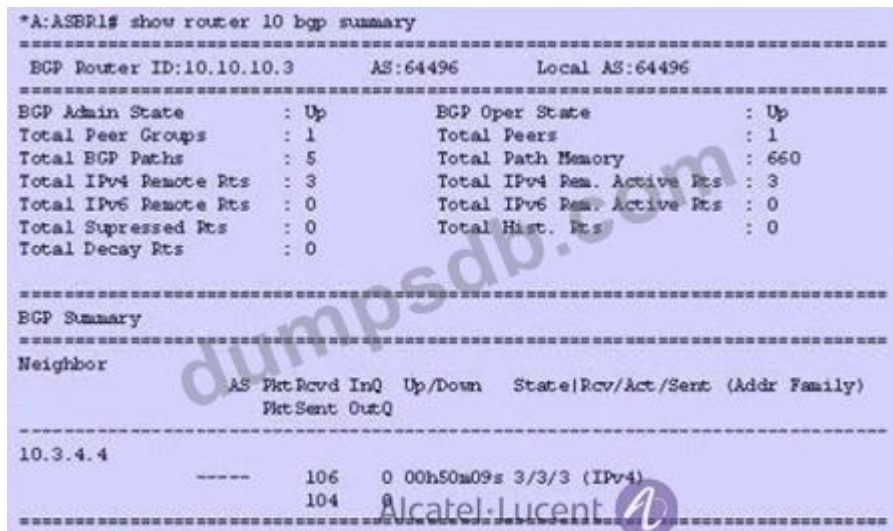
- A. The VPRN ID must match the value used in the vrf-target command.
- B. The VPRN ID must match the value used in the route-distinguisher command.
- C. The router-id command should not be used in this context.
- D. The "no shutdown" command must be configured for the VPRN to be operationally UP.

Answer: D (LEAVE A REPLY)

Section: Volume B

NEW QUESTION: 84

Click the exhibit.



The displayed output is from an ASBR supporting an inter-AS model A VPRN. Which of the following statements about this output is TRUE?

- A. The neighbor shown is an ASBR router.
- B. The omitted AS number under "BGP summary" must be equal to 64496.
- C. The neighbor address cannot be the interface address 10.3.4.4.
- D. The address family between the peers should be VPN-IPv4 instead of IPv4.

Answer: A (LEAVE A REPLY)

NEW QUESTION: 85

Click the exhibit.

```

*This show router 10 route-table
=====
Route Table (Service: 10)
=====
Dest: Prefix
Next Hop [Interface Name]
-----
10.1.3.0/27
Local VRF [20:toR3]
10.1.6.0/27
toR6
10.2.5.0/27
10.10.10.2 (tunneled)
192.168.3.1/32
Local VRF [20:toR3]
192.168.5.1/32
10.10.10.2 (tunneled)
192.168.6.1/32
10.1.6.6
-----
No. of Routes: 6
  
```

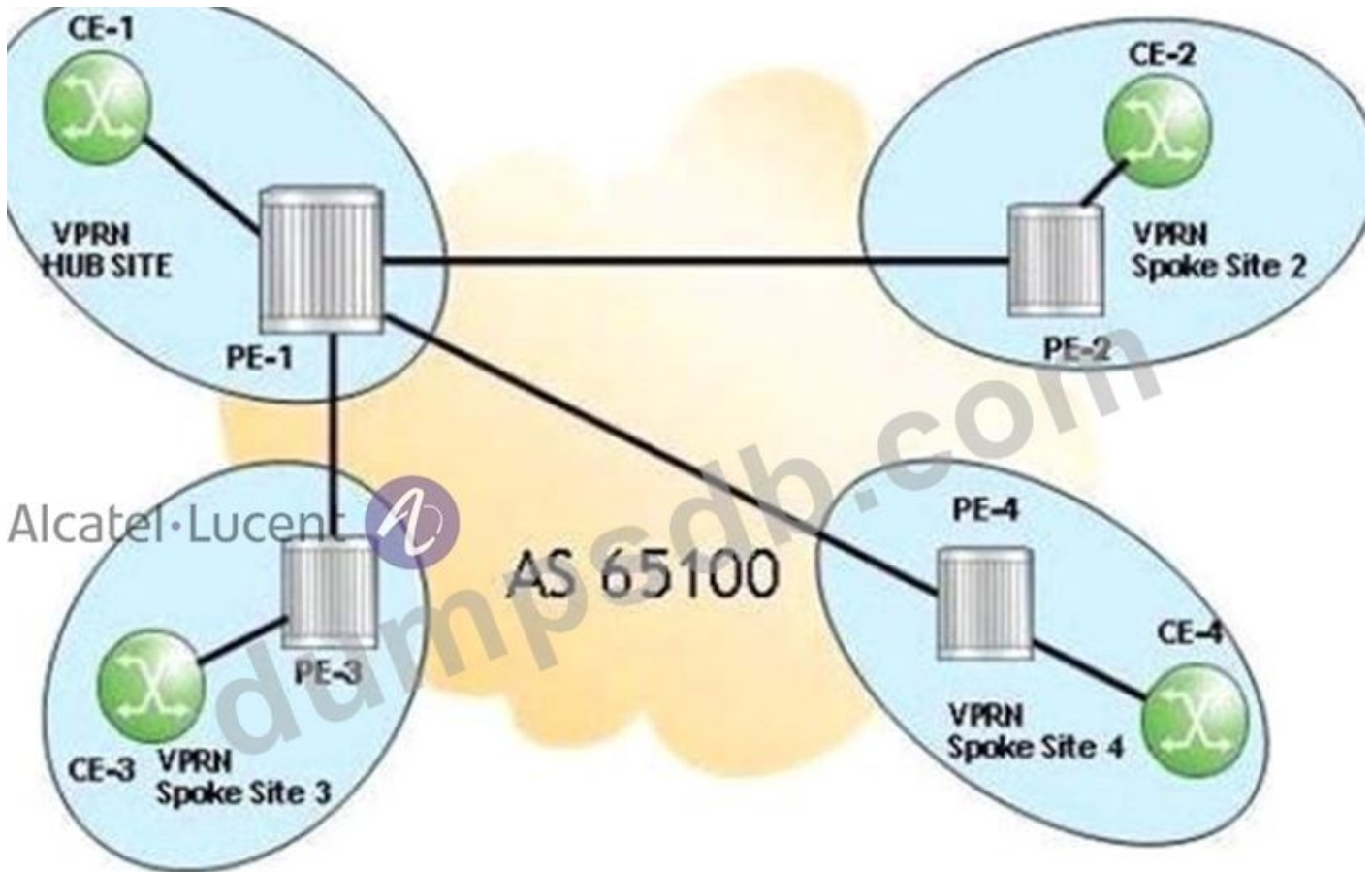
Which VPRN type produces the output shown on router R1?

- A. A full mesh VPRN
- B. APE hub and spoke VPRN
- C. An extranet VPRN
- D. ACE hub and spoke VPRN

Answer: C (LEAVE A REPLY)

NEW QUESTION: 86

Click the exhibit.



```
community "Hub_Site" members "target:65100:1"  
community "Spoke_Sites" members "target:65100:2"
```

For the PE hub and spoke VPRN, which communities should be imported under the VPRN service on PE2?

- A. "Spoke_Sites"
- B. "Spoke.Sites" and "Hub_Site"
- C. "Hub_Site"
- D. No communities should be imported

Answer: C ([LEAVE A REPLY](#))

NEW QUESTION: 87

Which of the following commands may be used on an Alcatel-Lucent 7750 SR to display a network exported locally to BGP on the originating router? (Choose two)

```
community "Customer 1 and 2" members "target:65100:3"
policy-statement "Sample Policy"
  entry 10
    action accept
    community add "Customer 1 and 2"
  exit
exit
exit
policy-statement "Sample Policy 3"
  entry 10
    from
      community "Customer 1 and 2"
    exit
  action accept
  exit
```

- A. Show router bgp routes
- B. Show router bgp routes prefix <prefix>
- C. Show router bgp routes <prefix> self-originated
- D. Show router bgp routes <prefix> hunt
- E. Show router bgp neighbor <neighbor ip> advertised-routes

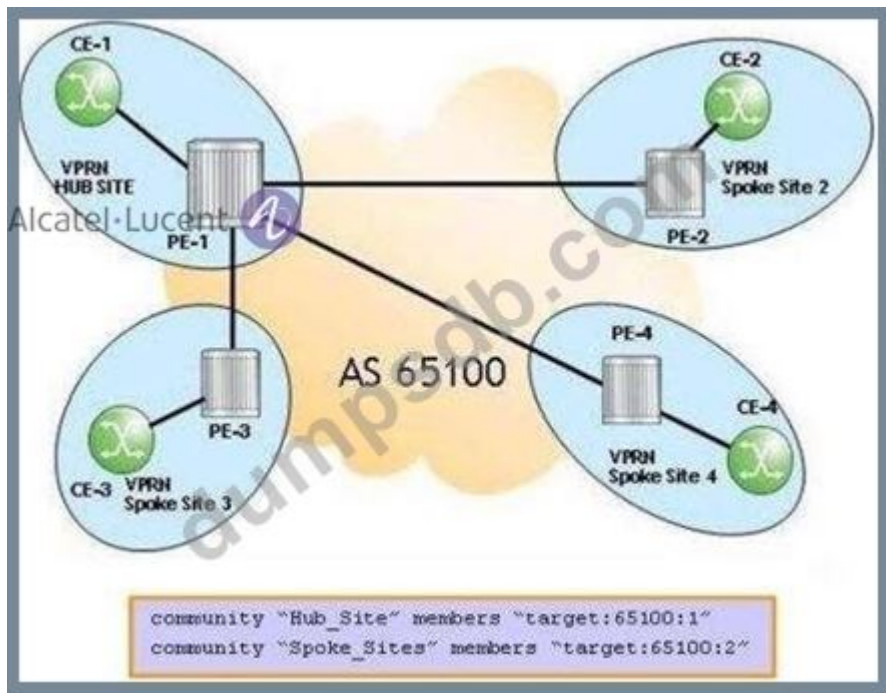
Answer: D,E (LEAVE A REPLY)

Section: Volume A

Explanation

NEW QUESTION: 88

Click the exhibit.



For the PE hub and spoke VPRN, on which PE(s) should the VPRN service command "vrf-target export target:65100:1 import target:65100:2" be configured?

- A. PE1

B. PE2, PE3 and PE4

C. PE1, PE2, PE3 and PE4

D. This command is not required for the configuration of this PE hub and spoke VPRN.

Answer: ([SHOW ANSWER](#))

Section: Volume A

NEW QUESTION: 89

In a Carrier Supporting Carrier (CSC) VPRN, which of the following is a benefit to the network provider?

A. No need to build and maintain its own backbone.

B. The solution scales as the number of serviced customer carriers increases.

C. The solution scales as the number of VPNs offered by the customer carriers increases.

D. The ability to manage end-customer services.

Answer: C ([LEAVE A REPLY](#))

Section: Volume A

Explanation

NEW QUESTION: 90

The policies shown below from the configuration of an Alcatel-Lucent 7750 SR have been created to implement an Extranet VPRN between the main sites of two separate VPRNs. How should these policies be applied?

A. ample Policy 3 should be applied as an export policy on both PEs connected to the main site of Customer 1 and the main site of Customer 2

B. ample Policy should be applied as an export policy on all PEs connected to sites of Customer 1

C. ample Policy should be applied as an export policy on both PEs connected to the main site of Customer 1 and the main site of Customer 2

D. ample Policy 3 should be applied as an export policy on the PE connected to the main site of Customer

2

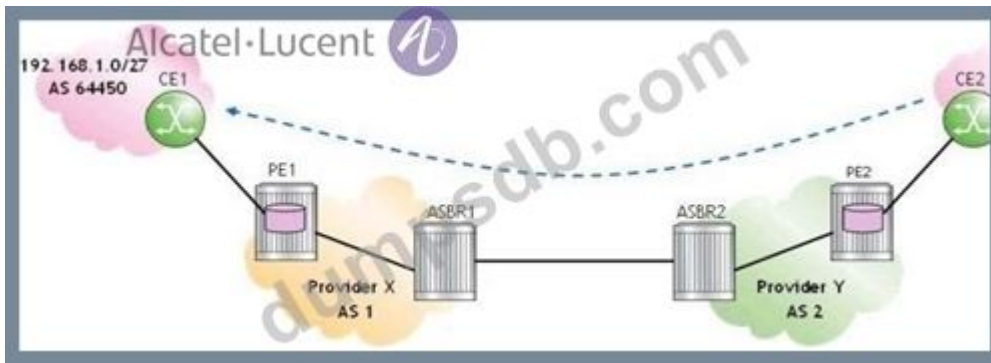
E. ample Policy should be applied as an export policy on the PE connected to the main site of Customer

1

Answer: E ([LEAVE A REPLY](#))

NEW QUESTION: 91

Click the exhibit.



For the inter-AS model B VPRN, which of the following is FALSE when CE2 sends an IP packet to 192.168.1.1?

- A. ASBR1 forwards the IP packet with two labels to PE1
- B. ASBR2 forwards the IP packet with one label to ASBR1.
- C. PE1 forwards an unlabeled IP packet to CE1.
- D. PE2 pushes one label on the IP packet and forwards it to ASBR2.

Answer: ([SHOW ANSWER](#))

Valid 4A0-106 Dumps shared by TrainingQuiz.com for Helping Passing 4A0-106 Exam! TrainingQuiz.com now offer the **newest 4A0-106 exam dumps**, the TrainingQuiz.com 4A0-106 exam **questions have been updated** and **answers have been corrected** get the **newest** TrainingQuiz.com 4A0-106 dumps with Test Engine here:
<https://www.trainingquiz.com/4A0-106-practice-quiz.html> (215 Q&As Dumps, **40%OFF Special Discount: Exam-Tests**)

NEW QUESTION: 92

Which command is used to generate the output from an Alcatel-Lucent 7750 SR shown below?

```
PE-1# configure service VPRN 1
PE-1>config>service>VPRN# shutdown
PE-1>config>service>VPRN# maximum-routes 40 threshold 10
PE-1>config>service>VPRN# no shutdown
PE-1>config>service>VPRN# exit all
```

- A. Show service 3
- B. Show service 3 detail
- C. Show service 3 base
- D. Show service id 3 base
- E. Show service id 3
- F. Show service id 3 detail

Answer: D ([LEAVE A REPLY](#))

NEW QUESTION: 93

Which of the following about the configuration of BGP Site of Origin (SoO) is TRUE?

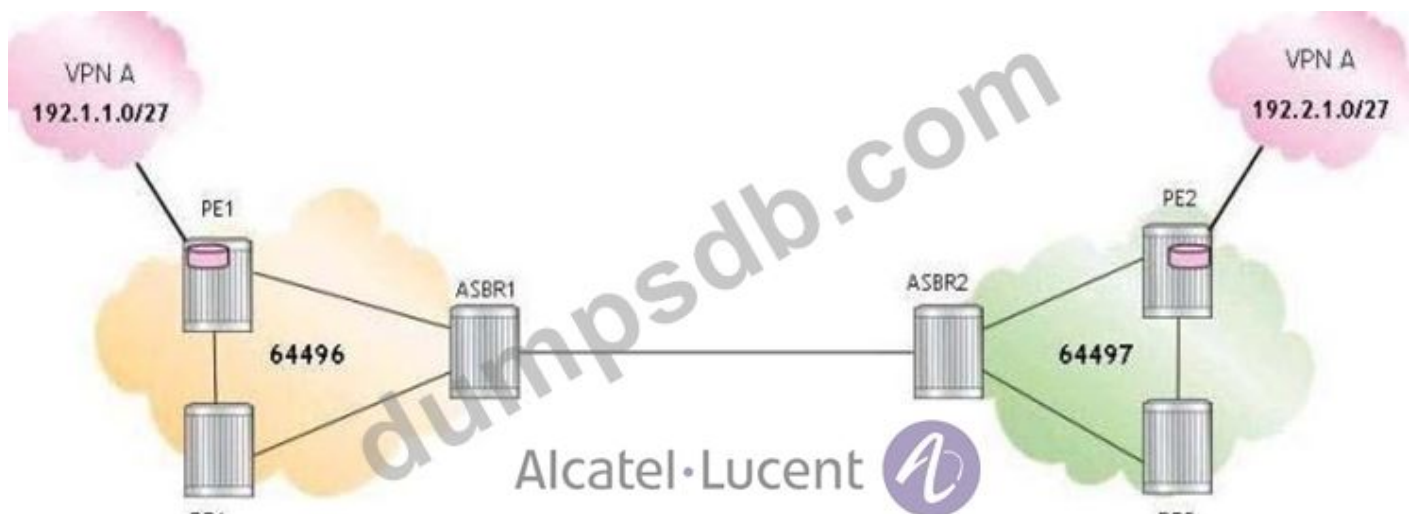
- A. Each PE must implement a policy to apply a unique SoO attribute to the set of routes received from each customer site.
- B. A different BGP extended community is used on each PE that connects to a single site.
- C. An import policy on the PE rejects a route if the attached SoO matches the configured value.
- D. Import and export policies are applied on the PEs under the global BGP context.

Answer: A (LEAVE A REPLY)

Section: Volume B

NEW QUESTION: 94

Click the exhibit.



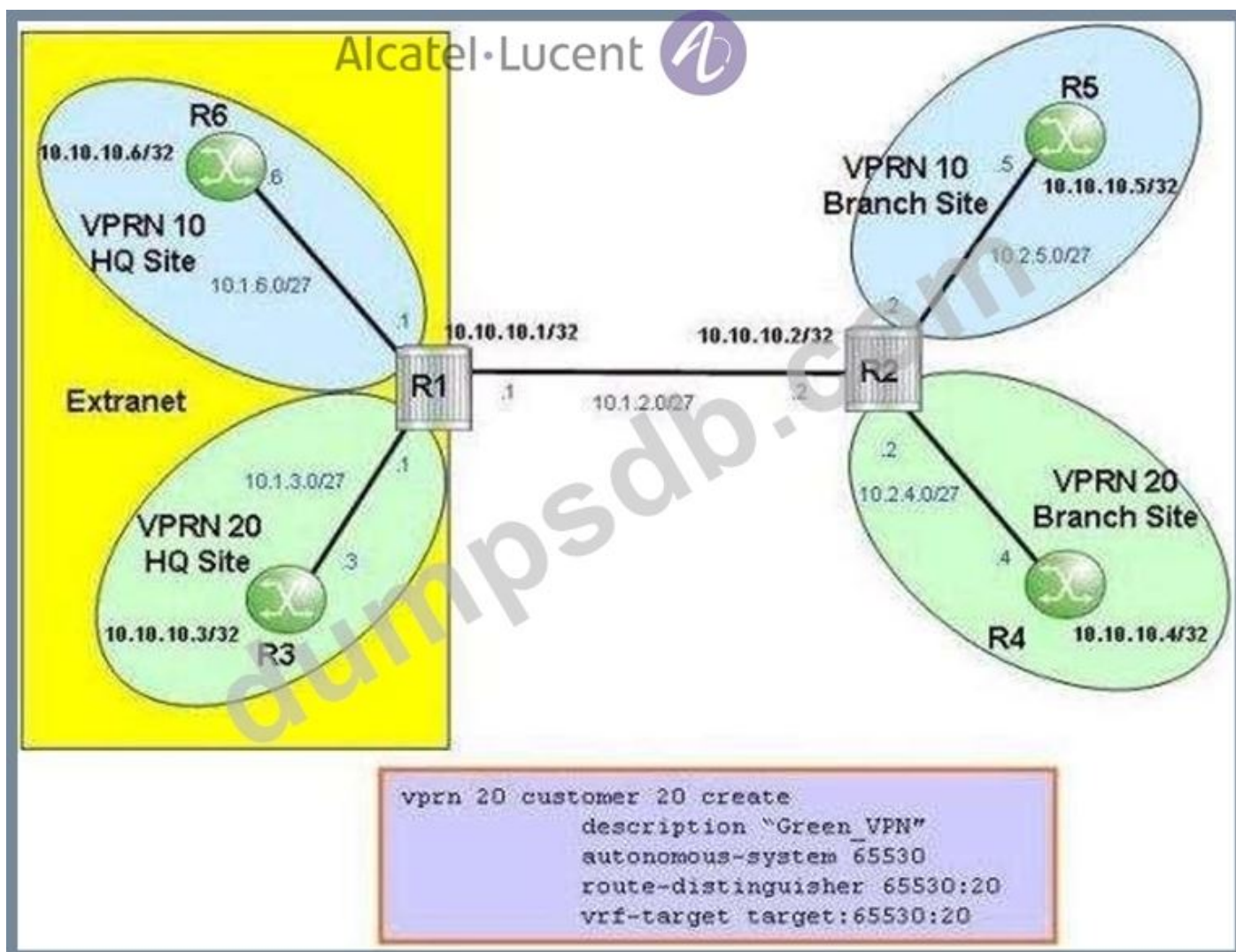
For the inter-AS model C VPRN, which of the following is FALSE when an IP packet is sent from 192.1.1.1 to 192.2.1.1?

- A. PE1 pushes two labels on the IP packet and forwards it to ASBR1.
- B. ASBR2 forwards the IP packet with two labels to PE2.
- C. PE2 pops the labels and forwards the unlabeled IP packet to its destination.
- D. ASBR1 pops the LDP label, swaps the BGP label and forwards the IP packet to ASBR2.

Answer: A (LEAVE A REPLY)

NEW QUESTION: 95

Click the exhibit.



An extranet VPRN is configured on Alcatel-Lucent 7750 SRs. On which router(s) should the displayed configuration be applied?

- A. Router R1
- B. Router R2
- C. Routers R1 and R2
- D. Router R3
- E. Router R4

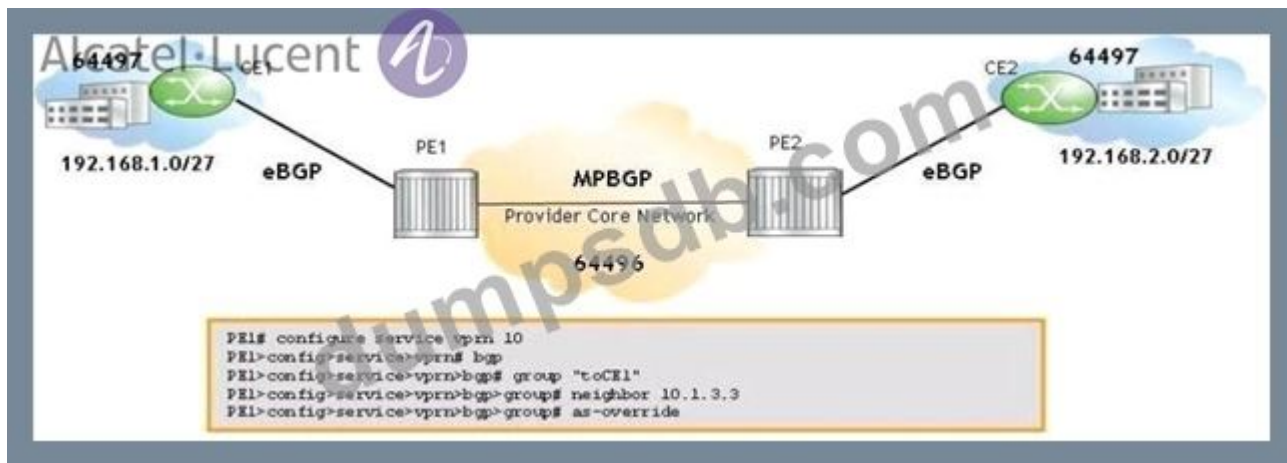
Answer: B (LEAVE A REPLY)

Section: Volume A

Explanation

NEW QUESTION: 96

Click the exhibit.



AS-override is configured on PE1 to eliminate the BGP loops. What is the expected AS-Path in the VPN-IPv4 route 64496:10:192.168.2.0/27 received by PE1?

- A. 64496
- B. 64497 64497
- C. 64497
- D. 64496 64497

Answer: C (LEAVE A REPLY)

NEW QUESTION: 97

For a Carrier Supporting Carrier (CSC) VPRN where the customer carrier is an ISP that provides Internet connectivity to its end-customers, which of the following is FALSE?

- A. All traffic exchanged between end-customers is carried over a single CSC VRF.
- B. Customer carrier PE routers residing in different sites must run eBGP between them to exchange customers' routes.
- C. The customer carrier network can be a pure IP network.
- D. MPLS can be used in the customer carrier network to improve scalability.

Answer: B (LEAVE A REPLY)

Section: Volume A

NEW QUESTION: 98

Which of the following about BGP loops in a VPRN environment is TRUE?

- A. When "remove-private" is configured at a PE, all routes received from the associated CE will have private AS numbers removed.
- B. Traditional BGP loop detection mechanisms are unable to detect a loop in a VPRN scenario.
- C. BGP loops are detected in a VPRN when the customer has separate sites using the same BGP autonomous system number.
- D. The Nokia 7750 SR rejects routes containing AS_PATH loops by default.

Answer: C (LEAVE A REPLY)

NEW QUESTION: 99

Which of the following about BGP loops in a VPRN environment is FALSE?

- A. The Alcatel-Lucent 7750 SR accepts routes containing AS_PATH loops by default.
- B. Traditional BGP loop detection mechanisms may detect a loop in the VPRN scenario, which in fact is not present.
- C. In VPRN implementations where the CE-PE protocol is BGP, it is possible for separate sites of the same customer to use the same BGP autonomous system number.
- D. When the CLI command "config>router>bgp# loop-detect discard-route" is used, the Alcatel-Lucent 7750 SR sends a notification to the remote peer and drops the BGP session.

Answer: D (LEAVE A REPLY)

NEW QUESTION: 100

Click the exhibit.

```

community "Customer 1" members "target:65100:2"
community "Customer 1 and 2" members "target:65100:3"
prefix-list "Internal"
  prefix 10.1.1.0/24 longer
exit
policy-statement "Sample Policy"
  entry 10
    from
      community "Customer 1"
    exit
    action accept
    exit
  exit
  entry 20
    from
      community "Customer 1 and 2"
    exit
    action accept
    exit
  exit
  entry 30
    from
      prefix-list Internal
    exit
    action accept
    exit
  exit
exit

```

The policy shown is configured on an Nokia 7750 SR to implement an extranet VPRN between the main sites of two separate VPRNs. Route target "target:65100:2" is used for Customer 1 routes, and route target "target:65100:3" is used for Extranet routes. How should this policy be applied?

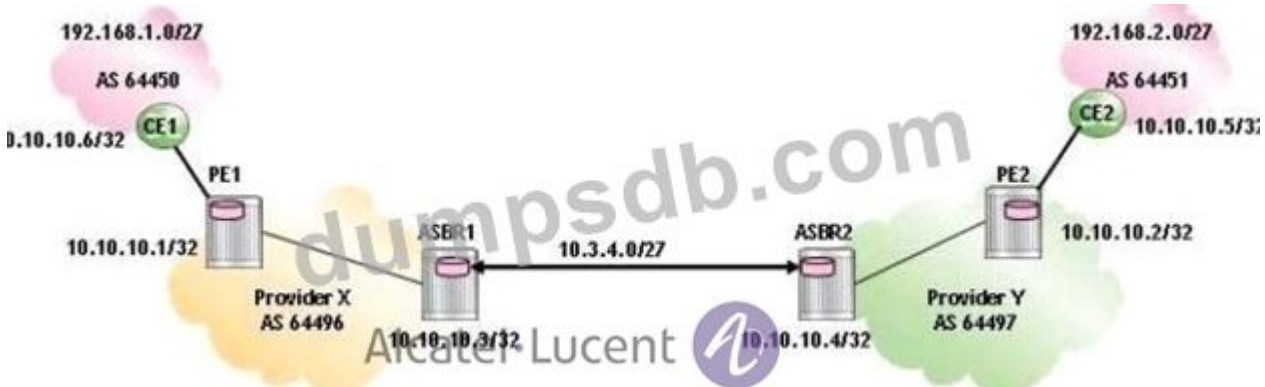
- A. The policy should be applied as an export policy on the PE connected to the main site of Customer 1.
- B. The policy should be applied as an import policy on all the PEs connected to the sites of Customer 1.
- C. The policy should be applied as an import policy on the PE connected to the main site of Customer 1.

D. The policy should be applied as an export policy on all the PEs connected to the sites of Customer 1.

Answer: ([SHOW ANSWER](#))

NEW QUESTION: 101

Click the exhibit.



For the inter-AS model A VPRN shown, which of the following about the route advertisement of 192.168.1.0/27 is FALSE?

- A. PE1 advertises 64496:1:192.168.1.0/27 route update to ASBR1.
- B. ASBR1 advertises 64496:1:192.168.1.0/27 route update to ASBR2.
- C. ASBR2 advertises 64497:1:192.168.1.0/27 route update to PE2.
- D. PE2 advertises 192.168.1.0/27 route update to CE2.

Answer: ([SHOW ANSWER](#))

NEW QUESTION: 102

For a Carrier Supporting Carrier (CSC) VPRN where the customer carrier is an ISP that provides Internet connectivity to its end-customers, which of the following is TRUE?

- A. All traffic exchanged between end-customers is carried over a single CSC VRF.
- B. Customer carrier PEs residing in different sites must run MP-iBGP between them to exchange customers' routes.
- C. VPRN instances are created on the CSC-CE routers.
- D. The customer carrier network must be MPLS-enabled.

Answer: ([SHOW ANSWER](#))

NEW QUESTION: 103

When a Service Provider offers VPRN services to its customers, which of the following functions are expected to be the responsibility of the Service Provider? (Choose three)

- A. Distributing the customer generated labels between sites
- B. Distributing the customer routing information between
- C. Forwarding the customer originated data packets to the appropriate destination
- D. Forwarding the provider originated data packets to the appropriate customer site
- E. Providing secure layer 3 routing exchange between sites

Answer: B,C,E ([LEAVE A REPLY](#))

Section: Volume A

NEW QUESTION: 104

When would it be appropriate to use the as-override command?

```
PE-1# show router 1 bgp neighbor
-----
Peer : 10.16.1.2          Group : BGP-neighbors
-----
Peer AS      : 65200          Peer Port    : 49620
Peer Address : 10.16.1.2
Local AS     : 65100          Local Port   : 179
Local Address : 10.16.1.1
Peer Type    : External
State        : Established    Last State   : Established
Local Family : IPv4           Remote Family : IPv4
```

- A. When sites of different VPRN customers use the same BGP AS number
- B. When sites of the same VPRN customer use the same BGP AS number
- C. When sites of different VPRN customers use different BGP AS numbers
- D. When sites of the same VPRN customer use different BGP AS numbers
- E. When the customer site AS number is the same as the provider AS number

Answer: B ([LEAVE A REPLY](#))

Section: Volume A

NEW QUESTION: 105

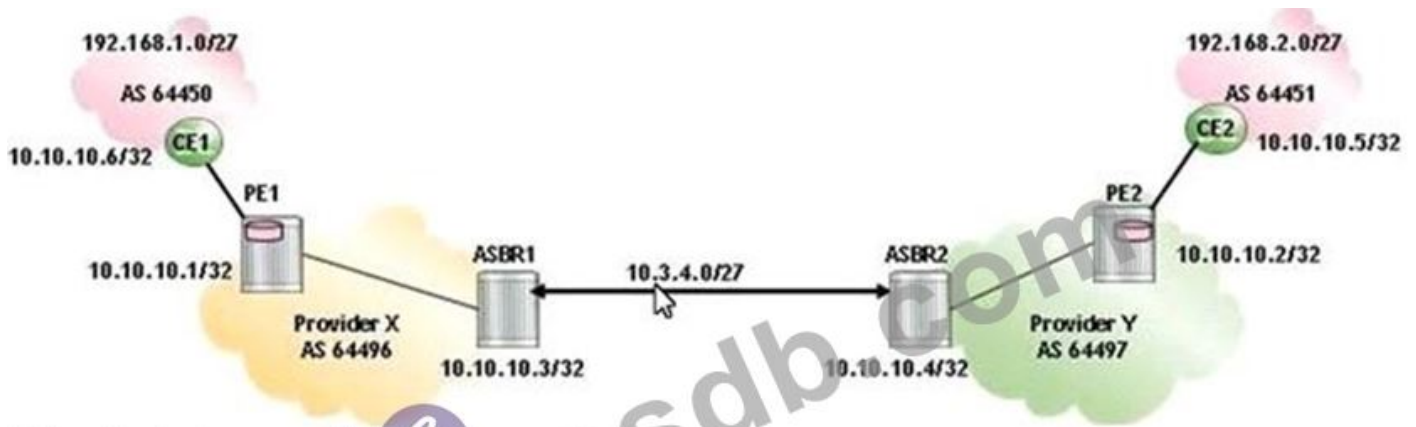
Which of the following VPRN label allocation methods are supported by the Alcatel-Lucent 7750 SR?

- A. One label per VRF per next-hop
- B. A and C
- C. All of the above
- D. B and C
- E. One label per VRF per route
- F. One label per VRF

Answer: D ([LEAVE A REPLY](#))

NEW QUESTION: 106

For the Inter-AS model B VPRN, which of the following statements about the inter-as-label output on ASBR1 is TRUE?



Alcatel-Lucent

```
ASBR1# show router bgp inter-as-label
```

BGP Inter-AS labels			
NextHop	Received Label	Advertised Label	Label Origin
10.10.10.1	131070	131068	Internal
10.3.4.4	131068	131069	External

- A. ASBR1 includes labels 131068 and 131069 in the route update sent to ASBR2.
- B. ASBR1 includes label 131068 in the route update sent to ASBR2.
- C. ASBR1 includes label 131068 in the route update sent to PE1.
- D. ASBR1 includes label 131069 in the route update sent to ASBR2.

Answer: C (**LEAVE A REPLY**)

Valid 4A0-106 Dumps shared by TrainingQuiz.com for Helping Passing 4A0-106 Exam! TrainingQuiz.com now offer the **newest 4A0-106 exam dumps**, the TrainingQuiz.com 4A0-106 exam **questions have been updated** and **answers have been corrected** get the **newest** TrainingQuiz.com 4A0-106 dumps with Test Engine here: <https://www.trainingquiz.com/4A0-106-practice-quiz.html> (215 Q&As Dumps, **40%OFF Special Discount: Exam-Tests**)

NEW QUESTION: 107

Which of the following is not a valid BGP design for a network provider supporting VPRNs?

- A. Confederation configuration between PE devices
- B. Route reflector configuration between PE devices
- C. Full mesh of MP-BGP between PE devices
- D. Full mesh of MP-BGP between all P devices

Answer: D (**LEAVE A REPLY**)

NEW QUESTION: 108

Which command will display the Route Target associated to a specific prefix on an Alcatel-Lucent 7750 SR?

```

Route Table (Router: XXXXXXXXXXXX)
=====
Dest Address      Next Hop          Type   Proto   Age           Metric   Pref
-----
1.1.1.1/32       XXXXXXXXXXXXXXXX Local   Local   14h53m05s    0        0
1.1.1.2/32       XXXXXXXXXXXXXXXX Remote  OSPF    14h53m09s    101      10
1.1.1.3/32       XXXXXXXXXXXXXXXX Remote  OSPF    14h53m11s    201      10
1.1.1.4/32       XXXXXXXXXXXXXXXX Remote  OSPF    14h53m10s    201      10
1.1.1.5/32       XXXXXXXXXXXXXXXX Remote  OSPF    14h53m13s    301      10
=====
No. of Routes: 5
=====

```

- A. Show router bgp routes <prefix> detail
- B. Show router <service-id> route-table
- C. Either (b) or (d)
- D. Show router bgp routes
- E. Show router route-table

Answer: A (LEAVE A REPLY)

NEW QUESTION: 109

Which of the following is a characteristic of inter-AS model C VPRN?

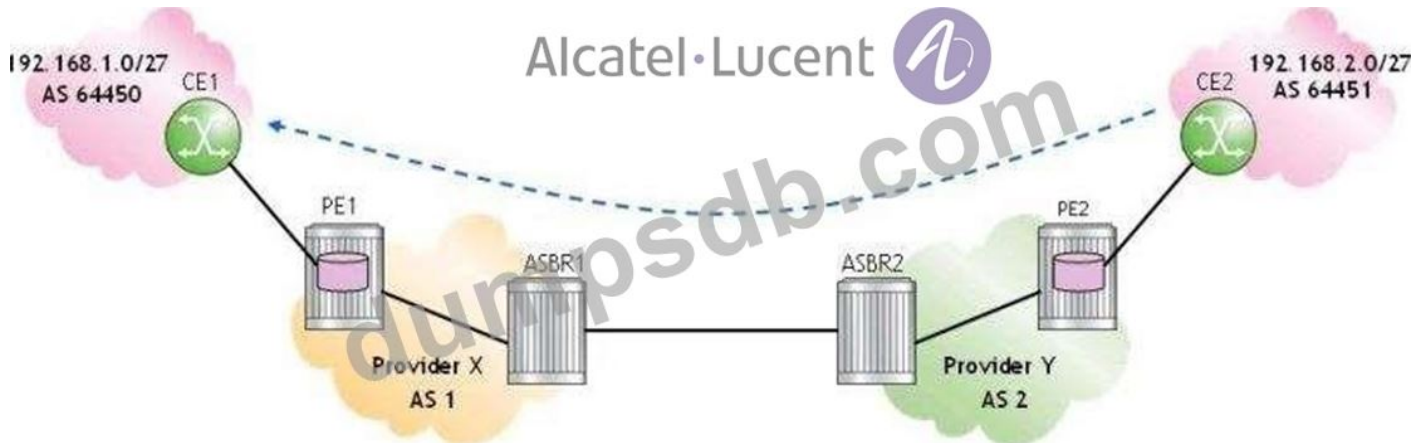
- A. A data packet destined to a remote AS is encapsulated with three labels within the originating AS.
- B. The ASBR redistributes VPN-IPv4 updates to its ASBR eBGP peers.
- C. PE routers in different ASes exchange IPv4 routes directly between each other using eBGP.
- D. The advertising ASBR assigns a new label to the route before sending it via an MP-eBGP update to its ASBR peer.

Answer: (SHOW ANSWER)

Section: Volume A

NEW QUESTION: 110

Click the exhibit.



For the inter-AS model B VPRN, which of the following is FALSE when CE2 sends an IP packet to 192.168.1.1?

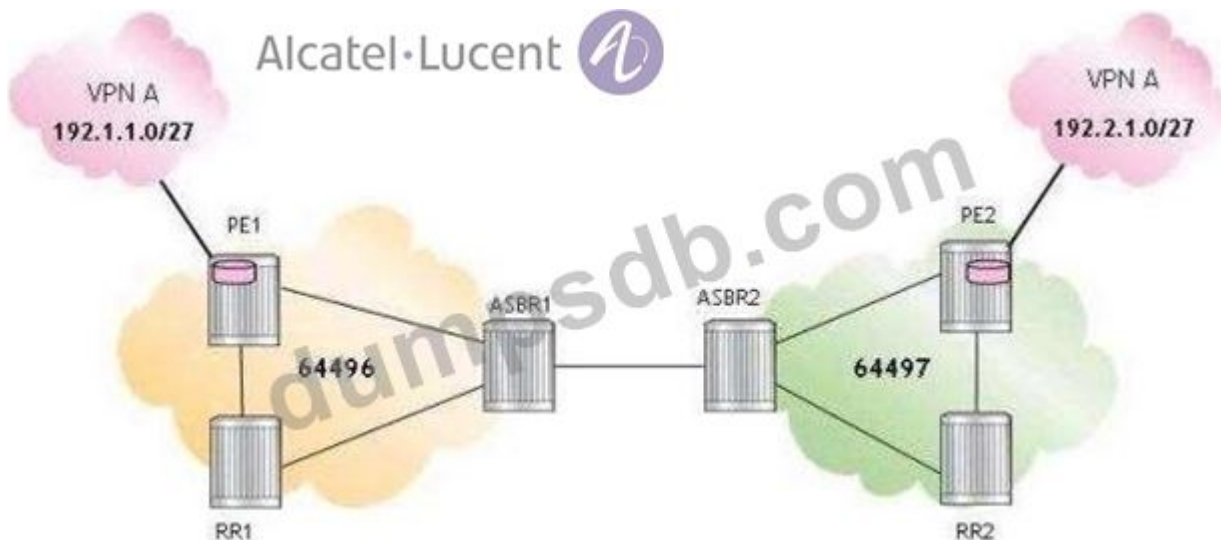
- A. PE2 pushes one label on the IP packet and forwards it to ASBR2.
- B. ASBR2 forwards the IP packet with one label to ASBR1.
- C. ASBR1 forwards the IP packet with two labels to PE1.
- D. PE1 forwards an unlabeled IP packet to CE1.

Answer: A (LEAVE A REPLY)

Section: Volume A

NEW QUESTION: 111

Click the exhibit.



For the inter-AS model C VPRN, which of the following is FALSE when an IP packet is sent from 192.1.1.1 to 192.2.1.1?

- A. PE1 pushes three labels on the IP packet: a VPN label, a BGP label, and an LDP transport label.
- B. ASBR1 pops the LDP and BGP labels and swaps the VPN label.
- C. ASBR2 pops the BGP label and pushes an LDP transport label.

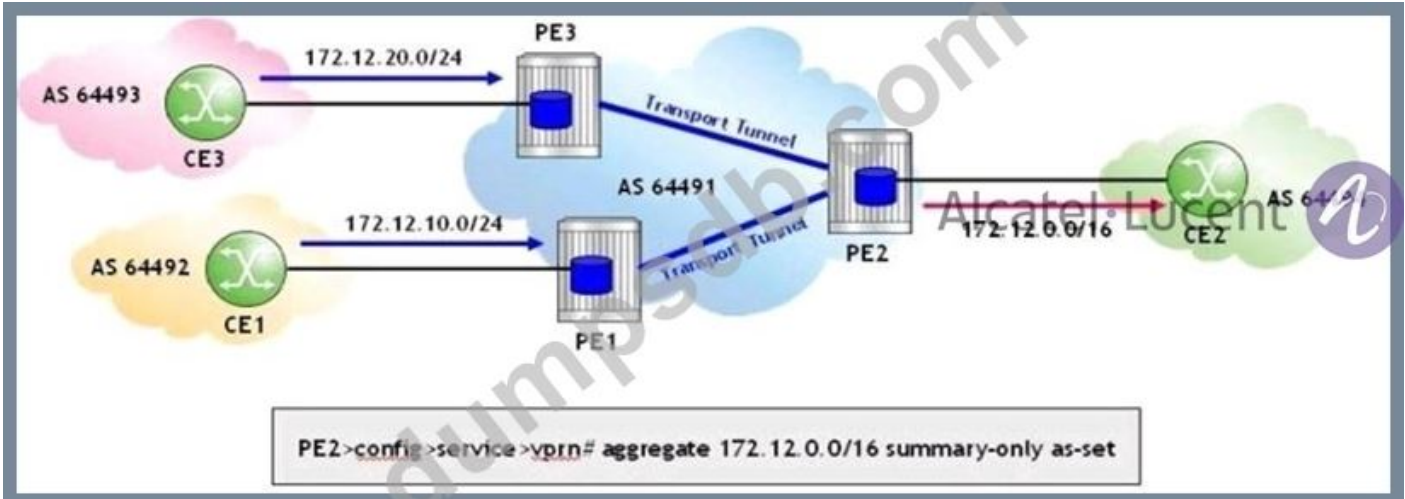
D. PE2 pops two labels and forwards the unlabeled packet to its destination.

Answer: B (LEAVE A REPLY)

Section: Volume A

NEW QUESTION: 112

Click the exhibit.



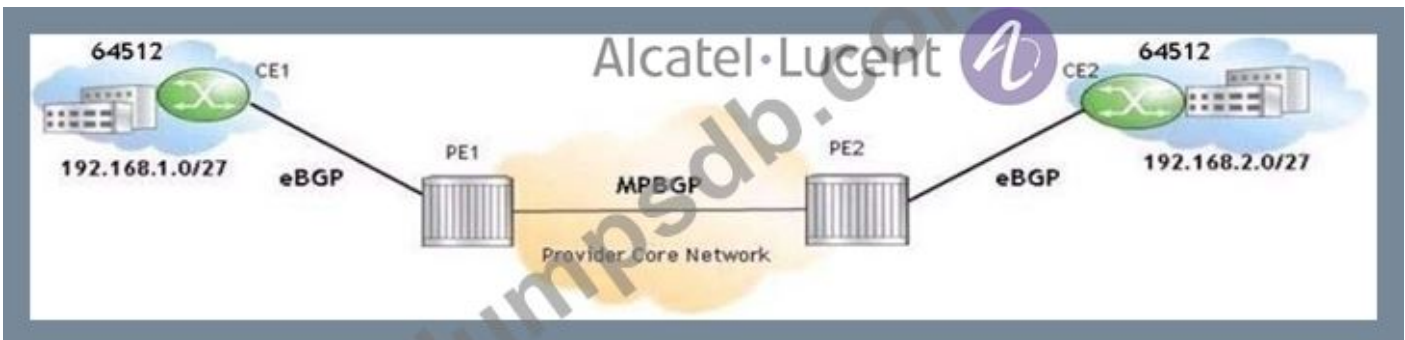
If the displayed command is executed, what is the correct value of AS-Path in the BGP route 172.12.0.0/16 advertised by PE2?

- A. {64492 64493}64491
- B. 64491 {64492 64493}
- C. 64491
- D. 64492 64493 64491

Answer: B (LEAVE A REPLY)

NEW QUESTION: 113

Click the exhibit.



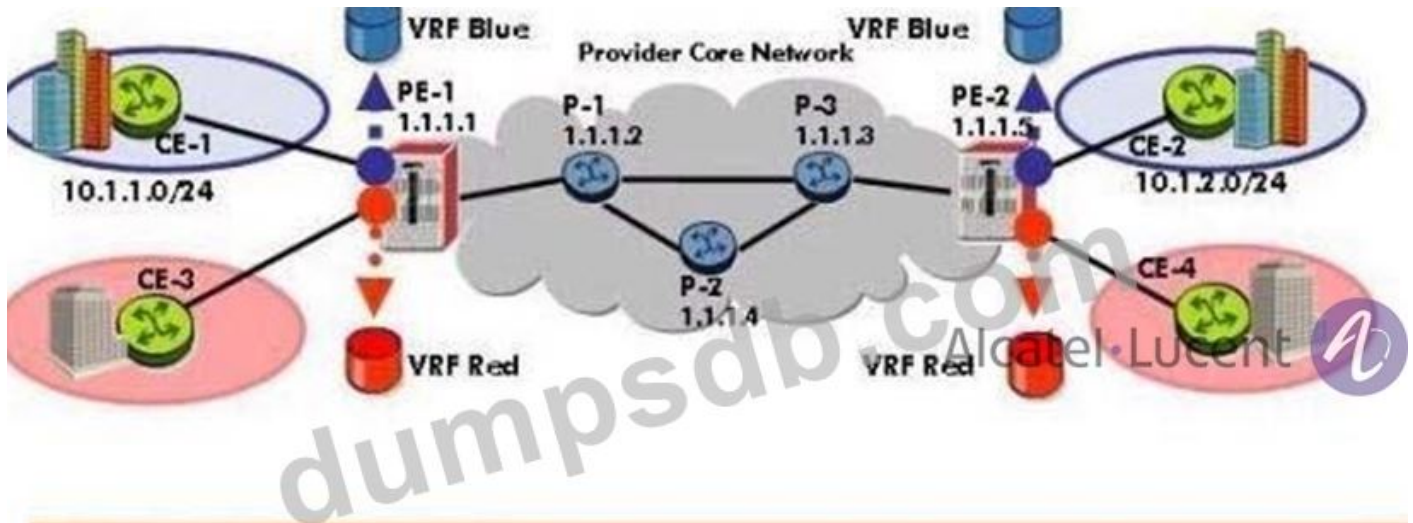
The AS-path nullification method is used to prevent CE2 from discarding routes received from CE1. On which router should the AS-path nullification policy be configured?

- A. PE2
- B. CE1
- C. CE2
- D. PE1

Answer: D (LEAVE A REPLY)

NEW QUESTION: 114

Click the exhibit.



```
PE-1# configure router mpls
PE-1>config>router>mpls# no shutdown
PE-1>config>router>mpls# interface "PE-1 to P-1"
PE-1>config>router>mpls>if$ exit all
PE-1#
```

An Alcatel-Lucent 7750 SR is to be configured as a PE router that supports VPRNs using LDP as the transport protocol. Which of the following best describes this configuration?

- A. MPLS configuration is not required.
- B. This configuration is correct, except that the system interface must be added.
- C. This configuration is correct, except that the interfaces facing the CE routers must be added.
- D. This configuration is correct and complete.

Answer: A (LEAVE A REPLY)

NEW QUESTION: 115

At what point does the Route Target become associated with a route?

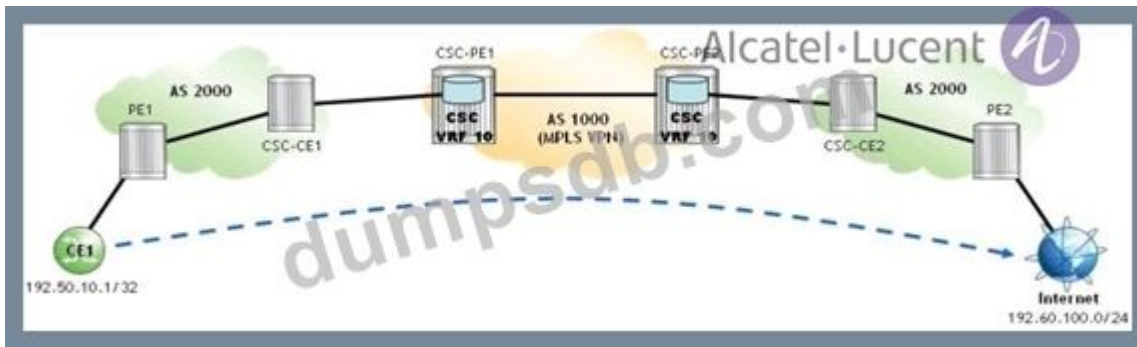
- A. When the route is first received at the P from the PE
- B. When the route from the CE is populated into the VRF at the PE
- C. When the route from the PE is populated into the VRF at the CE
- D. When the route is propagated from the PE to the CE
- E. When the route is exported into the MP-BGP table from the VRF

Answer: E (LEAVE A REPLY)

Section: Volume A

NEW QUESTION: 116

Click the exhibit.



A Carrier Supporting Carrier (CSC) VPRN is configured for a customer carrier who is an Internet Service Provider (ISP). If CE1 sends an IP packet to 192.60.100.1, which of the following is FALSE?

- A. CSC-PE2 pops the MPLS label and pushes a BGP label.
- B. CSC-CE1 pops the LDP label and pushes a BGP label.
- C. CSC-PE1 pops the BGP label and pushes two labels: a VPN label and an MPLS transport label.
- D. PE1 pushes an LDP transport label.

Answer: ([SHOW ANSWER](#))

NEW QUESTION: 117

In a VPRN, what type of logical topology is required for the BGP sessions configured in the provider core?

```

policy-statement "mp-bgp-to-rip"
  entry 10
    from
      protocol rip
    exit
    protocol bgp-vpn
    exit
    action accept
    exit
  exit
exit

```

- A. Full mesh between PE and P devices
- B. Full mesh of P devices
- C. Full mesh between PE and CE devices
- D. Full mesh of PE devices
- E. Full mesh between all CE, PE and P devices

Answer: D ([LEAVE A REPLY](#))

NEW QUESTION: 118

Which of the following protocols does the Alcatel-Lucent 7750 SR support to signal VPRN service labels?

- A. BGP
- B. RSVP-TE
- C. MP-BGP
- D. Targeted-LDP

Answer: C ([LEAVE A REPLY](#))

NEW QUESTION: 119

Which of the following about VPRN Outbound Route Filtering (ORF) is FALSE?

- A. Resources consumed at the sender and receiver PEs can be reduced by using BGP ORF.
- B. BGP ORF allows a receiving PE to filter out unnecessary inbound routes.
- C. A PE indicates its ORF capabilities to its neighbor PE in a BGP Open message.
- D. BGP ORF is most effective when a large number of routes is being exchanged between two peers, and most routes are filtered out on arrival.

Answer: (SHOW ANSWER)

Section: Volume B

NEW QUESTION: 120

In a traditional layer 3 VPN which of the following will be an issue when there is overlapping address space between two customers? Choose the best answer.

- A. There will be increased memory usage on the PE
- B. There will be increased CPU utilization on the PE
- C. The CE will reject the overlapping prefix
- D. The PE will not recognize the prefixes as being different
- E. There is no issue with overlapping address space in a traditional Layer 3 VPN

Answer: D ([LEAVE A REPLY](#))

Section: Volume A

NEW QUESTION: 121

Which command may be used on an Nokia 7750 SR to verify the number of VRF routes allowed, based on the maximum routes value configured in the service instance?

- A. Show service id <service-id> maximum-routes
- B. Show router bgp <service-id> routes
- C. Show service id <service-id> base
- D. Show router <service-id> status

Answer: C ([LEAVE A REPLY](#))

Valid 4A0-106 Dumps shared by TrainingQuiz.com for Helping Passing 4A0-106 Exam! TrainingQuiz.com now offer the **newest 4A0-106 exam dumps**, the TrainingQuiz.com 4A0-106 exam **questions have been updated** and **answers have been corrected** get the **newest** TrainingQuiz.com 4A0-106 dumps with Test Engine here:
<https://www.trainingquiz.com/4A0-106-practice-quiz.html> (215 Q&As Dumps, **40%OFF Special Discount: Exam-Tests**)

NEW QUESTION: 122

When a routing protocol is configured as the PE-CE protocol at one site of a customer VPRN, the same routing protocol must be configured as the PE-CE protocol at all other sites of the same customer VPRN.

- A. True
- B. False

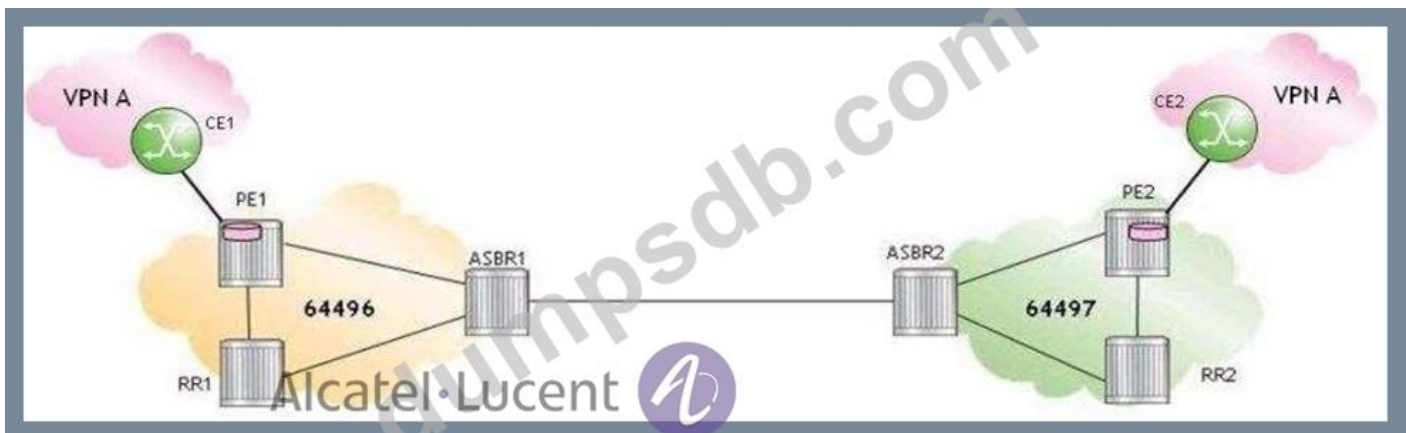
Answer: B (LEAVE A REPLY)

Section: Volume A

Explanation/Reference:

NEW QUESTION: 123

Click the exhibit.



For the inter-AS model C VPRN, how many labels does PE1 push on a data packet received from CE1 and destined to CE2?

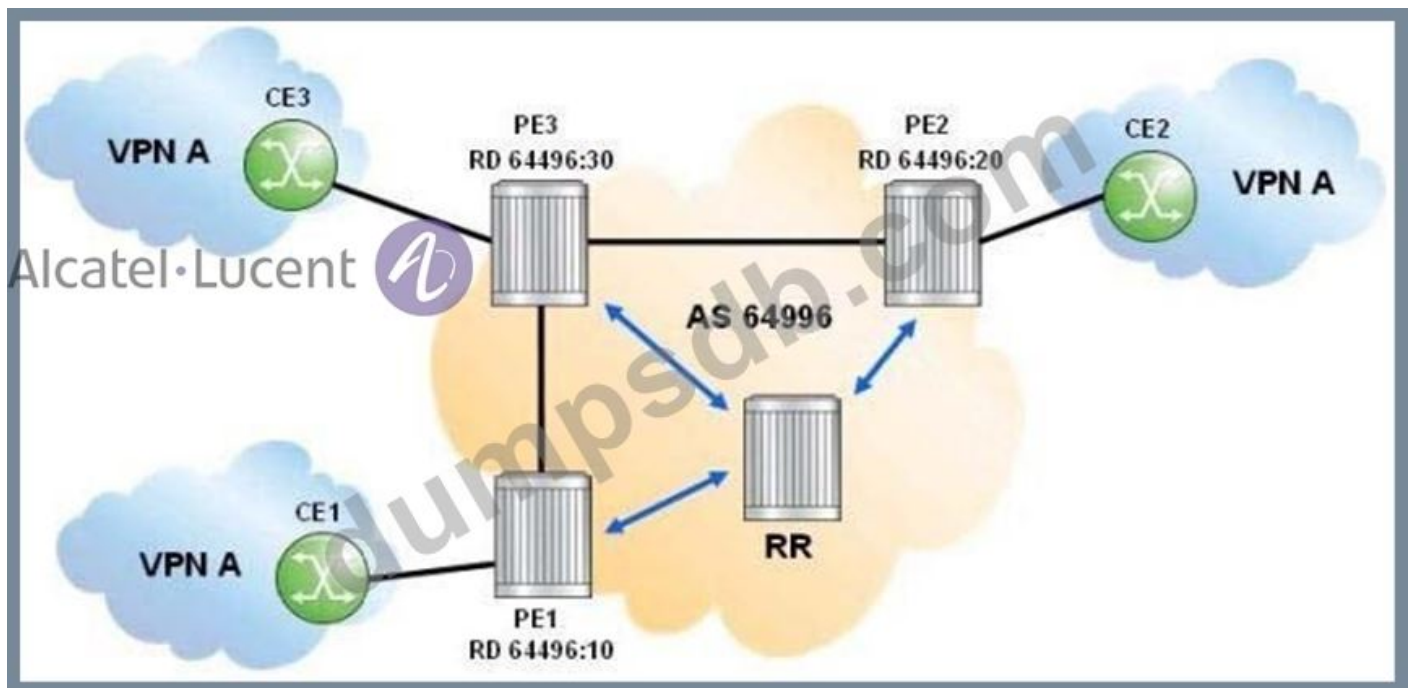
- A. 1
- B. 2
- C. 3
- D. 4

Answer: C (LEAVE A REPLY)

Section: Volume B

NEW QUESTION: 124

Click the exhibit.



One Route Distinguisher is assigned per VRF. If CE1 and CE2 advertise prefix 10.1.1.0/24, which of the following statements is FALSE?

- A. The route reflector receives two routes for prefix 10.1.1.0/24; one from PE1 and one from PE2.
- B. PE1 and PE2 advertise the same VPN route to the route reflector.
- C. PE3 receives two routes and is able to load balance traffic across PE1 and PE2.
- D. The route reflector reflects two routes for prefix 10.1.1.0/24.

Answer: B (LEAVE A REPLY)

NEW QUESTION: 125

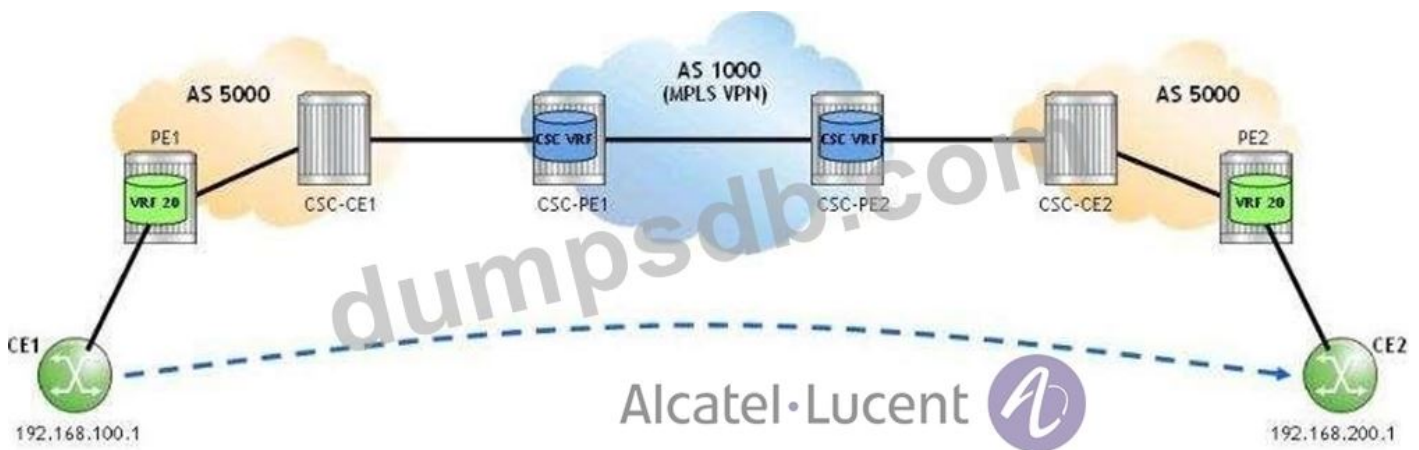
What operation is performed by a P device on the label signaled by MP-BGP when it receives a labeled packet for a VPRN service?

- A. The P router does not perform any operation on this label
- B. It will label switch the packet based on this label
- C. It will SWAP the label for a new label and then label switch the packet
- D. It will decrement the TTL and label switch the packet based on this label

Answer: (SHOW ANSWER)

NEW QUESTION: 126

Click the exhibit.



A Carrier Supporting Carrier (CSC) VPRN is configured for a customer carrier who is a BGP/MPLS service provider. If CE1 sends an IP packet to 192.168.200.1, which of the following is FALSE?

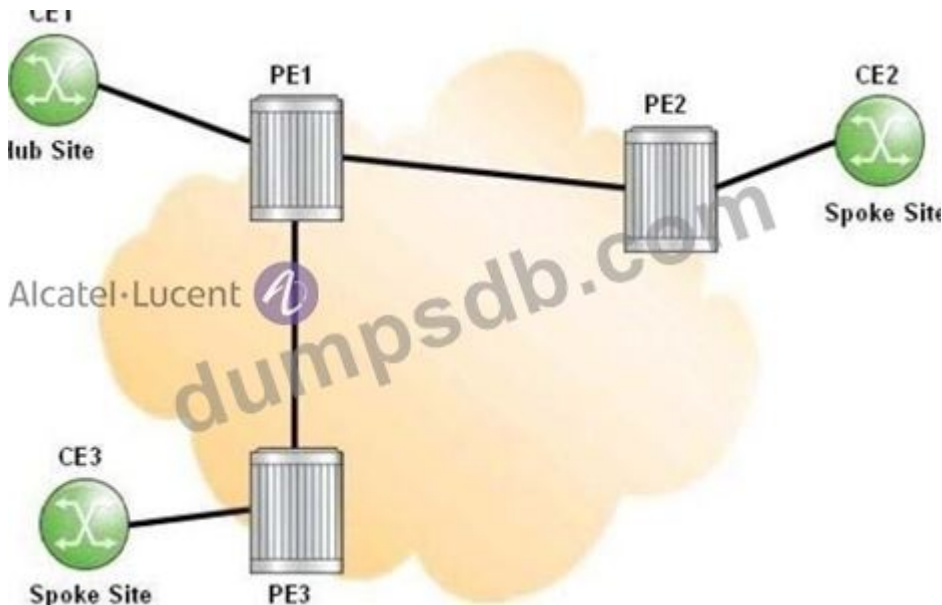
- A. PE1 pushes a VPN label, a BGP label, and an LDP transport label on the IP packet.
- B. CSC-CE1 pops the LDP label and swaps the BGP label.
- C. CSC-PE1 pops the BGP label, swaps the VPN label, and pushes an LDP transport label.
- D. CSC-PE2 pops the LDP and VPN labels and pushes a BGP label.

Answer: ([SHOW ANSWER](#))

Section: Volume B

NEW QUESTION: 127

Click the exhibit.



For the CE hub and spoke VPRN, which of the following is FALSE?

- A. PE1 advertises the primary VRF routes to CE1.
- B. The secondary VRF on PE1 is used to route data packets from the hub CE to the spoke sites.
- C. The primary VRF on PE1 contains routes learned from spoke sites.
- D. All traffic between spoke sites must pass through CE1.

Answer: B ([LEAVE A REPLY](#))

NEW QUESTION: 128

Given the following VPRN topology: The VPRN service 10 is correctly configured and operational with OSPF as the PE to CE routing protocol at both customer sites. The OSPF database on CE-A contains Type 1 LSAs.

These routes will appear as what LSA type on CE-B?

```
PE-1# show router bgp routes
=====
BGP Router ID : 10.10.10.75      AS : 65100   Local AS : 65100
=====
Legend -
Status codes : u - used, s - suppressed, h - history, d - decayed, * - valid
Origin codes : i - IGP, e - EGP, ? - incomplete, > - best
=====
BGP Routes
=====
Flag  Network                Nexthop      LocalPref  MED
   VPN Label                As-Path
-----
u*>i 65100:10:10:1.2.0/24    1.1.1.5      100        2
     131070                No As-Path
```

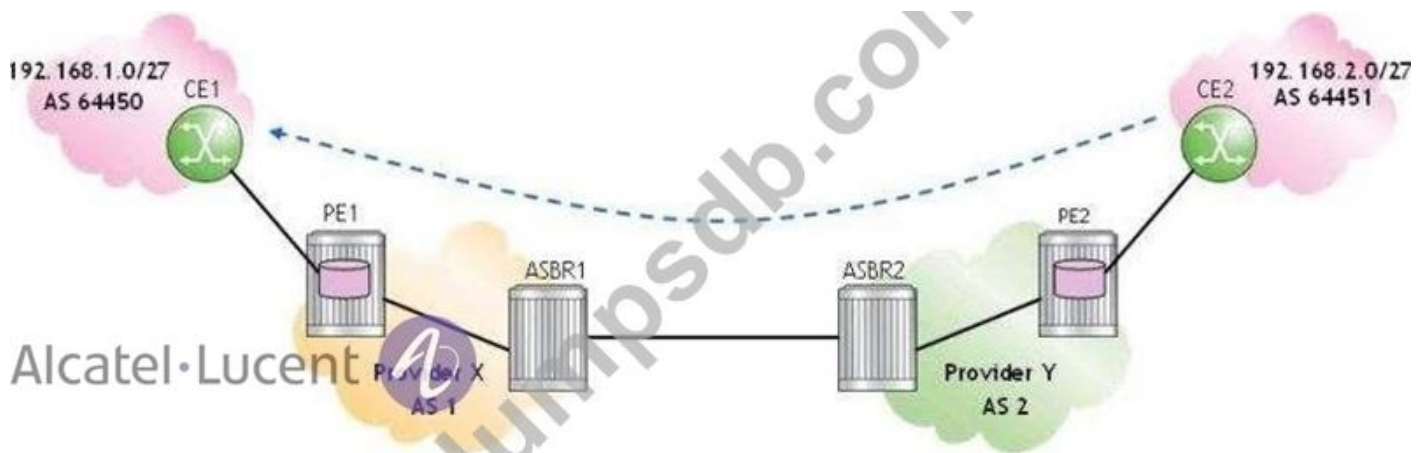
- A. These routes will not appear on CE-B
- B. Type 1 LSAs
- C. Type 3 LSAs
- D. Type 5 LSAs
- E. Type 7 LSAs

Answer: D (LEAVE A REPLY)

Section: Volume A

NEW QUESTION: 129

Click the exhibit.



For the inter-AS model B VPRN, which of the following is TRUE when CE2 sends an IP packet to 192.168.1.1?

- A. PE2 pushes one label on the IP packet and forwards it to ASBR2.
- B. ASBR2 sends the IP packet with one label to ASBR1.
- C. ASBR1 sends the IP packet with one label to PE1.
- D. PE1 pops one label off the IP packet and forwards it to CE1.

Answer: ([SHOW ANSWER](#))

Section: Volume B

NEW QUESTION: 130

Assuming that as-override has been used, which of the following statements describes the most likely location of prefix 10.1.2.0/24, based on the output from an Alcatel-Lucent 7750 SR shown below?

```

1. PE-1# configure service
2. PE-1>config>service# sdp 42 mpls create
3. PE-1>config>service>sdp$ far-end 1.1.1.5
4. PE-1>config>service>sdp$ lsp "To-PE2"
5. PE-1>config>service>sdp$ no shutdown
6. PE-1>config>service>sdp$ exit
7. PE-1>config>service# vprn 100
8. PE-1>config>service>vprn# spoke-sdp 42 create
9. PE-1>config>service>vprn>sdp$ exit
10. PE-1>config>service>vprn# exit
11. PE-1>config>service# exit
12. PE-1>config# router ldp shut
13. PE-1>config# exit

```

- A. It is located in an Autonomous System directly connected to this router
- B. There is a single Autonomous System between the local AS and the AS that originated the prefix
- C. There are two Autonomous Systems between the local AS and the AS that originated the prefix

D. There may be two or more Autonomous Systems between the local AS and the AS that originated the prefix

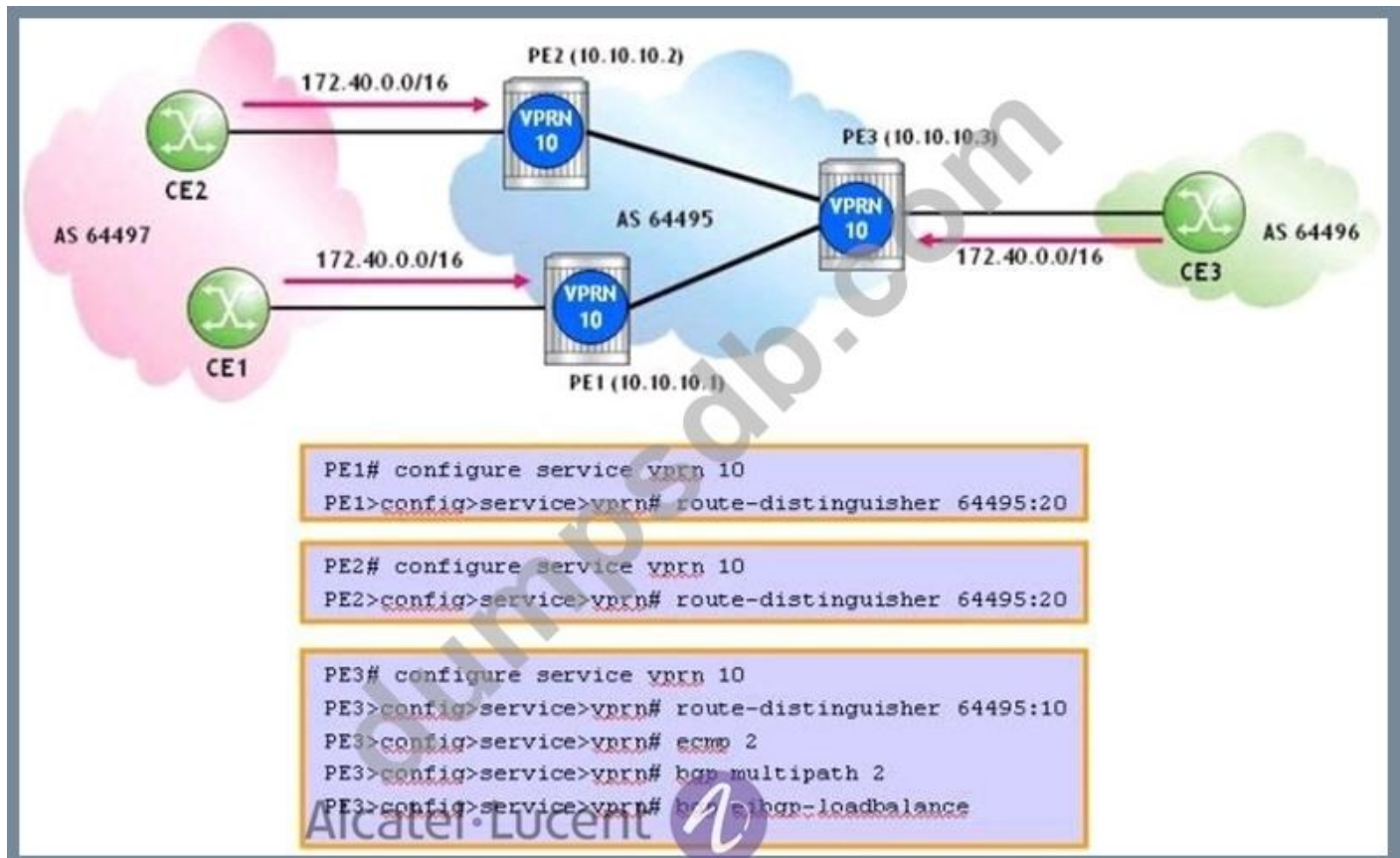
E. It is located in Autonomous System 65100

Answer: B ([LEAVE A REPLY](#))

Section: Volume A

NEW QUESTION: 131

Click the exhibit.



Based on the displayed configuration, which routes does PE3 place in the VPRN 10 routing table?

- A. The route learned from CE3 only.
- B. The routes learned from CE3 and PE2.
- C. The routes learned from CE3 and PE1.
- D. The routes learned from PE1 and PE2.

Answer: C ([LEAVE A REPLY](#))

NEW QUESTION: 132

In a VPRN, how does the service provider ensure that customer addresses are unique when multiple customers use the same address space?

- A. The Route Target ensures that addresses are unique between customers
- B. The Route Distinguisher ensures that addresses are unique between customers.
- C. It is the customer responsibility to ensure their address space is unique
- D. The provider will advise the customers to change their addresses

E. The provider will use NAT to ensure that addresses are unique between customers

Answer: ([SHOW ANSWER](#))

NEW QUESTION: 133

You are configuring a VPLS spoke termination to a VPRN on an Alcatel-Lucent 7750 SR. If LDP is used for all transport tunnels, what type of sessions are established by the VPRN PE router that is configured with the spoke termination?

- A. T-LDP sessions with the other VPRN PE routers and the VPLS PE router
- B. LDP sessions with the other VPRN PE routers, and both T-LDP and LDP sessions with the VPLS PE router
- C. T-LDP and LDP sessions with the other VPRN PE routers and the VPLS PE router
- D. T-LDP and LDP sessions with the other VPRN PE routers and LDP sessions with the VPLS PE router
- E. LDP sessions with the other VPRN PE routers and the VPLS PE router

Answer: ([SHOW ANSWER](#))

NEW QUESTION: 134

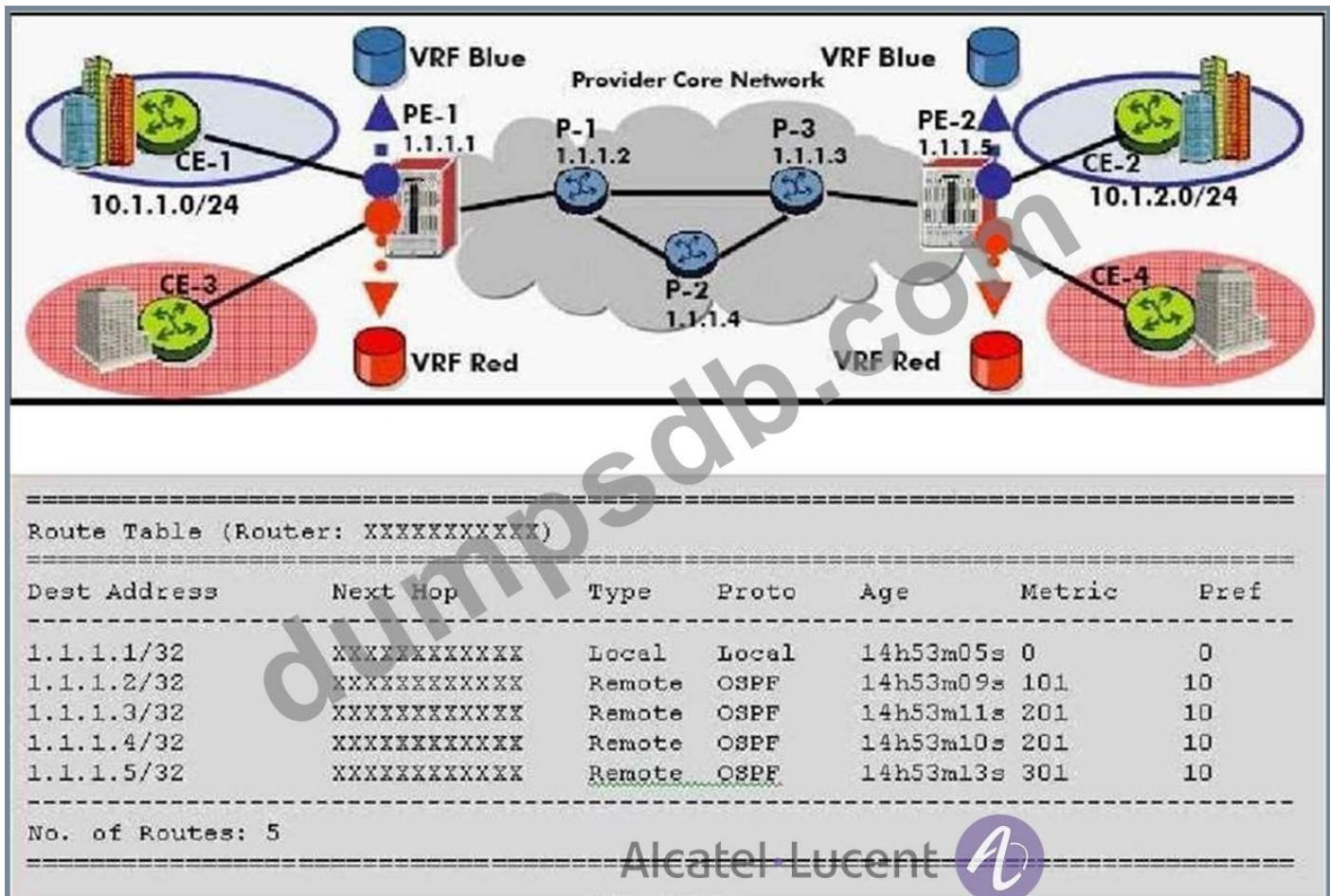
Which of the following about an Nokia 7750 SR MP-BGP update is FALSE? Assume default behavior.

- A. There can be multiple Route Targets per route in an MP-BGP update.
- B. There can only be one Route Distinguisher per route in an MP-BGP update.
- C. An MP-BGP update carries an MPLS label that is used as the service label for a VPRN.
- D. Traditional BGP attributes and MP-BGP attributes are present in an MP-BGP update.
- E. On a specific PE, the MP-BGP updates for prefixes from a single VPRN carry different labels.

Answer: E ([LEAVE A REPLY](#))

NEW QUESTION: 135

Which command will display the Route Target associated to a specific prefix on an Alcatel-Lucent 7750 SR?



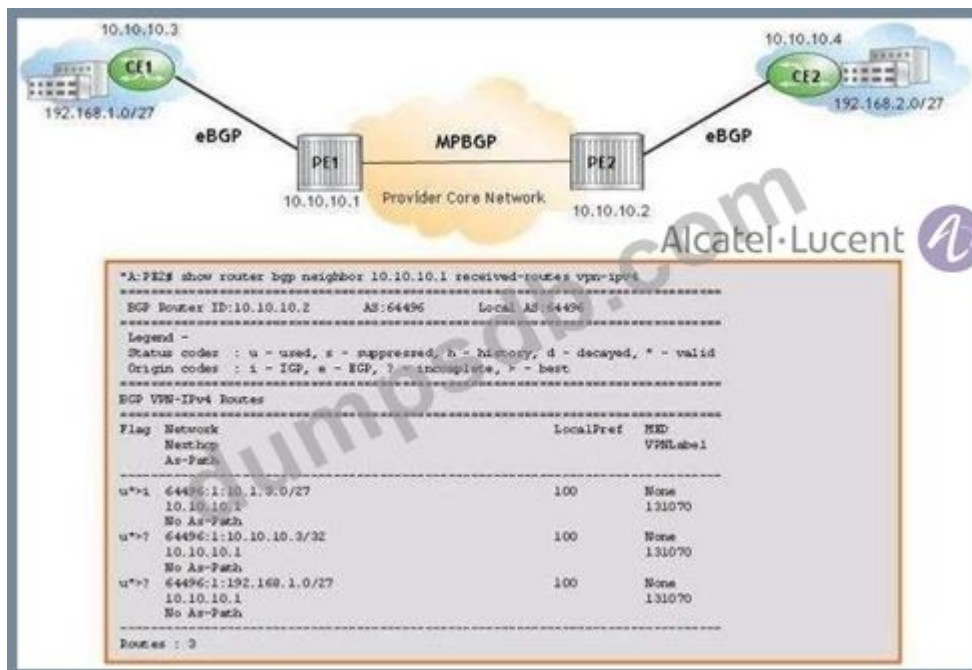
- A. Show router bgp routes
- B. Show router bgp routes <prefix> detail
- C. Show router route-table
- D. Show router <service-id> route-table
- E. Either (b) or (d)

Answer: B (LEAVE A REPLY)

Section: Volume A

NEW QUESTION: 136

Click the exhibit.



Which of the following best describes the output?

- A. The AS-Path is not present because a policy is configured on PE2 to set it to null.
- B. The AS-Path is not present because a policy is configured on CE1 to set it to null.
- C. The AS-Path is not present because a policy is configured on PE1 to set it to null.
- D. The AS-Path is not present because VPN-IPv4 routes do not propagate the IPv4 AS-Path BGP attribute.

Answer: (SHOW ANSWER)

Section: Volume A

Valid 4A0-106 Dumps shared by TrainingQuiz.com for Helping Passing 4A0-106 Exam! TrainingQuiz.com now offer the **newest 4A0-106 exam dumps**, the TrainingQuiz.com 4A0-106 exam **questions have been updated** and **answers have been corrected** get the **newest** TrainingQuiz.com 4A0-106 dumps with Test Engine here:
<https://www.trainingquiz.com/4A0-106-practice-quiz.html> (215 Q&As Dumps, **40%OFF Special Discount: Exam-Tests**)

NEW QUESTION: 137

Which of the following statements are true regarding P devices in an MPLS VPRN? (Choose two.)

- A. Must be aware of the VPRNs
- B. Run a common routing protocol with the CE router
- C. P devices are not required to be MPLS enabled. MPLS is only required on the PE devices
- D. Must support MP-BGP
- E. Participate in service provider core routing
- F. Do not have any connections to the CE

Answer: E,F ([LEAVE A REPLY](#))

NEW QUESTION: 138

When configuring BGP as the PE-CE protocol on an Alcatel-Lucent 7750 SR, the configuration on the CE is done under the _____ context and the PE configuration is under the _____ context.

```
A:CE-1# show router bgp routes
=====
BGP Router ID : 10.10.10.76      AS : 65200      Local AS : 65200
=====
Legend -
Status codes  : u - used, s - suppressed, h - history, d - decayed, * - valid
Origin codes  : i - IGP, e - EGP, ? - incomplete, > - best
=====
BGP Routes
=====
Flag  Network      Nexthop      LocalPref  MED
     VPN Label
-----
u*>? 10.1.2.0/24      10.16.1.1   none       none
                        65100 65100
u*>? 10.10.10.78/32   10.16.1.1   none       none
                        65100 65100
u*>i 10.32.1.0/24     10.16.1.1   none       none
                        65100 65100
```

- A. Global, router
- B. Router, router
- C. Service, router
- D. Router, service
- E. Service, service
- F. Router, global

Answer: D ([LEAVE A REPLY](#))

Section: Volume A

Explanation

NEW QUESTION: 139

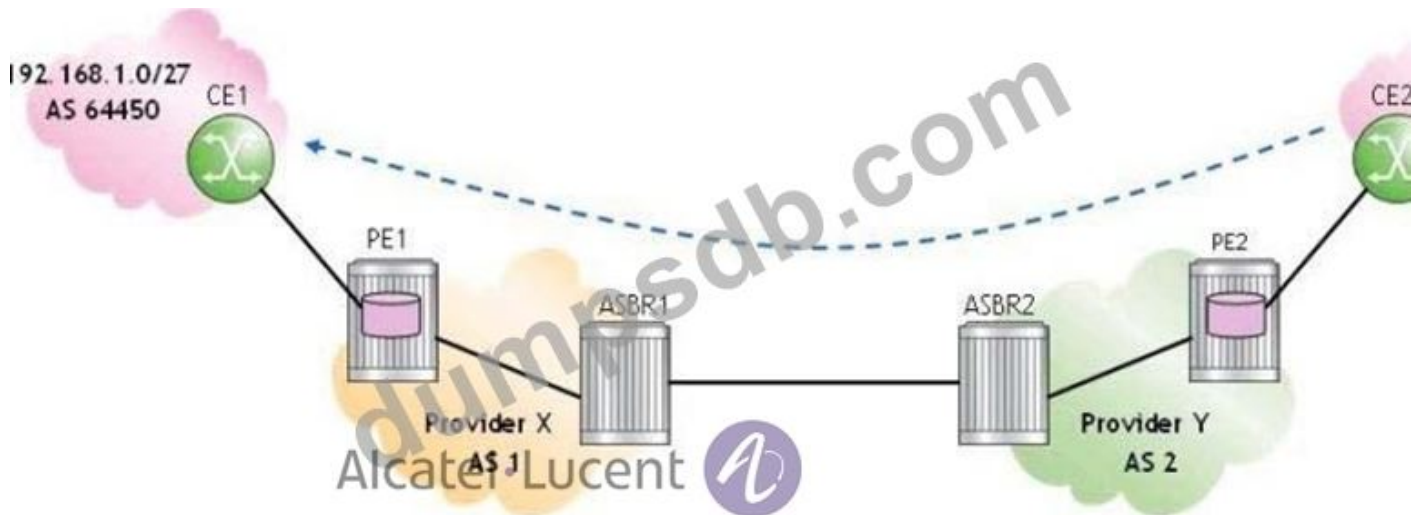
Which of the following statements about inter-AS model C VPRNs is FALSE?

- A. VPN-IPv4 routes are neither held, nor re-advertised, by the ASBRs.
- B. ASBRs exchange labeled IPv4 routes for the system addresses of PE routers.
- C. Each ASBR propagates the routes received from its neighbor ASBR as labeled IPv4 routes in its own AS.
- D. ASBRs exchange customer routes as labeled IPv4 routes.

Answer: ([SHOW ANSWER](#))

NEW QUESTION: 140

Click the exhibit.



For the inter-AS model B VPRN, which of the following is TRUE when CE2 sends an IP packet to 192.168.1.1?

- A. PE1 pops one label off the IP packet and forwards it to CE1.
- B. PE2 pushes one label on the IP packet and forwards it to ASBR2.
- C. ASBR1 sends the IP packet with one label to PE1
- D. ASBR2 sends the IP packet with one label to ASBR1.

Answer: D (LEAVE A REPLY)

NEW QUESTION: 141

What command is required to configure the PE devices for a VPRN service on an Nokia 7750 SR?

- A. Address-family vprn-ipv4
- B. Family vprn
- C. Family vpn-ipv4
- D. Family vprn-ipv4
- E. Address-family vprn
- F. Address-family vpn-ipv4

Answer: (SHOW ANSWER)

NEW QUESTION: 142

Based on the VPRN BGP decision process, which of the following routes is selected first if the command

"PE1>config>service>vprn> bgp best-path-selection as-path-ignore" is executed?

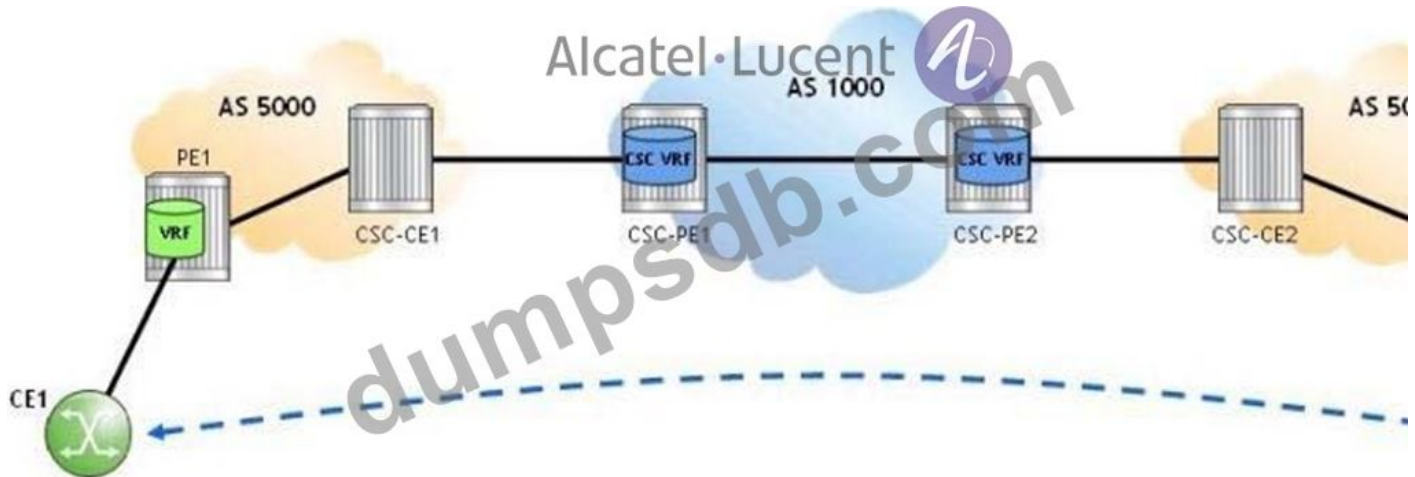
- A. The route learned from an eBGP peer.
- B. The route with the lowest Origin.
- C. The route with the lowest originator ID or BGP Identifier.
- D. The route with the shortest AS path.

Answer: B (LEAVE A REPLY)

Section: Volume B

NEW QUESTION: 143

Click the exhibit.



A Carrier Supporting Carrier (CSC) VPRN is configured on an Alcatel-Lucent 7750 SR for a customer carrier offering VPRN services. Which of the following about this configuration is FALSE?

- A. On the CSC-PE routers, use the "carrier-carrier-vpn" CLI command to configure the VPRN service as CSC.
- B. When the customer carrier uses the same autonomous system number in various sites, use the "loop- detect off" CLI command to disable the loop detection functionality on CSC-CE and PE routers.
- C. In the CSC VPRN, configure an eBGP session between CSC-PE and CSC-CE and use the "advertise- label vpn-ipv4" CLI command to enable the advertisement of VPN-IPv4 routes.
- D. Configure an iBGP session between PE1 and PE2 and use the "family vpn-ipv4" CLI command to directly exchange end-customer routes learned from CE1 and CE2.

Answer: ([SHOW ANSWER](#))

NEW QUESTION: 144

In a VPRN, how does the service provider ensure that customer addresses are unique when multiple customers use the same address space?

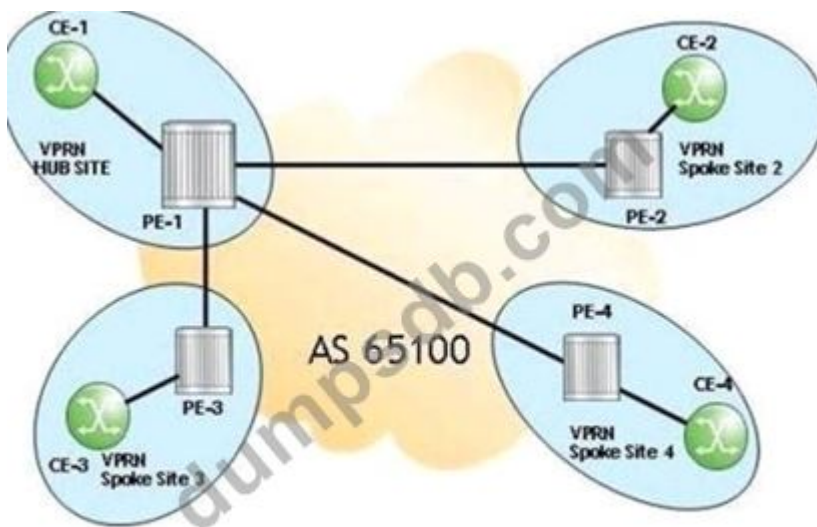
- A. It is the customer responsibility to ensure their address space is unique
- B. The Route Distinguisher ensures that addresses are unique between customers.
- C. The Route Target ensures that addresses are unique between customers
- D. The provider will advise the customers to change their addresses
- E. The provider will use NAT to ensure that addresses are unique between customers

Answer: B ([LEAVE A REPLY](#))

Section: Volume A

NEW QUESTION: 145

Click the exhibit.



```
community "Hub_Site" members "target:65100:1"
community "Spoke_Sites" members "target:65100:2"
```

For the PE hub and spoke VPRN, on which PE(s) should the VPRN service command target export target: 65100:1 import target: 65100: 2 " be configured?

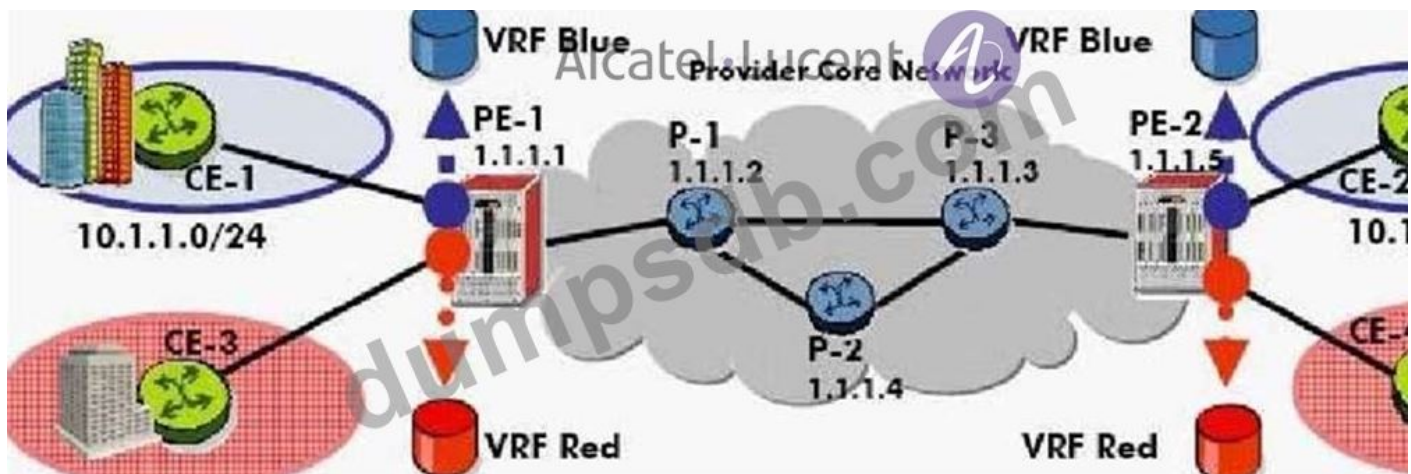
- A. PE1
- B. This command is not required for the configuration of this PE hub and spoke VPRN.
- C. PE2, PE3 and PE4
- D. PE1, PE2, PE3 and PE4

Answer: A ([LEAVE A REPLY](#))

NEW QUESTION: 146

Which of the following commands on an Alcatel-Lucent 7750 SR will verify connectivity for a VPRN service

<service-id> when issued from the PE?

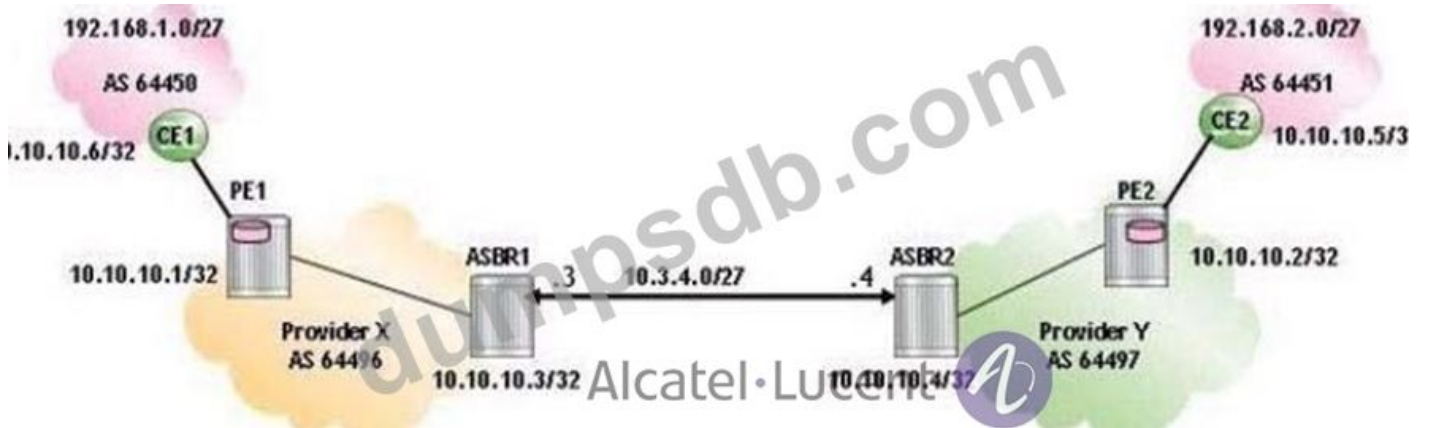


- A. oam vprn-ping <service-id> source <source-ip> destination <destination-ip>
- B. oam <service-id> vprn-ping source <source-ip> destination <destination-ip>
- C. Ping <destination-ip> source <source-ip>
- D. vprn-ping router <service-id> <destination-ip>

Answer: ([SHOW ANSWER](#))

NEW QUESTION: 147

Click the exhibit.



For the inter-AS model B VPRN, which of the following is the correct BGP configuration on ASBR1?

A. ASBR1>config>router>bgp# info

Alcatel-Lucent

1

```
-----
enable-inter-as-vpn
group "ASBR"
family ipv4
neighbor 10.10.10.4
type external
peer-as 64497
exit
```

B. ASBR1>config>router>bgp# info

```
-----
enable-inter-as-vpn
group "ASBR"
family vpn-ipv4
neighbor 10.10.10.4
type external
peer-as 64497
exit
```

C. ASBR1>config>router>bgp# info

```
-----
enable-inter-as-vpn
group "ASBR"
family vpn-ipv4
neighbor 10.3.4.4
type external
peer-as 64497
exit
```

D. ASBR1>config>router>bgp# info

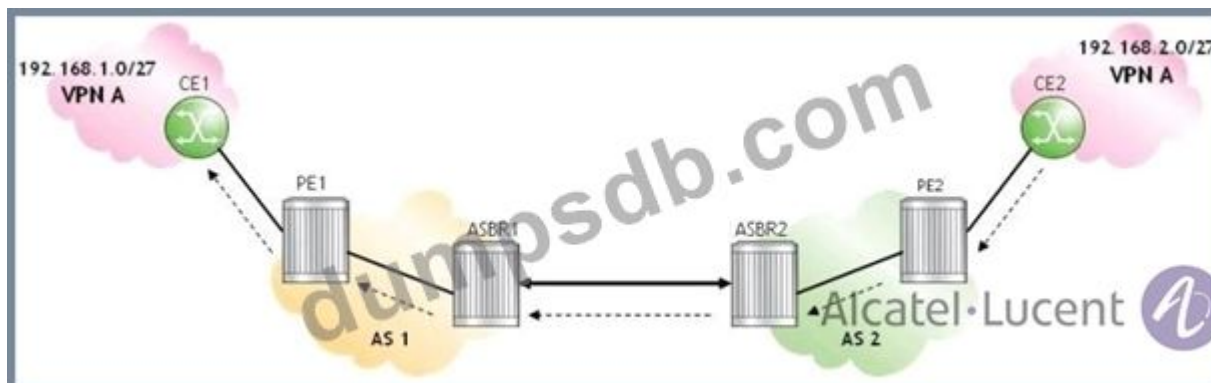
```
-----
enable-inter-as-vpn
group "ASBR"
family ipv4
neighbor 10.3.4.4
next-hop-self
type external
peer-as 64497
exit
```

- A. Option B
- B. Option D
- C. Option C
- D. Option A

Answer: ([SHOW ANSWER](#))

NEW QUESTION: 148

Click the exhibit.



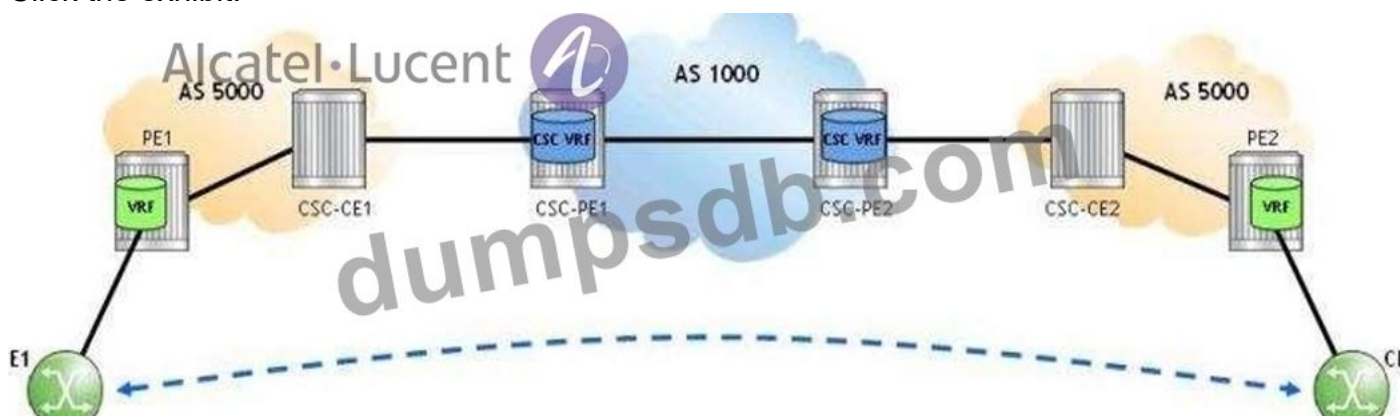
For the inter-AS model A VPRN, which of the following is FALSE when CE2 sends an IP packet to 192.168.1.1?

- A. PE2 pushes two labels on the IP packet and label-switches the packet to ASBR2.
- B. ASBR1 pushes two labels on the IP packet and label-switches the packet to PE1.
- C. CE2 forwards an unlabeled IP packet to PE2 via the VPRN interface.
- D. ASBR2 pops one label from the IP packet and label-switches it to ASBR1.

Answer: D ([LEAVE A REPLY](#))

NEW QUESTION: 149

Click the exhibit.



A Carrier Supporting Carrier (CSC) VPRN is configured on an Alcatel-Lucent 7750 SR for a customer carrier offering VPRN services. Which of the following about this configuration is FALSE?

- A. In the CSC VPRN, configure an eBGP session between CSC-PE and CSC-CE and use the "advertise-label vpn-ipv4" CLI command to enable the advertisement of VPN-IPv4 routes.
- B. When the customer carrier uses the same autonomous system number in various sites, use the "loop-detect off" CLI command to disable the loop detection functionality on CSC-CE and PE routers.
- C. On the CSC-PE routers, use the "carrier-carrier-vpn" CLI command to configure the VPRN service as CSC.

D. Configure an iBGP session between PE1 and PE2 and use the "family vpn-ipv4" CLI command to directly exchange end-customer routes learned from CE1 and CE2.

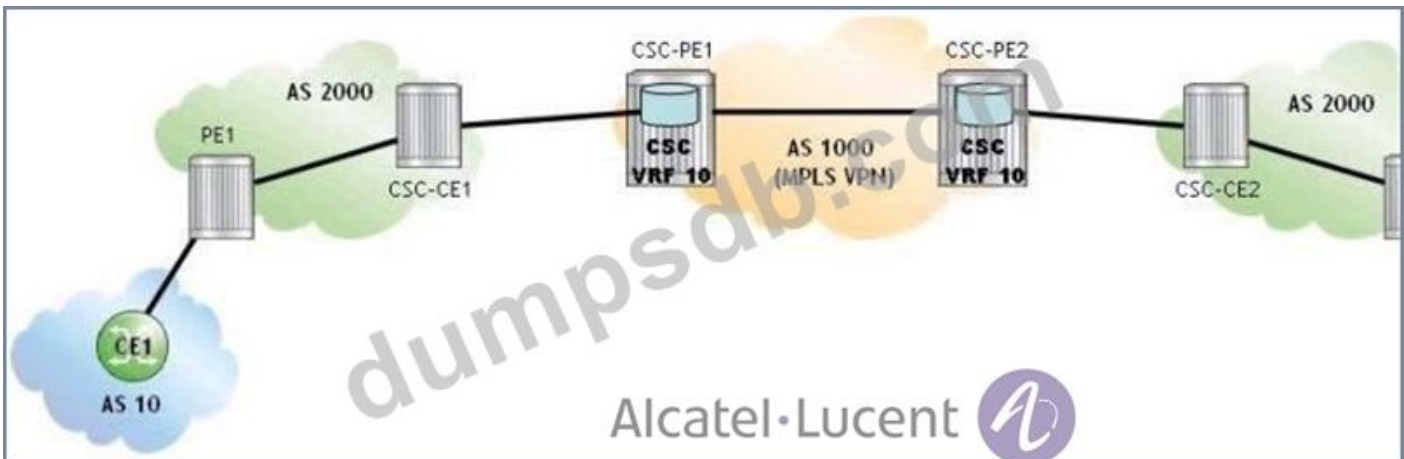
Answer: A (LEAVE A REPLY)

Section: Volume A

Explanation

NEW QUESTION: 150

Click the exhibit.



A Carrier Supporting Carrier (CSC) VPRN is configured for a customer carrier who is an Internet Service Provider (ISP). Which of the following about route distribution is FALSE?

- A. The global routing table of PE1 includes PE2's system address.
- B. The VRF 10 on CSC-PE2 includes CE1'S address.
- C. The global routing table of PE2 includes CE1's address.
- D. The VRF 10 on CSC-PE1 includes PE1 and PE2's system addresses.

Answer: B (LEAVE A REPLY)

NEW QUESTION: 151

In a Carrier Supporting Carrier (CSC) VPRN, which of the following is NOT a benefit to the network provider?

- A. The solution scales as the number of VPNs offered by the customer carriers increases.
- B. The solution scales as the number of serviced customer carriers increases.
- C. There is no need to manage end-customer services.
- D. The solution scales as the number of end-customer routes increases.

Answer: B (LEAVE A REPLY)

Valid 4A0-106 Dumps shared by TrainingQuiz.com for Helping Passing 4A0-106 Exam! TrainingQuiz.com now offer the **newest 4A0-106 exam dumps**, the TrainingQuiz.com 4A0-106 exam **questions have been updated** and **answers have been corrected** get the **newest** TrainingQuiz.com 4A0-106 dumps with Test Engine here:

NEW QUESTION: 152

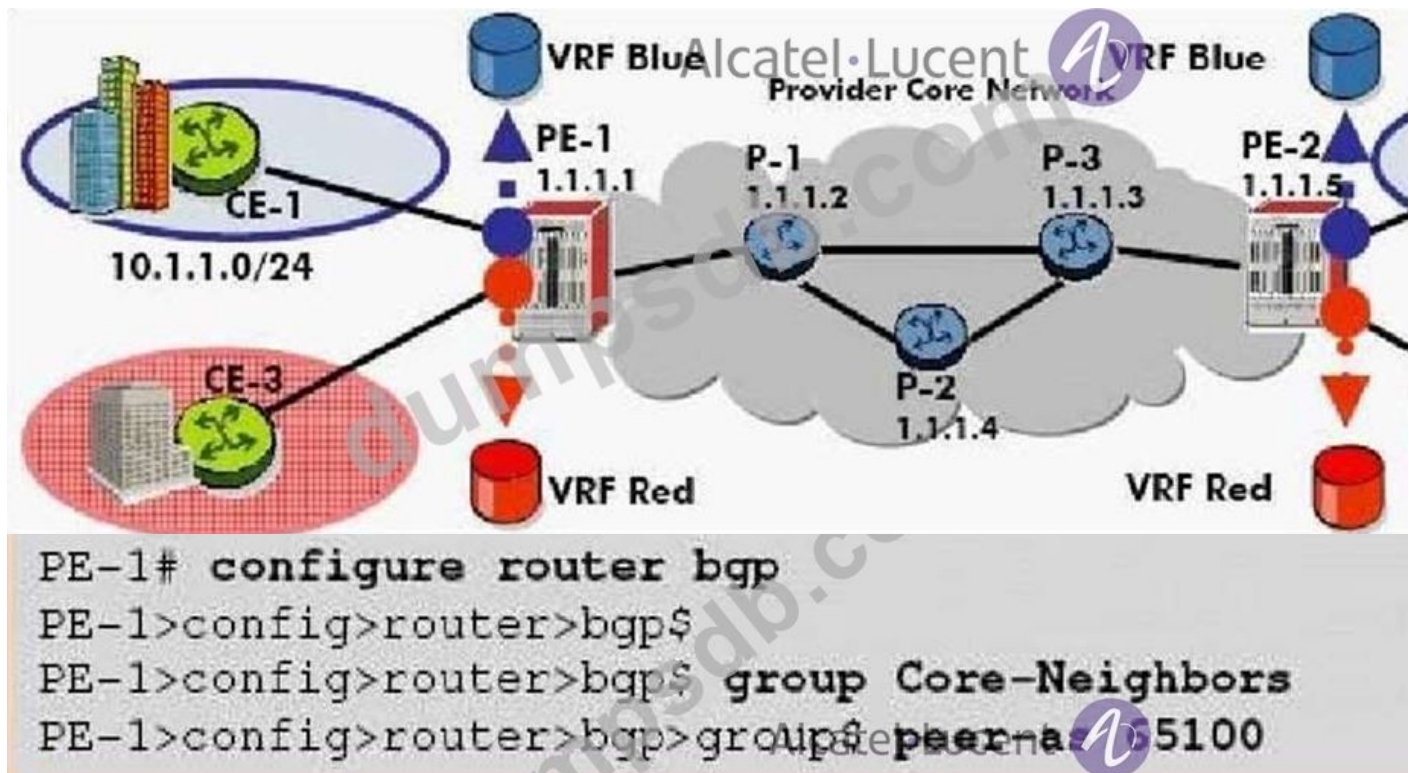
When does a router add a Route Target to a route?

- A. When the PE exports the route from the VRF into the MP-BGP table.
- B. When the P receives the route from the PE.
- C. When the PE populates the route received from the CE into the VRF.
- D. When the PE propagates the route to the CE.

Answer: ([SHOW ANSWER](#))

NEW QUESTION: 153

Which command is required in the blank line to complete the configuration shown below on an Alcatel- Lucent 7750 SR?



- A. No shutdown
- B. Sap 1/1/1 create
- C. Neighbor 192.168.1.2
- D. Sap 1/1/1 customer 10 create

Answer: B ([LEAVE A REPLY](#))

NEW QUESTION: 154

What are the main functions of a Layer 3 VPN? (Choose three).

- A. Distributing customer routing information between sites
- B. Forwarding customer data packets
- C. Providing an integrated billing solution

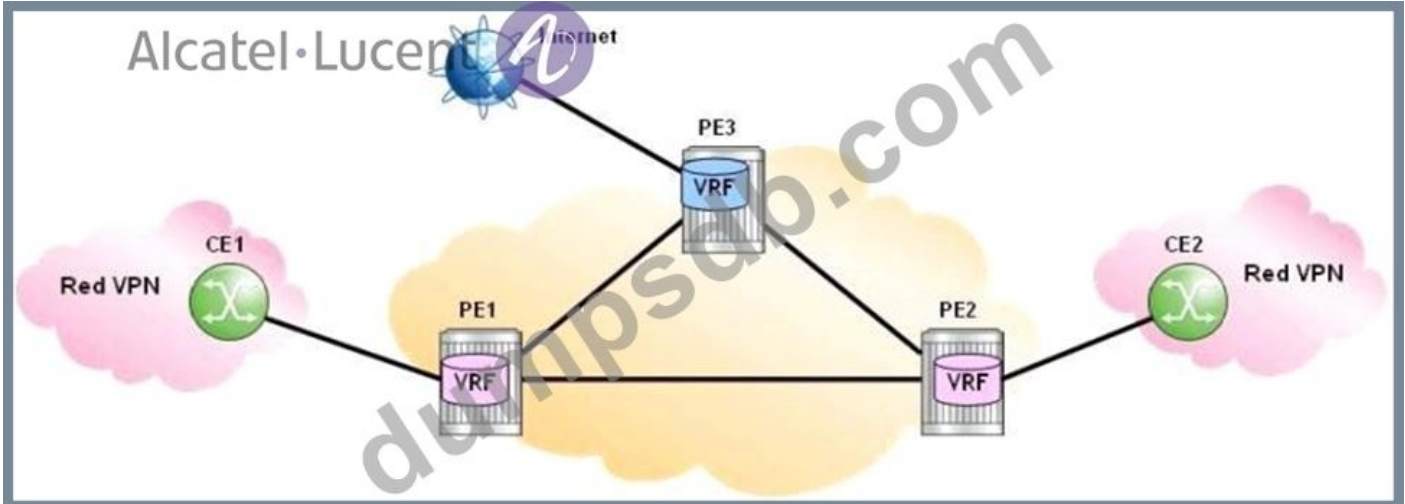
- D. Maintaining separation between distinct customer networks
- E. Allowing the implementation of Layer 3 devices in the provider core

Answer: ([SHOW ANSWER](#))

Section: Volume A

NEW QUESTION: 155

Click the exhibit.



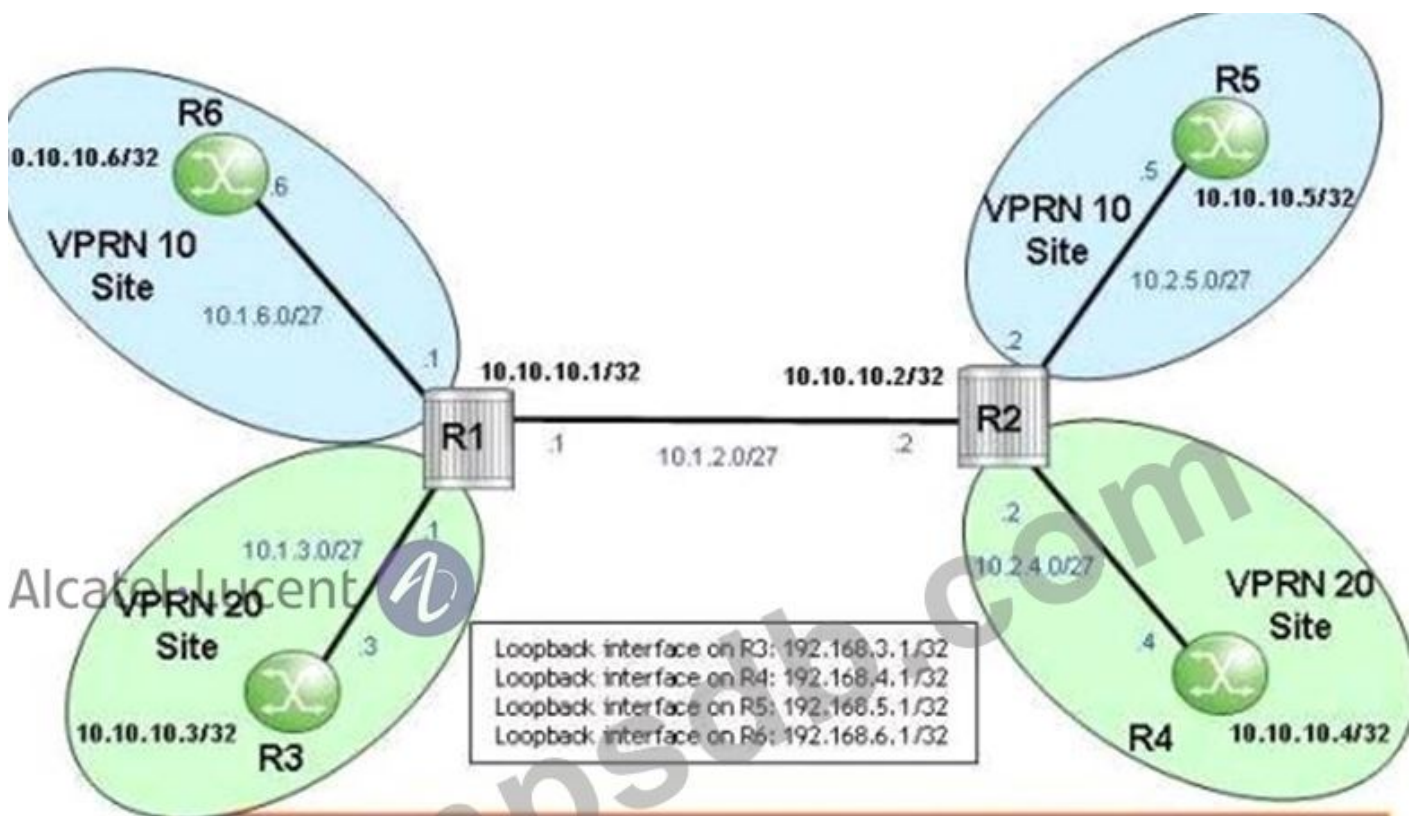
PE3 learns Internet routes via its VRF interface to the Internet peering router and stores them in its Internet VRF. CE1 is connected to the Red VPN and requires Internet access via its Red VRF interface. Which of the following statements do not fulfill this requirement?

- A. PE1 imports all Internet routes and advertises them to CE1 via the Red VRF.
- B. PE3 advertises a default route from its Internet VRF instead of advertising all Internet routes.
- C. PE1 advertises the Red VPN routes and a default route to PE3.
- D. The Internet VRF on PE3 imports the Red VPN routes advertised by PE1.

Answer: C ([LEAVE A REPLY](#))

NEW QUESTION: 156

Click the exhibit.



```
*R1# show router 10 route-table
=====
Route Table (Service: 10)
=====
Dest Prefix                               Type  Proto  Age           Pref
Next Hop[Interface Name]                 Metric
-----
10.1.3.0/27                               Remote BGP VPN 00h30m38s    0
  Local VRF [20:toR3]                      0
10.1.6.0/27                               Local   Local  02h13m20s    0
  toR6                                       0
10.2.5.0/27                               Remote BGP VPN 00h30m37s   170
  10.10.10.2 (tunneled)                     0
192.168.3.1/32                             Remote BGP VPN 00h30m39s   10
  Local VRF [20:toR3]                      0
192.168.5.1/32                             Remote BGP VPN 00h30m37s   170
  10.10.10.2 (tunneled)                     0
192.168.6.1/32                             Remote  OSPF  02h13m10s   10
  10.1.6.6                                  100
-----
No. of Routes: 6
```

Which VPRN type produces the output shown on router R1?

- A. An extranet VPRN
- B. A full mesh VPRN
- C. APE hub and spoke VPRN
- D. ACE hub and spoke VPRN

Answer: A ([LEAVE A REPLY](#))

NEW QUESTION: 157

Which of the following about an Alcatel-Lucent 7750 SR MP-BGP update is FALSE? Assume default behavior.

- A. Traditional BGP attributes and MP-BGP attributes are present in an MP-BGP update.

- B. On a specific PE, the MP-BGP updates for prefixes from a single VPRN carry different labels.
- C. There can only be one Route Distinguisher per route in an MP-BGP update.
- D. There can be multiple Route Targets per route in an MP-BGP update.
- E. An MP-BGP update carries an MPLS label that is used as the service label for a VPRN.

Answer: ([SHOW ANSWER](#))

NEW QUESTION: 158

If Route Reflector 1 (RR1) is used for Internet routes, and Route Reflector 2 (RR2) is used for VPN routes, which of the following is TRUE?

- A. BGP sessions established between RR2 and the PEs support IPv4 and VPN-IPv4 address families.
- B. BGP sessions established between RR1 and the PEs support the IPv4 address family only.
- C. BGP sessions established between RR1 and the PEs support IPv4 and VPN-IPv4 address families.
- D. BGP sessions established between RR2 and the PEs support the IPv4 address family only.

Answer: B ([LEAVE A REPLY](#))

Section: Volume B

NEW QUESTION: 159

Which of the following statements about inter-AS model C VPRNs is FALSE?

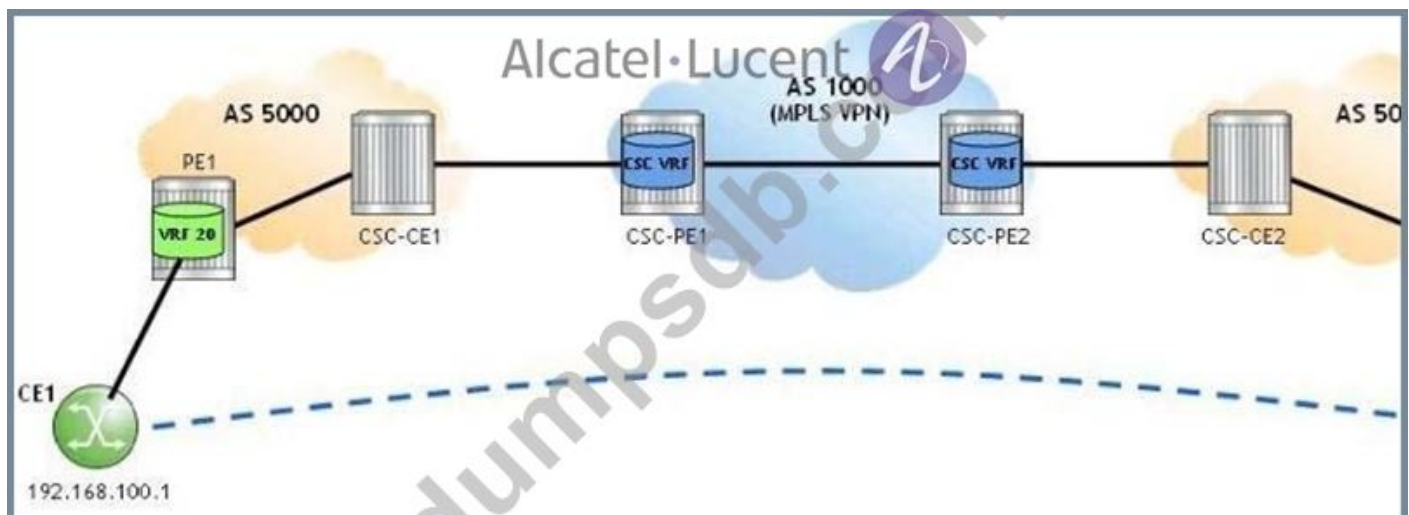
- A. VPN-IPv4 routes are neither held, nor re-advertised, by the ASBRs.
- B. Each ASBR propagates the routes received from its neighbor ASBR as labeled IPv4 routes in its own AS.
- C. ASBRs exchange labeled IPv4 routes for the system addresses of PE routers.
- D. ASBRs exchange customer routes as labeled IPv4 routes.

Answer: D ([LEAVE A REPLY](#))

Section: Volume B

NEW QUESTION: 160

Click the exhibit.



A Carrier Supporting Carrier (CSC) VPRN is configured for a customer carrier who is a BGP/MPLS service provider. If CE1 sends an IP packet to 192.168.200.1, which of the following is FALSE?

- A. CSC-PE2 pops the LDP and VPN labels and pushes a BGP label.
- B. CSC-CE1 pops the LDP label and swaps the BGP label.
- C. PE1 pushes a VPN label, a BGP label, and an LDP transport label on the IP packet.
- D. CSC-PE1 pops the BGP label, swaps the VPN label, and pushes an LDP transport label.

Answer: D ([LEAVE A REPLY](#))

NEW QUESTION: 161

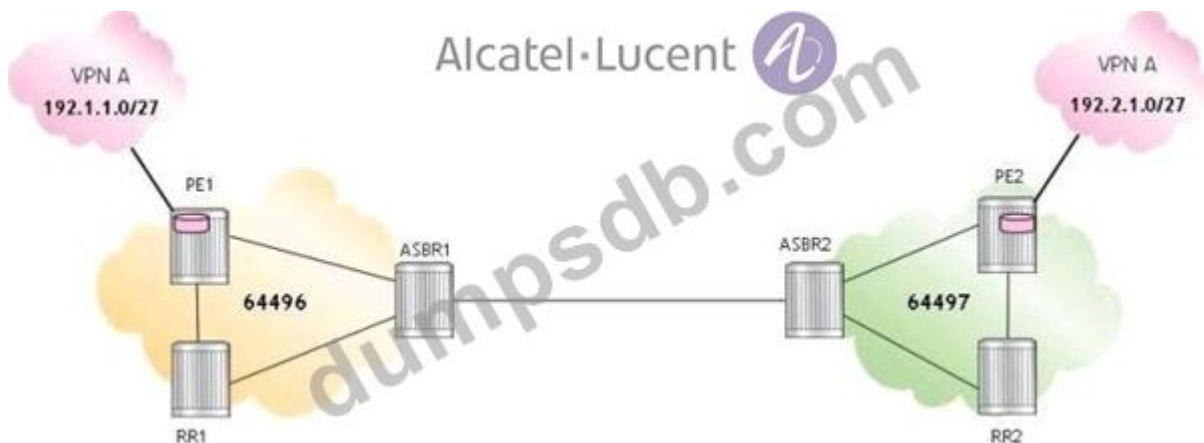
Which of the following describes how a route is handled when is received at the PE from the local CE?

- A. It will be placed into the customer VRF and automatically propagated into the BGP table
- B. It will be placed into the customer VRF and require an export policy to be propagated to the BGP table
- C. It will be placed into the customer VRF and require an export policy to be placed into the BGP table if a protocol other than BGP is used as the PE-CE protocol
- D. It will be placed into the customer VRF and then be propagated to the BGP table only if BGP is used as the PE-CE protocol
- E. It will be placed into the customer VRF and require an export policy to be propagated to the BGP table if RIP is used as the PE-CE protocol

Answer: A ([LEAVE A REPLY](#))

NEW QUESTION: 162

Click the exhibit.



For the inter-AS model C VPRN, which of the following is FALSE when an IP packet is sent from 192.1.1.1 to 192.2.1.1?

- A. ASBR1 pops the LDP label, swaps the BGP label and forwards the IP packet to ASBR2.
- B. PE1 pushes two labels on the IP packet and forwards it to ASBR1.
- C. PE2 pops the labels and forwards the unlabeled IP packet to its destination.
- D. ASBR2 forwards the IP packet with two labels to PE2.

Answer: B ([LEAVE A REPLY](#))

NEW QUESTION: 163

What are the two primary problems the service provider must consider when providing traditional Layer 3 VPN services using only a single common routing table in the provider core? (Choose two)

- A. CPU utilization for route processing
- B. Memory exhaustion in the provider core
- C. Route leaking between the customer networks
- D. Unwanted packet forwarding between customer networks

Answer: ([SHOW ANSWER](#))

NEW QUESTION: 164

An advantage of using BGP as the PE-CE protocol is that route policies are no longer required to control the exchange of routes from BGP to MP-BGP.

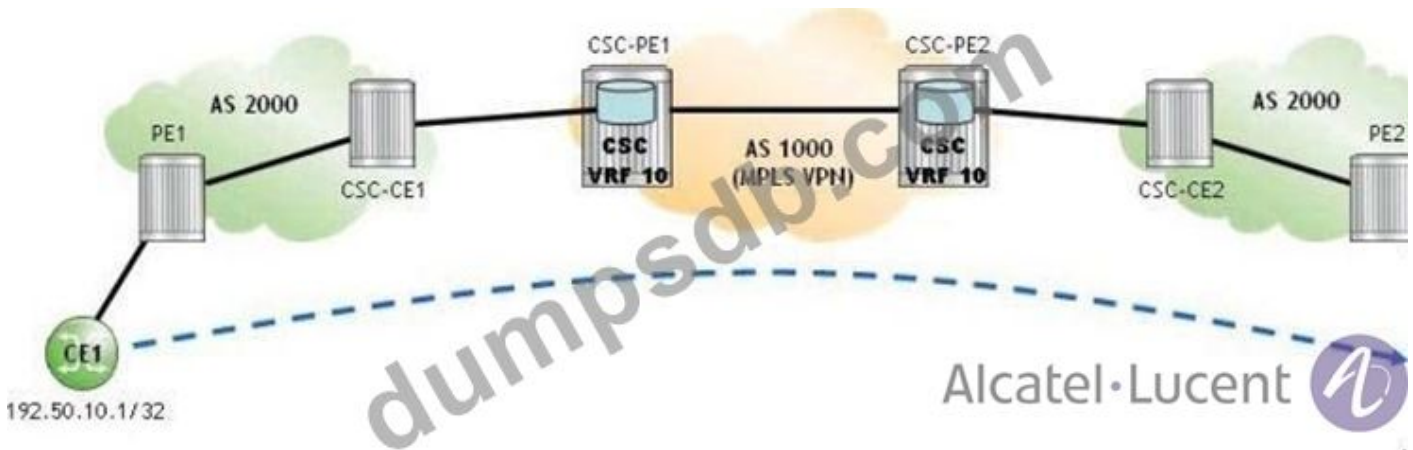
- A. True
- B. False

Answer: B ([LEAVE A REPLY](#))

Section: Volume A

NEW QUESTION: 165

Click the exhibit.



A Carrier Supporting Carrier (CSC) VPRN is configured for a customer carrier who is an Internet Service Provider (ISP). If CE1 sends an IP packet to 192.60.100.1, which of the following is FALSE?

- A. CSC-PE2 pops the MPLS transport label and pushes a BGP label.
- B. CSC-CE2 pops the BGP label and pushes an LDP transport label.
- C. PE1 pushes an LDP transport label.
- D. CSC-PE1 pops the BGP label and pushes two labels: a VPN label and an MPLS transport label.

Answer: A ([LEAVE A REPLY](#))

NEW QUESTION: 166

An SDP has been configured for a VPRN service using an existing MPLS LSP and the configuration shown below. Which of the statements below is true about the configuration on an Nokia 7750 SR?

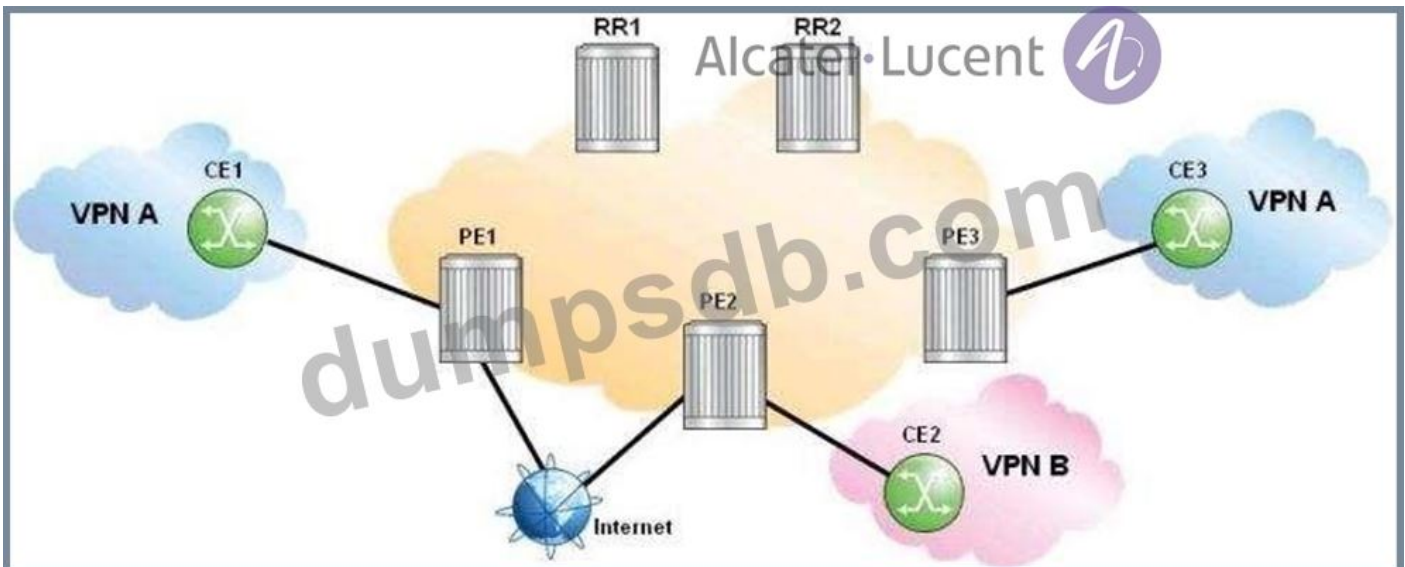
- A. The configuration is incorrect as VPRN service does not support spoke-sdp configuration using MPLS LSPs
- B. The configuration is incomplete as the signaling off command is missing
- C. The configuration is incorrect as Line 8 should be poke-sdp 42 mpls create
- D. The configuration is incomplete as the uto-bind command is missing
- E. The configuration is complete and correct

Answer: B (LEAVE A REPLY)

Valid 4A0-106 Dumps shared by TrainingQuiz.com for Helping Passing 4A0-106 Exam! TrainingQuiz.com now offer the **newest 4A0-106 exam dumps**, the TrainingQuiz.com 4A0-106 exam **questions have been updated** and **answers have been corrected** get the **newest** TrainingQuiz.com 4A0-106 dumps with Test Engine here:
<https://www.trainingquiz.com/4A0-106-practice-quiz.html> (215 Q&As Dumps, **40%OFF Special Discount: Exam-Tests**)

NEW QUESTION: 167

Click the exhibit.



All sites in the displayed network require Internet access. Route reflector 1(RR1) is used for Internet routes only and route reflector 2(RR2) is used for VPN routes only. Which of the following is FALSE?

- A. BGP sessions between RR1 and PE routers support only the IPv4 address family.
- B. BGP sessions between RR2 and PE routers support only the VPN-IPv4 address family.
- C. RR2 establishes BGP sessions with PE1, PE2 and PE3.

D. RR1 establishes BGP sessions only with PE1 and PE2.

Answer: D (LEAVE A REPLY)

Section: Volume B

Valid 4A0-106 Dumps shared by TrainingQuiz.com for Helping Passing 4A0-106 Exam!
TrainingQuiz.com now offer the **newest 4A0-106 exam dumps**, the TrainingQuiz.com
4A0-106 exam **questions have been updated** and **answers have been corrected** get the
newest TrainingQuiz.com 4A0-106 dumps with Test Engine here:
<https://www.trainingquiz.com/4A0-106-practice-quiz.html> (215 Q&As Dumps, **40%OFF Special**
Discount: Exam-Tests)