

Cisco.300-835.v2026-03-23.q115

Exam Code:	300-835
Exam Name:	Automating and Programming Cisco Collaboration Solutions
Certification Provider:	Cisco
Free Question Number:	115
Version:	v2026-03-23
# of views:	136
# of Questions views:	1150
https://www.dumpsdb.com/dumps/Cisco/300-835/Cisco.300-835.v2026-03-23.q115	

NEW QUESTION: 1

This Python script automates the creation of a Webex Teams space and adds participants to the space. Drag and drop code on the snippet to complete the script. Not all options are used.

Answer Area

```
import requests

head = { 'Content-Type': ' ',
        'Authorization': 'Bearer NWU4NjQ0YWU0tNjYiMWMwY_417f-ae0e10f' }

res = requests.post(url = 'https://api.ciscospark.com/v1/rooms/',
                   headers = head, json = { ' ': 'Populate members' })

spaceId = res.json()['id']

members = ['ToEnglish@webex.bot', 'ToSpanish@webex.bot']
for members in members:
    requests.post(url='https://api.ciscospark.com/v1/ ',
                 headers = head,
                 json = ({ 'roomId': spaceId, ' ': member}))
```

/memberships

person

title

/rooms

/spaces

personEmail

application/xml

application/json

name

/members

Answer:

Answer Area

```
import requests

head = { 'Content-Type': 'application/json ',
        'Authorization': 'Bearer NWU4NjQ0YWUtNjY1tMWMMy_-417f-ae0e10f' }

res = requests.post(url = 'https://api.ciscospark.com/v1/rooms/',
                   headers = head, json = { 'name': 'Populate members' })

spaceId = res.json()['id']

members = ['ToEnglish@webex.bot', 'ToSpanish@webex.bot']
for members in members:
    requests.post(url='https://api.ciscospark.com/v1/personEmail/',
                 headers = head,
                 json = { 'roomId': spaceId, '/memberships': member})
```

/memberships

person

title

/rooms

/spaces

personEmail

application/xml

application/json

name

/members

NEW QUESTION: 2

Which interface is used to obtain performance counters from Cisco UCM?

- A. Performance Monitoring API
- B. Cisco Unified Reporting GUI
- C. Cisco Unified Serviceability GUI
- D. Cisco Unified Operating System Administration GUI

Answer: A (LEAVE A REPLY)

The Performance Monitoring API (Perfmon SOAP API) is the interface used to obtain performance counters from Cisco Unified Communications Manager (UCM). It allows programmatic access to metrics like CPU usage, memory, and call activity for performance monitoring.

NEW QUESTION: 3

Refer to the exhibit.

```

import xows
import asyncio

async def start(ip, usr, pw):
    async with xows.XoWSClient(ip,username=usr, password=pw) as client:
        async def callback(data, id_):
            if id_ == 0:
                <SNIPPET>

        await client.subscribe(['Status', 'Audio', 'Volume'], callback, True)
        await client.wait_until_closed()

asyncio.run(start('10.10.10.1', 'admin', 'T357c45e'))

```

An administrator is creating a script using the Python xAPI over WebSockets(pyxows) library. The goal of this script is to monitor the volume of the endpoint and set the volume to 60 whenever the volume has been set higher than that amount. Which code snippet accomplishes this task when it is added?

- A.

```
if data ['Status']['Audio']['Volume'] > 60:
    await client.xCommand(['Audio', 'Volume', 'Set'], Level=60)
```
- B.

```
if data ['Status']['Audio']['Volume'] > 60:
    await client.xGet(['Status', 'Audio', 'Volume'])
```
- C.

```
if data ['Status']['Audio']['Volume'] > 60:
    await client.subscribe(['Status', 'Audio', 'Volume'].callback, Level=60))
```
- D.

```
if data ['Status']['Audio']['Volume'] > 60:
    await client.xset(['Configuration', 'Audio', 'DefaultVolume'], 60))
```

- A. Option A
- B. Option C
- C. Option B
- D. Option D

Answer: ([SHOW ANSWER](#))

NEW QUESTION: 4

Which two methods can be used to add a custom UI panel to a Webex room device? (Choose two.)

- A. Restore a device backup file present on a PC that contains a panel configuration.
- B. Create a panel using the device UI Extensions Editor (previously In-Room Controls).
- C. Import an existing panel configuration file by connecting a USB storage drive to the device.
- D. From a T-shell session, use the git command to merge the XML configuration of a panel.
- E. Use xAPI to push a JSON panel configuration to the device.

Answer: B,E ([LEAVE A REPLY](#))

NEW QUESTION: 5

Drag and Drop Question

Refer to the exhibit. Drag and drop the code snippets from the bottom onto the blanks in the Python script to monitor how many people are in Room 70 by using xAPI and RoomAnalytics. Not all options are used.

The screenshot shows the Cisco Room Analytics API documentation for the endpoint `GET Status PeopleCount`. The URL is `http://192.168.1.32/getxml?location=/Status/RoomAnalytics/PeopleCount`. The headers section includes `Authorization: Basic cmVtb3Rlc3Vwc69ydDo2U582a0JDYnJ00Qo=` and `location: /Status/RoomAnalytics/PeopleCount`. Below the documentation, there is a Python code snippet for a requests call. A large watermark "dumpsdb.com" is overlaid on the image.

room analytics
Available only on room devices

GET Status PeopleCount

`http://192.168.1.32/getxml?location=/Status/RoomAnalytics/PeopleCount`

HEADERS

Authorization Basic cmVtb3Rlc3Vwc69ydDo2U582a0JDYnJ00Qo=

location /Status/RoomAnalytics/PeopleCount

Example Request Status PeopleCount

```
import requests

url = "http://192.168.1.32/getxml?location=/Status/RoomAnalytics/PeopleCount"

payload={}
headers = {
    'Authorization': 'Basic cmVtb3Rlc3Vwc69ydDo2U582a0JDYnJ00Qo='
}
```

[View More](#)

Answer Area

```
import requests
import os
import xml.etree.ElementTree as ET

def ():
    url = "http://{endpoint}/getxml?location=/Status/RoomAnalytics/PeopleCount".
    format(endpoint=os.getenv("ROOM_ID"))
    payload={}
    headers = {
        'Authorization': 'Basic {token}'. (token=os.getenv("TOKEN"))
    }
    response = requests.request(, url, headers=headers,
    data=payload,
    verify=False)
    responseXml = ET.fromstring()

    count_people_res = responseXml.find('RoomAnalytics').find('PeopleCount')
    count_people_res = int(count_people_res.find('Current').text)

    if count_people_res > 0:
        print('There is {count_people}'.format(count_people=count_people_res))
    else:
        print('There is nobody')
if __name__ == "__main__":
    count_people()
```

Answer:

Answer Area

```
import requests
import os
import xml.etree.ElementTree as ET

def count_people():
    url = "http://{endpoint}/getxml?location=/Status/RoomAnalytics/PeopleCount".
    format(endpoint=os.getenv("ROOM_ID"))
    payload={}
    headers = {
        'Authorization': 'Basic {token}'.format(token=os.getenv("TOKEN"))
    }
    response = requests.request("GET", url, headers=headers,
    data=payload,
    verify=False)
    responseXml = ET.fromstring(response.text)
    count_people_res = responseXml.find('RoomAnalytics').find('PeopleCount')
    count_people_res = int(count_people_res.find('Current').text)

    if count_people_res > 0:
        print('There is {count_people}'.format(count_people=count_people_res))
    else:
        print('There is nobody')
if __name__ == "__main__":
    count_people()
```

PeopleCount

POST

response.json

Explanation:

The function is named count_people()- matching the intended behavior.

format() is used to inject environment variables into the URL and Authorization header.

The GET method is appropriate for retrieving data via xAPI.

response.text is parsed as XML for the people count reading.

NEW QUESTION: 6

Another administrator deletes the IPSec trust store from UCM's Security > Certificate Management page. Which of the following is most likely to be affected by this change?

- A. deletion of old backup devices from a DRS schedule
- B. access to network storage location configuration
- C. encrypted communication between DRS Master Agents and Local Agents
- D. encryption of DRS backups made prior to the change
- E. addition of new backup devices to a DRS schedule

Answer: C ([LEAVE A REPLY](#))

NEW QUESTION: 7

Drag and drop the botkit functions from the left onto the correct actions on the right.

Answer Area

hears()	Adds a question to the thread and evaluate the answer.
ask()	Sends a message with no pause for response.
say()	Replies to an incoming message.
reply()	Listens for keyword, phrases, or patterns in messages from users.

Answer:

Answer Area

hears()	ask()
ask()	say()
say()	reply()
reply()	hears()

NEW QUESTION: 8

After registering your webex room phone, the member wants to view system messages for error reports. Where can the system messages be viewed in the room phone? (Choose two.)

- A. Issues and Diagnostics > Status Messages
- B. Issues and Diagnostics > System messages
- C. Menu options > Settings
- D. Settings > About the device
- E. Menu options > messages

Answer: A,C ([LEAVE A REPLY](#))

NEW QUESTION: 9

A developer for a large company must change the logo on all Cisco collaboration room devices and a base64 image has already been provided. Drag and drop the code snippets from the bottom onto the boxes in the Python script to update the logo on devices in the 192.168.1.1 to 192.168.1.50 IP range by using the xAPI. Not all options are used.

Select and Place:

Answer Area

```
import requests
img_encoded_b64 = ""
for i in range(1,51):

    url = "http://192.168.1.{}/ [ ] ".format(i)

    payload = "<Command><UserInterface>< [ ] ><Upload><Type>Branding</Type>
</Upload></Branding></UserInterface></Command><body>"
    .format(img_encoded_b64=img_encoded_b64)

    headers = {
    'Content-Type': 'text/xml',

    'Authorization': ' [ ] cyadufiuwgolescytfadzrqytu='

    }

    response = requests.request(" [ ] ", url, headers=headers, data=payload)
```

- xml
- putxml
- Logo
- Branding
- POST
- PUT
- Basic

Answer:

Answer Area

```
import requests
img_encoded_b64 = ""
for i in range(1,51):

    url = "http://192.168.1.{}/ [ putxml ] ".format(i)

    payload = "<Command><UserInterface>< [ Branding ] ><Upload><Type>Branding</Type>
</Upload></Branding></UserInterface></Command><body>"
    .format(img_encoded_b64=img_encoded_b64)

    headers = {
    'Content-Type': 'text/xml',

    'Authorization': ' [ Basic ] cyadufiuwgolescytfadzrqytu='

    }

    response = requests.request(" [ POST ] ", url, headers=headers, data=payload)
```

- xml
- putxml
- Logo
- Branding
- POST
- PUT
- Basic

NEW QUESTION: 10

Drag and Drop Question

Drag and drop the git commands/steps from the left into the correct order on the right to make changes and submit code to a remote repository.

Answer Area

git add main.py	
git commit -m "fix for #234"	
git clone https://github.com/CiscoDevNet/repo.git	
git push origin master	
Edit file main.py	

Answer:

Answer Area

	git clone https://github.com/CiscoDevNet/repo.git
	Edit file main.py
	git add main.py
	git commit -m "fix for #234"
	git push origin master

NEW QUESTION: 11

After the AXL query ns:updatePhone is used to upgrade a phone configuration successfully, the phone does not reflect the change. Which other method must be performed for the change to take effect?

- A. ns:savePhone
- B. ns:getPhone
- C. ns:restartPhone
- D. ns:rebootPhone

Answer: C ([LEAVE A REPLY](#))

NEW QUESTION: 12

```
<xsd:complexType name="metaDataType">
  <xsd:sequence>
    <xsd:element name="confName" type="xsd:string" minOccurs="0"/>
    <xsd:element name="meetingType" type="xsd:long" default="-1" minOccurs="0"/>
    <xsd:element name="agenda" minOccurs="0">
      <xsd:simpleType>
        <xsd:restriction base="xsd:string">
          <xsd:maxLength value="2500"/>
        </xsd:restriction>
      </xsd:simpleType>
    </xsd:element>
    <xsd:element name="greeting" type="xsd:string" minOccurs="0"/>
    <xsd:element name="location" type="xsd:string" minOccurs="0"/>
    <xsd:element name="invitation" type="xsd:string" minOccurs="0"/>
    <xsd:element name="setNonMTOptions" type="xsd:boolean" minOccurs="0"/>
    <xsd:element name="sessionTemplate" type="com:sessionTemplateType" minOccurs="0"/>
    <xsd:element name="isInternal" type="xsd:boolean" minOccurs="0"/>
  </xsd:sequence>
</xsd:complexType>
```

Refer to the exhibit. Based on this Webex Meetings XML API schema snippet, which XML object is a valid

<metaData> element?

- A.

```
<metaData>
  <confName>Sample Meeting</confName>
  <meetingType>Event Center</meetingType>
  <agenda>Coding 101</agenda>
  <isInternal>Internal</isInternal>
</metaData>
```

```
<metaData>
  <confName>Sample Meeting</confName>
  <meetingType>105</meetingType>
  <agenda>Coding 101</agenda>
  <isInternal>true</isInternal>
</metaData>
```

B.

```
<metaData>
  <confname>Sample Meeting</confname>
  <meetingType>105</meetingType>
  <agenda>Coding 101</agenda>
  <isInternal>true</isInternal>
</metaData>
```

C.

```
<metaData>
  <confName>Sample Meeting</confName>
  <meetingType>Event Center</meetingType>
  <agenda>Coding 101</agenda>
  <isInternal>no</isInternal>
</metaData>
```

D.

Answer: (SHOW ANSWER)

Section: Meetings

NEW QUESTION: 13

Refer to the exhibit.

```
def my_function(listOfNumbers, b):  
    total1 = b  
    total2 = 0  
  
    for num in listOfNumbers:  
        if num < 5:  
            total1 += num  
        else:  
            total2 += num  
  
    return total1  
  
listOfNums = [4, 3, 9, 1, 7, 2, 9, 0, 6, 8, 5]  
a = my_function(listOfNums, 3)  
print(a)
```

Which value of "a" is displayed when the Python code is executed?

- A. 13
- B. 10
- C. 18
- D. 21

Answer: A ([LEAVE A REPLY](#))

NEW QUESTION: 14

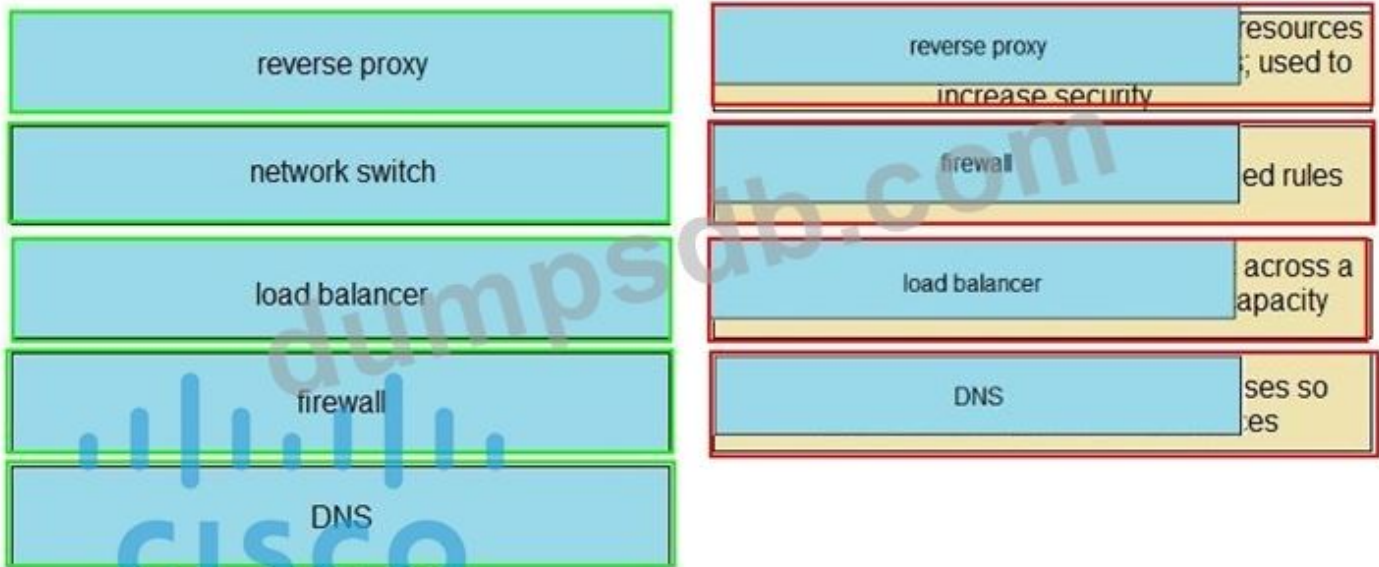
Drag and drop the elements from the left onto the correct descriptions on the right. Not all options are used.

Answer Area

reverse proxy	sits in front of web servers and retrieves resources from the web servers on behalf of clients; used to increase security
network switch	controls incoming traffic based on defined rules
load balancer	device that distributes application traffic across a number of servers; used to increase capacity
firewall	translates domain names to IP addresses so browsers can load Internet resources
DNS	

Answer:

Answer Area



NEW QUESTION: 15

What is a capability of the Macro Editor on a Cisco Webex Device?

- A. It supports multiple programming languages.
- B. It deploys new macros after restarting the application.
- C. It deactivates macros at any time.
- D. It supports keyboard shortcuts that are configured through the web UI.

Answer: C (LEAVE A REPLY)

Section: (none)

Explanation:

The Macro Editor on Cisco Webex Devices allows administrators to activate or deactivate macros at any time without restarting the device or the application. This provides flexibility for controlling script behavior during runtime

NEW QUESTION: 16

Refer to the exhibit.

```

<?xml version="1.0" encoding = "UTF-8"?>
<serv:message xmlns:serv="http://www.webex.com/schemas/2002/06/service"
  xmlns:xsi="http://www.w3.org/2001/XMLSchema-instance">
  <header>
    <securityContext>
      <siteName>apidemoeu</siteName>
      <webExID>alice@example.com</webExID>
      <sessionTicket>AAABb6TooBMAABUYA0gAKgYU0sAAAAE9FpXDKRKO</sessionTicket>
    </securityContext>
  </header>
  <body>
    [REDACTED]
  </body>
</serv:message>

```

Alice is a Webex Meetings admin for her organization. Which code snippet completes a Webex Meetings XML API request that returns all users?

- 1. <bodyContent xsi:type=<java:com.webex.service.binding.user.GetUser">
 <webExID></webExID>
 </bodyContent>
- 2. <bodyContent xsi:type=<java:com.webex.service.binding.user.LstsummaryUser">
 </bodyContent>
- 3. <bodyContent xsi:type=<java:com.webex.service.binding.user.GetUser">
 </bodyContent>
- 4. <bodyContent xsi:type=<java:com.webex.service.binding.user.LstsummaryUser">
 <webExID>*</webExID>
 </bodyContent>

- A. Option C
- B. Option D
- C. Option A
- D. Option B

Answer: D (LEAVE A REPLY)

Valid 300-835 Dumps shared by TrainingQuiz.com for Helping Passing 300-835 Exam!
 TrainingQuiz.com now offer the **newest 300-835 exam dumps**, the TrainingQuiz.com 300-835 exam **questions have been updated** and **answers have been corrected** get the **newest** TrainingQuiz.com 300-835 dumps with Test Engine here:
<https://www.trainingquiz.com/300-835-practice-quiz.html> (132 Q&As Dumps, **40%OFF** Special Discount: **Exam-Tests**)

NEW QUESTION: 17

A Webex Teams bot receives a Webhook payload, which notifies the bot that a message was created in a space. Which two API requests must be issued for the bot to answer the author of the message? (Choose two.)

- A. POST /v1/messages
- B. GET /v1/messages/{messageId}
- C. POST /v1/webhooks
- D. GET /v1/webhooks/{webhookId}
- E. PUT /v1/messages/{messageId}

Answer: B,C ([LEAVE A REPLY](#))

NEW QUESTION: 18

Drag and drop the git commands/steps from the left into the correct order on the right to make changes and submit code to a remote repository.

Answer Area

git add main.py	
git commit -m "fix for #234"	
git clone https://github.com/CiscoDevNet/repo.git	
git push origin master	
Edit file main.py	

Answer:

Answer Area

git add main.py	git clone https://github.com/CiscoDevNet/repo.git
git commit -m "fix for #234"	Edit file main.py
git clone https://github.com/CiscoDevNet/repo.git	git add main.py
git push origin master	git commit -m "fix for #234"
Edit file main.py	git push origin master

NEW QUESTION: 19

Drag and Drop Question

An administrator must test a Cisco collaboration room device. Drag and drop the code snippets from the bottom onto the blanks in the code to perform a test call using the xAPI. Some options may be used more than once. Not all options are used.

Answer Area

```
url = "https://10.10.20.160/ [ ] "  
  
payload = '''  
<Command>  
  < [ ] command="True">  
    <Number>408723</Number>  
  </ [ ] >  
</Command>'''  
  
headers = {  
  'Content-type': 'text/xml'  
}  
response = requests.request("POST", [ ] , headers=headers, data=payload)  
print(response.text.encode('utf8'))
```

[postxml] [content] [Dial] [xml]
[putxml] [url] [Call]

Answer:

Answer Area

```
url = "https://10.10.20.160/ [ putxml ] "  
  
payload = '''  
<Command>  
  < [ Call ] command="True">  
    <Number>408723</Number>  
  </ [ Dial ] >  
</Command>'''  
  
headers = {  
  'Content-type': 'text/xml'  
}  
response = requests.request("POST", [ url ] , headers=headers, data=payload)  
print(response.text.encode('utf8'))
```

[postxml] [content] [xml]

Explanation:

The endpoint /putxmlis used to send xAPI commands to Cisco room devices.
<Command><Call><Dial>initiates a call to the specified number using xAPI.
The request uses the POST method with text/xmlcontent type.

NEW QUESTION: 20

When should the Webex Team Oauth access token be used when configuring AuthenticateUser XML API request?

- A. Single-sign-on enabled webex site
- B. ChatBot configuration for webex site
- C. Multi-factor authentication for webex site
- D. username/password requirements for webex site

Answer: ([SHOW ANSWER](#))

NEW QUESTION: 21

Refer to the exhibit. A Webex Meetings XML API HTTP request message with several invalid portions is shown. Which reference points to a line in the exhibit that correctly indicates that this is a LstsummaryUser request?

```
1 POST /WBXService/XMLService/LstsummaryUser HTTP/1.1
2 Content-Type: application/xml
3 Host: api.webex.com
4 Content-Length: 974
5
6 <?xml version="1.0" encoding="UTF-8"?>2 <serv:message xmlns:serv="http://www.webex.com/schemas/2002/06/service"
7   xmlns:xsi="http://www.w3.org/2001/XMLSchema-instance">
8   <header>
9     <securityContext>
10      <siteName>apidemoeu</siteName>
11      <webExID>janedoe@example.com</webExID>
12      <sessionTicket>AAABb5LTcGcAABUYA0gAKEgyU</sessionTicket>
13    </securityContext>
14    <action>java:com.webex.service.binding.meeting.LstsummaryUser</action>
15  </header>
16  <body>
17    <method>java:com.webex.service.binding.meeting.LstsummaryUser</method>
18    <bodyContent xsi:type="java:com.webex.service.binding.meeting.LstsummaryUser">
19      <webExId>{WEBEXID}</webExId>
20    </bodyContent>
21  </body>
22 </serv:message>
```

- A. line 18
- B. line 14
- C. line 17
- D. line 1

Answer: A ([LEAVE A REPLY](#))

NEW QUESTION: 22

Drag and drop the bootkit functions from the left onto the correct actions on the right.

Answer Area

hears()	Adds a question to the thread and evaluate the answer.
ask()	Sends a message with no pause for response.
say()	Replies to an incoming message.
reply()	Listens for keyword, phrases, or patterns in messages from users.

Answer:

Answer Area	
hears()	ask()
ask()	say()
say()	reply()
reply()	hears()

NEW QUESTION: 23

An In-Room Control Panel can be configured as "global" (always available). Which order panel type is supported?

- A. Background
- B. Do Not Disturb
- C. Never
- D. Out-of-Call

Answer: D (LEAVE A REPLY)

Section: Collaboration Endpoints

Explanation

NEW QUESTION: 24

A small Python script is constructed that creates a Webex Meeting for John Doe scheduled for the current time. Drag and drop the code snippets at the bottom onto the areas of the source code exhibit to create a program. Not all options are used.

Answer Area

```
import requests, datetime
timestamp = datetime.datetime.now()
startDate = timestamp.strftime('%m/%d/%Y %H:%M:%S')
xml = f'''<message><header><securityContext>
```

```
</securityContext></header>
<body><bodyContent xsi:type="java:com.webex.service.binding.meeting.CreateMeeting">
```

```
<siteName>apidemoeu</siteName>
<webExID>johndoe@example.com</webExID>
<token>AAABbSKM1UYAOgAKEkdfUOhBMjU2XOFMR09SSVRITV8=</token>
```

```
<schedule><startDate>(startDate)</startDate></schedule>
</bodyContent></body></message>'''
```

```
print(requests.post('https://api.webex.com/WBXService/XMLService', xml))
```

```
<metaData>
<confName>Sample Meeting</confName><meetingType>105</meetingType>
</metaData>
```

```
<siteName>apidemoeu</siteName>
<webExID>johndoe@example.com</webExID>
<sessionTicket>AAABbSKM1UYAOgAKEkdfUOhBMjU2XOFMR09SSVRITV8=</sessionTicket>
```

```
<metaData>
<confName>Sample Meeting</confName><meetingType>Training Center</meetingType>
</metaData>
```

Answer:

Answer Area

```
import requests, datetime
timestamp = datetime.datetime.now()
startDate = timestamp.strftime('%m/%d/%Y %H:%M:%S')
xml = f'''<message><header><securityContext>
<siteName>apidemoeu</siteName>
<webExID>johndoe@example.com</webExID>
<sessionTicket>AAABbSKM1UYAOgAKEkdfUOhBMjU2XOFMR09SSVRITV8=</sessionTicket>
</securityContext></header>
<body><bodyContent xsi:type="java:com.webex.service.binding.meeting.CreateMeeting">
<metaData>
<confName>Sample Meeting</confName><meetingType>105</meetingType>
</metaData>
<schedule><startDate>{startDate}</startDate></schedule>
</bodyContent></body></message>'''
print(requests.post('https://api.webex.com/WBXService/XMLService', xml))
```

```
<siteName>apidemoeu</siteName>
<webExID>johndoe@example.com</webExID>
<token>AAABbSKM1UYAOgAKEkdfUOhBMjU2XOFMR09SSVRITV8=</token>
```

```
<schedule><startDate>{startDate}</startDate></schedule>
</bodyContent></body></message>'''
print(requests.post('https://api.webex.com/WBXService/XMLService', xml))
```

```
<metaData>
<confName>Sample Meeting</confName><meetingType>105</meetingType>
</metaData>
```

```
<siteName>apidemoeu</siteName>
<webExID>johndoe@example.com</webExID>
<sessionTicket>AAABbSKM1UYAOgAKEkdfUOhBMjU2XOFMR09SSVRITV8=</sessionTicket>
```

```
<metaData>
<confName>Sample Meeting</confName><meetingType>Training Center</meetingType>
</metaData>
```

NEW QUESTION: 25

Drag and Drop Question

Drag and drop the code to complete the curl command that creates a halfwake brand logo using the xAPI HTTP API. Not all options are used. Code can be used more than one time.

Answer Area

```
curl -X POST "http://192.168.1.32/[ ]" \
-H "Content-Type: text/xml" \
-H "Authorization: [ ] cmVtb3Rlc3VwcG9ydDo2US82a0JDYnJ0DQo=" \
-d "<Command>
<UserInterface>
  < [ ] >
    <Upload>
      <Type>HalfwakeBranding</Type>
      < [ ] >iVBORw0KGgoAAAANSUheUgAAARAAAAEQCAYAAA
B4CisVAAAAAXNSR0IARS4c6QAAACBjSFJNAAB6JgAAgIQAAAPoAAACA6AAAdTAAAOpgAAA6mAAAF3CculE8
AAAACXBIWXMAABJ0AAASdaHeZh94AAABY2lUWHRYTUw6Y29CC</ [ ] >
    </Upload>
  </ [ ] >
</UserInterface>
</Command>"
```

- | | | |
|---------------|----------|--------|
| body | Branding | getxml |
| Basic | putxml | Brand |
| Configuration | Digest | Bearer |

Answer:

Answer Area

```
curl -X POST "http://192.168.1.32/ [ ] putxml" \
-H "Content-Type: text/xml" \
-H "Authorization: [ ] Basic [ ] cmVtb3Rlc3VwcG9ydDo2US82a0JDYnJ0DQo=" \
-d "<Command>
<UserInterface>
  < [ ] Branding >
    <Upload>
      <Type>HalfwakeBranding</Type>
      < [ ] body >iVBORw0KGgoAAAANSUheUgAAARAAAAEQCAYAAA
B4CisVAAAAAXNSR0Iars4c6QAAACBjSFJNAAB6JgAAgIQAAPoAAACA6AAAdTAAAOpgAAA6mAAAF3Ccule8
AAAACXBIWXMAABJ0AAASdaHeZh94AAABY2lUWHRYTUw6Y29CC</ [ ] body >
    </Upload>
  </ [ ] Branding >
</UserInterface>
</Command>"
```

body	Branding	getxml
Basic	putxml	Brand
Configuration	Digest	Bearer

NEW QUESTION: 26

Drag and Drop Question

Drag and drop the code snippets from the bottom onto the blanks in the code to create a Cisco Webex Meetings meeting using the API. Not all options are used.

ANSWER AREA

```
import requests, json

token = 'eyJhbGciOiJIUzI1NiIsInR5cCI6IkpXbzN8'

headers = {
    'Authorization': f' {token}',
    'Content-Type': 'application/json'
}

payload = {
    "title": "DevNet Webex Discussion",
    "password": "AGrtgl234",
    "start": "2020-11-10T15:00:00Z",
    "end": "2020-11-10T17:00:00Z",
    "enabledAutoRecordMeeting": False,
    "allowAnyUserToBeCoHost": False
}

response = requests.request("PUT",
    f'{BASE_URL}/v1/{meetingmgr}', headers=headers, data=json.dumps(payload))
print(response.text.encode('utf8'))
```

Answer:

Answer Area

```
import requests, json

token = 'eyJhbGc ... yJbNS'

headers = {
    'Authorization': f'Bearer [ ] (token)',
    'Content-Type': 'application/json'
}

payload = {
    "title [ ]": "DevNet Webex Discussion",
    "password": "AGrtgl234",
    "start": "2020-11-10T15:00:00Z",
    "end": "2020-11-10T17:00:00Z",
    "enabledAutoRecordMeeting": False,
    "allowAnyUserToBeCoHost": False
}

response = requests.request(" [ ] ",
    f'{BASE_URL}/v1/ [ ] ', headers=headers, data=json.dumps(payload))
print(response.text.encode('utf8'))
```

[Basic]

[PUT]

[meetingmgr]

Explanation:

Bearer is the correct token type in the Authorization header.

title is the proper key for setting the meeting's subject.

POST is the HTTP method for creating a meeting.

meetings is the correct API resource endpoint for scheduling meetings via Webex REST API.

NEW QUESTION: 27

Drag and Drop Question

Drag and drop the code snippets from the bottom onto the boxes in the Python script to change the configured default volume of a device using the xAPI. Not all options are used.

Answer Area

```
import requests

headers={
    "[ ]": "Bearer YjI5YTB1NjgtNjFkOC00MmYxLTljNzEtZTRjYWMzMTQ1Z...989",
    "Content-Type":"application/json-patch+json"
}

url = "https://webexapis.com/v1/deviceConfigurations?deviceId=Y21zY29zcGFyazovL...5ZDM="

payload = {
    "op":"replace",
    "[ ]": 40,
    "path":"Audio.DefaultVolume/sources/configured/value"
}

response = requests.[ ](url, headers=headers, [ ]=payload)

print(f'{response.status_code}\n{response.json()}')
```

Authorization

volume

Authentication

json

value

get

patch

xml

Answer:

Answer Area

```
import requests

headers={
    "Authorization": "Bearer YjI5YTB1NjgtNjFkOC00MmYxLTljNzEtZTRjYWMzMTQ1Z...989",
    "Content-Type":"application/json-patch+json"
}

url = "https://webexapis.com/v1/deviceConfigurations?deviceId=Y21zY29zcGFyazovL...5ZDM="

payload = {
    "op":"replace",
    "value": 40,
    "path":"Audio.DefaultVolume/sources/configured/value"
}

response = requests.[ ](url, headers=headers, [ ]=payload)

print(f'{response.status_code}\n{response.json()}')
```

volume

Authentication

get

xml

Explanation:

This Python script is designed to change the default audio volume setting on a Webex device remotely by:

- Authorizing with a Bearer token,
- Sending a JSON Patch request to replace a specific device configuration value,
- Targeting the "Audio.DefaultVolume/sources/configured/value" path on the device.

Authorization is the correct header key for bearer token-based access to Webex REST APIs.

The value key belongs in the JSON payload to indicate the new volume level (40).

patch is the HTTP method used when making partial updates to a resource (in this case, adjusting device configuration).

JSON is the format for sending the payload with the request.

NEW QUESTION: 28

Your app wants to access Webex API as an anonymous user. You pre-register an API key. What is the quota limit per month for accessing the API key?

- A. 30k
- B. 2k
- C. 20k
- D. 13k

Answer: A ([LEAVE A REPLY](#))

NEW QUESTION: 29

Which two statements describe advantages of consuming APIs with asynchronous versus synchronous requests? (Choose two.)

- A. Application threads do not block waiting for an asynchronous response.
- B. Multiple asynchronous requests can be sent simultaneously.
- C. Asynchronous request coding is less complex.
- D. All Cisco APIs are designed to be invoked asynchronously.
- E. APIs respond more quickly when invoked asynchronously.

Answer: ([SHOW ANSWER](#))

NEW QUESTION: 30

Refer to the exhibit. This exhibit is a simple Python script to monitor call activity for a local Webex room device. Which code snippet listens for call events and completes the script?

```

from pyxows import xows
import asyncio

async def main():

    async with xows.XoWSClient( '10.10.20.153', 'integrator', 'integrator' ) as client:

        async def callback( data, id ):
            print( f'Call status event: { data }' )

        [ ]

        await client.wait_until_closed()

asyncio.run( main() )

```

- A. await client.subscribe(['Status', 'Call', 'Status'], callback, False)
- B. await client.xfeedback(['Status', 'Call', 'Status'], callback, False)
- C. await client.xfeedback(['Feedback', 'Call', 'Status'], callback, False)
- D. await client.subscribe(['Feedback', 'Call', 'Status'], callback, False)

Answer: A ([LEAVE A REPLY](#))

NEW QUESTION: 31

Drag and Drop Question

The Python script executes a REST API to retrieve information from the Cisco Meeting Server about the call with an identifier of "987654321". Drag and drop the code onto the snippet to complete the Python script. Not all options are used.

Answer Area

```

import requests

url = 'https://myserver:445/api/v1/[ ] /987654321'

headers = {
    '[ ]': 'Basic YXBpOmRDG91ZDEyMyE='
}

response = requests.request('[ ]', url, headers = headers)

print(response.text)

```

- | | |
|--|---|
| <input type="text" value="call"/> | <input type="text" value="GET"/> |
| <input type="text" value="Authorization"/> | <input type="text" value="Authentication"/> |
| <input type="text" value="calls"/> | <input type="text" value="PUT"/> |
| <input type="text" value="POST"/> | <input type="text" value="callId"/> |

Answer:

Answer Area

```
import requests
url = 'https://myserver:445/api/v1/  /987654321'
headers = {
    '': 'Basic YXBpOmRDdG91ZDEyMyE='
}
response = requests.request('  ', url, headers = headers)
print(response.text)
```

Valid 300-835 Dumps shared by TrainingQuiz.com for Helping Passing 300-835 Exam! TrainingQuiz.com now offer the **newest 300-835 exam dumps**, the TrainingQuiz.com 300-835 exam **questions have been updated** and **answers have been corrected** get the **newest** TrainingQuiz.com 300-835 dumps with Test Engine here:
<https://www.trainingquiz.com/300-835-practice-quiz.html> (132 Q&As Dumps, **40%OFF Special Discount: Exam-Tests**)

NEW QUESTION: 32

An existing user (identified by userId) needs to be allowed to host Webex meetings. Which API call is used to assign the new license?

- A. PUT /license/{userId}
- B. POST /people/{userId}
- C. PUT /people/{userId}
- D. POST /license/{userId}

Answer: C ([LEAVE A REPLY](#))

Section: Meetings

NEW QUESTION: 33

Which two Webex technologies can be used to embed voice and video collaboration into a company web page? (Choose two.)

- A. Webex Teams Widgets
- B. Webex Teams Browser SDK
- C. Webex Meetings XML API
- D. Webex Teams REST API
- E. Webex Teams Java SDK

Answer: ([SHOW ANSWER](#))

Section: Collaboration Endpoints

NEW QUESTION: 34

Which endpoint feature is used to configure custom controls on Cisco collaboration room devices?

- A. Control Configurator
- B. TC Console
- C. In-Room Control
- D. Control Setup

Answer: C ([LEAVE A REPLY](#))

Explanation:

In-Room Control is the feature used on Cisco collaboration room devices to configure custom user interface elements, such as buttons and panels, on the device's touch controller or screen. It allows administrators and developers to define XML-based UI controls that trigger macros or device commands.

NEW QUESTION: 35

```
import requests

def createUser(apiKey, email, firstName, lastName, displayName):
    url = "https://api.ciscospark.com/v1/people"
    headers = {
        'Authorization': "Bearer " + apiKey,
        'Content-Type': "application/json"
    }
    body = {
        
    }
    response = requests.post(url = url, headers = headers, json=body)
    return response
```

Refer to the exhibit. Which snippet of code does a user with the administrator role use in the missing "body" section to create a new user in a Webex Teams organization?

```
"displayName": displayName,  
"firstName": firstName,  
"lastName": lastName
```

A.

```
"emails": [{"  
  email:  
}],  
"displayName": displayName,  
"firstName": firstName,  
"lastName": lastName
```

B.

```
"email": email,  
"displayName": displayName,  
"firstName": firstName,  
"lastName": lastName
```

C.

```
"emails": [  
  email  
],  
"displayName": displayName,  
"firstName": firstName,  
"lastName": lastName
```

D.

Answer: (SHOW ANSWER)

Section: Cloud Collaboration

Explanation/Reference:

NEW QUESTION: 36

Using the Finesse REST APIs coupled with the Finesse notifications, which two use cases can be accomplished? (Choose two.)

- A. Add video calling capabilities to an existing application such as a CRM.
- B. Add outbound call capabilities to an existing application such as a CRM.
- C. Develop a secure monitoring application that captures the agent's states and dialog information of every agent in the contact center system.
- D. Develop a fully functioning custom agent desktop that has call control, workflows, and client logging.
- E. Develop a fully functioning custom agent desktop for chat, email, and SMS interactions including the content of the chat, email, and SMS.

Answer: B,E (LEAVE A REPLY)

Section: Network Programmability Foundation

NEW QUESTION: 37

```

<xsd:element name="associatedDevices" minOccurs="0" maxOccurs="1">
  <xsd:annotation>
    <xsd:documentation>Also known as controlled devices.</xsd:documentation>
  </xsd:annotation>
  <xsd:complexType>
    <xsd:sequence minOccurs="0">
      <xsd:element name="device" type="axlapi:String50" minOccurs="0" maxOccurs="unbounded">
        <xsd:annotation>
          <xsd:documentation>Name of device.</xsd:documentation>
        </xsd:annotation>
      </xsd:element>
    </xsd:sequence>
  </xsd:complexType>
</xsd:element>
<xsd:element name="primaryExtension" minOccurs="0" maxOccurs="1">
  <xsd:annotation>
    <xsd:documentation>Only DNs associated with the associatedDevices of the User can be used as primary extension.</xsd:documentation>
  </xsd:annotation>
  <xsd:complexType>
    <xsd:sequence minOccurs="0">
      <xsd:element name="pattern" type="axlapi:String255" minOccurs="0" maxOccurs="1">
        <xsd:annotation>
          <xsd:documentation>DN or Pattern.</xsd:documentation>
        </xsd:annotation>
      </xsd:element>
      <xsd:element name="routePartitionName" type="axlapi:String50" minOccurs="0" maxOccurs="1">
        <xsd:annotation>
          <xsd:documentation>Route Partition to which the DN is associated.</xsd:documentation>
        </xsd:annotation>
      </xsd:element>
    </xsd:sequence>
  </xsd:complexType>
</xsd:element>

```

Refer to the exhibit. The exhibit shows the XML schema to associate a device for the AddUser operation in AXL. Which XML snippet is correct to associate a device with name "SEP151515151515"?

- A.

```
<associatedDevices>
  <device name="SEP151515151515">
</associatedDevices>
```
- B.

```
<routePartitionName>
  <device>SEP151515151515</device>
</routePartitionName>
```
- C.

```
<routePartitionName>
  <device name="SEP151515151515">
</routePartitionName>
```
- D.

```
<associatedDevices>
  <device>SEP151515151515</device>
</associatedDevices>
```

Answer: (SHOW ANSWER)

Section: Collaboration Endpoints

NEW QUESTION: 38

Refer to the exhibit.

```

<xsd:element name="associatedDevices" minOccurs="0" maxOccurs="1">
  <xsd:annotation>
    <xsd:documentation>Also known as controlled devices.</xsd:documentation>
  </xsd:annotation>
  <xsd:complexType>
    <xsd:sequence minOccurs="0">
      <xsd:element name="device" type="axlapi:String50" minOccurs="0" maxOccurs="unbounded">
        <xsd:annotation>
          <xsd:documentation>Name of device.</xsd:documentation>
        </xsd:annotation>
      </xsd:element>
    </xsd:sequence>
  </xsd:complexType>
</xsd:element>
<xsd:element name="primaryExtension" minOccurs="0" maxOccurs="1">
  <xsd:annotation>
    <xsd:documentation>Only DNS associated with the associatedDevices of the User can be used as primary extension.</xsd:documentation>
  </xsd:annotation>
  <xsd:complexType>
    <xsd:sequence minOccurs="0">
      <xsd:element name="pattern" type="axlapi:String255" minOccurs="0" maxOccurs="1">
        <xsd:annotation>
          <xsd:documentation>DN or Pattern.</xsd:documentation>
        </xsd:annotation>
      </xsd:element>
      <xsd:element name="routePartitionName" type="axlapi:String50" minOccurs="0" maxOccurs="1">
        <xsd:annotation>
          <xsd:documentation>Route Partition to which the DN is associated.</xsd:documentation>
        </xsd:annotation>
      </xsd:element>
    </xsd:sequence>
  </xsd:complexType>
</xsd:element>

```

The exhibit shows the XML schema to associate a device for the AddUser operation in AXL. Which XML snippet is correct to associate a device with name "SEP151515151515"?

- A. `<associatedDevices>`
`<device name="SEP151515151515">`
`</associatedDevices>`
- B. `<routePartitionName>`
`<device>SEP151515151515</device>`
`</routePartitionName>`
- C. `<routePartitionName>`
`<device name="SEP151515151515">`
`</routePartitionName>`
- D. `<associatedDevices>`
`<device>SEP151515151515</device>`
`</associatedDevices>`

- A. Option C
- B. Option D
- C. Option B
- D. Option A

Answer: B ([LEAVE A REPLY](#))

NEW QUESTION: 39

Which two scenarios could be automated by combining the Webex Meetings XML API with other API-enabled systems? (Choose two.)

- A. scheduling new-hire orientation meetings as part of an HR system workflow
- B. triggering Webex meeting recording when the host disconnect from the meeting.
- C. automatically launching the weekly Webex scrum meeting on Mondays at 9 AM
- D. reassigning an employee's scheduled Webex meeting to their manager then they leave the company
- E. muting users in a Webex meeting when their Cisco Jabber presence status transitions to Away

Answer: A,E (LEAVE A REPLY)

Section: Meetings

NEW QUESTION: 40

Which format is used for guest tokens in Webex?

- A. OAuth2
- B. JWT
- C. OAuth1
- D. MD5

Answer: B (LEAVE A REPLY)

Explanation:

Webex uses JWT(JSON Web Token) format for guest tokens to securely authenticate and authorize guest users in Webex applications without requiring full Webex accounts.

NEW QUESTION: 41

Which format is used for guest tokens in Webex?

- A. MD5
- B. OAuth2
- C. JWT
- D. OAuth1

Answer: C (LEAVE A REPLY)

Webex uses JWT (JSON Web Token) format for guest tokens to securely authenticate and authorize guest users in Webex applications without requiring full Webex accounts.

NEW QUESTION: 42

Refer to the exhibit.



A developer has implemented ChatOps to a Webex Teams space as described in the exhibit. The Python script that pushes the notifications to the Teams space is shown. Drag and drop the code to complete the script. Not all options are used.

Answer Area

```

import requests, json, os

header = { [ ] : [ ] % os.environ.get("BOT_TOKEN"),
           "Content-Type": "application/json"}

message = "_The bot says:\n> I am a **developer** too!"

payload = {"roomId": os.environ.get("SPACE_ID"),
           "markdown": message}

res = requests.request([ ], url="https://api.ciscospark.com/v1/messages",
                       headers=header, data=[ ], verify=True)

if res.[ ] == 200:
    print("your message was successfully posted to Webex Teams")
else:
    print('failed with status code: %d' %res.status_code)

    if res.status_code == 404:
        print("please check the bot is in the space you're attempting to post to...")
    elif res.status_code == 400:
        print("please check the identifier of the space you're attempting to post to...")
    elif res.status_code == 401:
        print("please check if the access token is correct...")

```

json.dumps(payload)	"PUT"	status_code	payload
"Authentication"	"Authorization"	"Bearer"	status
"Bearer %s"	json(payload)	"POST"	code

Answer:

Answer Area

```
import requests, json, os
header = { "Authorization" : "Bearer" % os.environ.get("BOT_TOKEN"),
          "Content-Type": "application/json"}
message = "_The bot says:\n> I am a **developer** tool"
payload = {"roomId": os.environ.get("SPACE_ID"),
          "markdown": message}
res = requests.request("POST", url="https://api.ciscospark.com/v1/messages",
                      headers=header, data=json.dumps(payload), verify=True)
if res.status_code == 200:
    print("your message was successfully posted to Webex Teams")
else:
    print('failed with status code: %d' %res.status_code)

    if res.status_code == 404:
        print("please check the bot is in the space you're attempting to post to...")
    elif res.status_code == 400:
        print("please check the identifier of the space you're attempting to post to...")
    elif res.status_code == 401:
        print("please check if the access token is correct...")
```

json.dumps(payload)	"PUT"	status_code	payload
"Authentication"	"Authorization"	"Bearer"	status
"Bearer %s"	json(payload)	"POST"	code

NEW QUESTION: 43

Which URI for XML APIs is used in Cisco Webex Meetings to manage users, meetings, events, and trainings?

- A. https://api.webex.com/v1/
- B. https://api.webex.com/WBXService/XMLService
- C. https://api.webex.com/v1/meetings
- D. https://api.webex.com/MeetingsService/XMLService

Answer: B (LEAVE A REPLY)

Section: Meetings

NEW QUESTION: 44

Drag and Drop Question

Drag and drop the code snippets from the bottom onto the blanks in the code to automate a query to list all phones on a test Cisco UCM cluster using an AXL SOAP request. Not all options are used.

Answer Area

```
<soapenv:Envelope xmlns:soapenv="http://schemas.xmlsoap.org/soap/envelope/"
  xmlns:ns="http://www.cisco.com/AXL/API/12.5">
  <soapenv:Header/>
  <soapenv:Body>
    <[redacted]>
      <searchCriteria>
        <[redacted]>
      </searchCriteria>
      <returnedTags>
      </returnedTags>
    <[redacted]>
  </soapenv:Body>
</soapenv:Header>
</soapenv:Envelope>
```

ns:listPhone	name>%
ns:getPhone	/ns:getPhone
/ns:listPhone	phone>%

Answer:

Answer Area

```
<soapenv:Envelope xmlns:soapenv="http://schemas.xmlsoap.org/soap/envelope/"
  xmlns:ns="http://www.cisco.com/AXL/API/12.5">
  <soapenv:Header/>
  <soapenv:Body>
    <ns:listPhone>
      <searchCriteria>
        <name>%
      </searchCriteria>
      <returnedTags>
      </returnedTags>
    </ns:listPhone>
  </soapenv:Body>
</soapenv:Header>
</soapenv:Envelope>
```

ns:getPhone	/ns:getPhone
	phone>%

Explanation:

The request starts with `<ns:listPhone>` to match the AXL API operation for listing phones, and it must match the namespace prefix used (ns) from the envelope declaration.

The search criteria uses the tag fragment `name>%`, which is shorthand here for `<name>%</name>`- a wildcard search to list all phones.

The SOAP body is correctly closed with `</ns:listPhone>`.

NEW QUESTION: 45

Which Webex API allows an app to be notified via HTTP when a specific event occurs in Webex?

- A. Rooms
- B. Events
- C. Webhooks
- D. Teams

Answer: ([SHOW ANSWER](#))

The Webhooks API in Webex allows an app to be notified via HTTP when specific events occur, such as new messages, room membership changes, or meeting updates. Webhooks enable real-time integration by sending event data to a specified URL.

NEW QUESTION: 46

Drag and Drop Question

Drag and drop the elements to create the command to initiate a call to `device@company.com` using the Webex Devices xAPI SSH Interface. Not all options are used.

Answer Area

Command to initiate a call

<input type="text"/>	<input type="text"/>	<input type="text"/>	: device@company.com
----------------------	----------------------	----------------------	----------------------

- | | |
|--------|----------|
| URI | Call |
| Number | xCommand |
| Device | xDial |
| Dial | Create |

Answer:

Answer Area

Command to initiate a call

```
xCommand Dial Number : device@company.com
```

```
URI Call  
Device xDial  
Create
```

Valid 300-835 Dumps shared by TrainingQuiz.com for Helping Passing 300-835 Exam! TrainingQuiz.com now offer the **newest 300-835 exam dumps**, the TrainingQuiz.com 300-835 exam **questions have been updated** and **answers have been corrected** get the **newest** TrainingQuiz.com 300-835 dumps with Test Engine here:
<https://www.trainingquiz.com/300-835-practice-quiz.html> (132 Q&As Dumps, **40%OFF Special Discount: Exam-Tests**)

NEW QUESTION: 47

What is the primary purpose of the POST /v1/meetings function of the Webex Meetings REST API?

- A. to join an ongoing meeting
- B. to cancel a meeting
- C. to schedule a new meeting
- D. to start an instant meeting

Answer: C (LEAVE A REPLY)

The POST /v1/meetingsfunction of the Webex Meetings REST API is used to create or schedule a new meeting. You can define details such as title, agenda, start time, duration, password, and invitees when calling this endpoint.

NEW QUESTION: 48

webexTeamsAPI	access_tokens	get() refresh()
	admin_audit_events	list()
	attachment_actions	create() get()
	events	list() get()
	guest_issuer	create()
	licenses	list() create()
	memberships	list() create() get() update() delete()
	messages	list() list_direct() create() get() delete()
	organizations	list() create()
	people	list() create() get() update() me()
	roles	list() create()
	rooms	list() create() get() get_meeting_info() update() delete()
	team_memberships	list() create() get() update() delete()
	teams	list() create() get() update() delete()
	webhooks	list() create() get() update() delete()

```
create(name, targetUrl, resource, event, filter=None, secret=None, **request_parameters) [source]
```

Create a webhook.

- Parameters:**
- **name** (*basestring*) - A user-friendly name for this webhook.
 - **targetUrl** (*basestring*) - The URL that receives POST requests for each event.
 - **resource** (*basestring*) - The resource type for the webhook.
 - **event** (*basestring*) - The event type for the webhook.
 - **filter** (*basestring*) - The filter that defines the webhook scope.
 - **secret** (*basestring*) - The secret used to generate payload signature.
 - ****request_parameters** - Additional request parameters (provides support for parameters that may be added in the future).

Returns: A Webhook object with the details of the created webhook.

Return type: Webhook

- Raises:**
- `TypeError` - If the parameter types are incorrect.
 - `ApiError` - If the Webex Teams cloud returns an error.

Refer to the exhibit. Drag and drop the code snippets from the bottom onto the blanks in the code to construct a Python script that creates a webhook to notify the administrator when a message is deleted from a group Webex room. Not all options are used.

Select and Place:

```
from webexteamsdk import WebexTeamsAPI
Url = 'https://example.com/mywebhook'
Token = 'your_access_token'
api = WebexTeamsAPI(access_token=Token)
```

```
    (
```

```
        name="My Webhook",
        targetUrl=Url,
```

```
        
```

```
        
```

```
        
```

```
)
```

```
filter="roomId=group"
```

```
api.webhooks.create
```

```
filter="roomType=group"
```

```
resource="memberships"
```

```
resource="messages"
```

```
event="deleted"
```

Answer:

```
from webexteamsdk import WebexTeamsAPI
Url = 'https://example.com/mywebhook'
Token = 'your_access_token'
api = WebexTeamsAPI(access_token=Token)
api.webhooks.create(
    name="My Webhook",
    targetUrl=Url,
    resource="messages",
    event="deleted",
    filter="roomId-group"
)
```

filter="roomId-group"	api.webhooks.create
filter="roomType-group"	resource="memberships"
resource="messages"	event="deleted"

NEW QUESTION: 49

Which two functions are provided by the Java-based computer telephony applications API?
(Choose two.)

- A. Allow provisioning of Cisco Unified Communications Manager endpoints and users.
- B. Provide analytics about Cisco Unified Communications Manager endpoints and users.
- C. Provide call blocking and screening for applications.
- D. Route calls by using computer telephony integration ports and route points (virtual devices).
- E. Control and observe Cisco Unified Communications Manager phones.

Answer: A,D (LEAVE A REPLY)

NEW QUESTION: 50

Refer to the exhibit.

```

from pyxows import xows
import asyncio

async def main():

    async with xows.XoWSClient( '10.10.20.153', 'integrator', 'integrator' ) as client:

        async def callback( data, id ):
            print( f'Call status event: { data }' )

        await client.wait_until_closed()

asyncio.run( main() )

```

This exhibit is a simple Python scrip to monitor call activity for a local Webex room device. Which code snippet listens for call events and completes the script?

- A. await client.subscribe(['Feedback', 'Call', 'Status'], callback, False)
- B. await client.xfeedback(['Feedback', 'Call', 'Status'], callback, False)
- C. await client.xfeedback(['Status', 'Call', 'Status'], callback, False)
- D. await client.subscribe(['Status', 'Call', 'Status'], callback, False)

Answer: D ([LEAVE A REPLY](#))

NEW QUESTION: 51

Which Cisco UCM programming interface provides data that is needed to compile a report of call volume, trunk utilization, and cost and billing estimates?

- A. Perfmon SOAP API
- B. JTAPI
- C. CDRonDemandAPI
- D. RisPort70 SOAP API

Answer: C ([LEAVE A REPLY](#))

The CDRonDemand API provides access to Call Detail Records (CDRs) and Call Management Records (CMRs) from Cisco UCM. These records are essential for generating reports related to call volume, trunk utilization, and cost/billing estimates.

NEW QUESTION: 52

Which two functions are provided by the Java-based computer telephony applications API? (Choose two.)

- A. Provide call blocking and screening for applications.
- B. Provide analytics about Cisco Unified Communications Manager endpoints and users.
- C. Control and observe Cisco Unified Communications Manager phones.
- D. Route calls by using computer telephony integration ports and route points (virtual devices).
- E. Allow provisioning of Cisco Unified Communications Manager endpoints and users.

Answer: D,E ([LEAVE A REPLY](#))

Section: Collaboration Endpoints

NEW QUESTION: 53

Drag and drop the code snippets from the bottom onto the blanks in the Python script to create an XMPP cluster using the Cisco Meeting Server API.

Not all options are used.

Select and Place:

Answer Area

```
import requests

ip = "xxx.xxx.xxx.xxx"
url = "https://{0}:445/api/v1/system/configuration/xmpp".format(ip)

uniqueDomain="cms"
domain="example.domain"
Server="xxx.xxx.xxx.xxx"
payload='uniqueName={0}&domain={1}&serverAddressOverride={2}'.format(uniqueDomain,
domain, Server)
headers = {
    'Authorization': 'Basic token',
    'Content-Type': 'application/x-www-form-urlencoded'
}

response = requests.request("POST", [ ], [ ]=headers, data=[ ])
print(response.[ ])
```

cms

data

headers

url

text

header

payload

Answer:

Answer Area

```
import requests

ip = "xxx.xxx.xxx.xxx"

url = "https://{0}:445/api/v1/system/configuration/xmpp".format(ip)

uniqueDomain="cms"

domain="example.domain"
Server="xxx.xxx.xxx.xxx"
payload='uniqueName={0}&domain={1}&serverAddressOverride={2}'.format(uniqueDomain,
domain, Server)
headers = {
    'Authorization': 'Basic token',
    'Content-Type': 'application/x-www-form-urlencoded'
}

response = requests.request("POST", url, headers=headers, data=payload)

print(response.text)
```

cms data headers url text header payload

NEW QUESTION: 54

Refer to the exhibit. Drag and drop the code snippets from the bottom onto the blanks in the code to construct a cURL command that will create a new space with the name Annual Meeting. Not all options are used.

Select and Place:

Answer Area

```
curl -X [ ] \
https://cms.domain.local/api/v1/[ ] \
-H 'Authorization: Basic YWRtaW46YzFzY28xMjM=' \
-H 'content-type: multipart/form-data' \
-F '[ ] = [ ]'
```

PUT	POST
Spaces	coSpaces
Annual Meeting	name

Answer:

Answer Area

```
curl -X  \  
https://cms.domain.local/api/v1/ \  
-H 'Authorization: Basic YWRtaW46YzFzY28xMjM=' \  
-H 'content-type: multipart/form-data' \  
-F ' = 
```

PUT

POST

Spaces

coSpaces

Annual Meeting

name

NEW QUESTION: 55

Drag and drop the XML snippets onto the AXL request to build a request that sets the cluster-wide Call Park Reversion Timer to 2 minutes. Not all options are used.

Answer Area

```
<soapenv:Envelope xmlns:soapenv="http://schemas.xmlsoap.org/soap/envelope/"
  xmlns:ns="http://www.cisco.com/AXL/API/11.5">
  <soapenv:Header/>
  <soapenv:Body>
    [ ]
    [ ]
    [ ]
    <service>Cisco CallManager</service>
    <value>120</value>
    [ ]
  </soapenv:Body>
</soapenv:Envelope>
```

```
[ <name>CallParkDisplayTimer</name> ]
[ <name>CallParkReversionTimeout</name> ]
[ <ns:updateProcessNodeService> ]
[ <processNodeName>Default</processNodeName> ]
[ </ns:updateServiceParameter> ]
[ <ns:updateServiceParameter> ]
[ </ns:updateProcessNodeService> ]
[ <processNodeName>EnterpriseWideData</processNodeName> ]
```

Answer:

Answer Area

```
<soapenv:Envelope xmlns:soapenv="http://schemas.xmlsoap.org/soap/envelope/"
  xmlns:ns="http://www.cisco.com/AXL/API/11.5">
  <soapenv:Header/>
  <soapenv:Body>
    <ns:updateServiceParameter>
      <processNodeName>EnterpriseWideData</processNodeName>
      <name>CallParkReversionTimeout</name>
      <service>Cisco CallManager</service>
      <value>120</value>
    </ns:updateServiceParameter>
  </soapenv:Body>
</soapenv:Envelope>
```

```
<name>CallParkDisplayTimer</name>
```

```
<name>CallParkReversionTimeout</name>
```

```
<ns:updateProcessNodeService>
```

```
<processNodeName>Default</processNodeName>
```

```
</ns:updateServiceParameter>
```

```
<ns:updateServiceParameter>
```

```
</ns:updateProcessNodeService>
```

```
<processNodeName>EnterpriseWideData</processNodeName>
```

NEW QUESTION: 56

A small Python script is constructed that creates a Webex Meeting for John Doe scheduled for the current time. Drag and drop the code snippets at the bottom onto the areas of the source code exhibit to create a program. Not all options are used.

Answer Area

```
import requests, datetime
timestamp = datetime.datetime.now()
startDate = timestamp.strftime('%m/%d/%Y %H:%M:%S')
xml = f'''<message><header><securityContext>
```

```
</securityContext></header>
```

```
<body><bodyContent xsi:type="java:com.webex.service.binding.meeting.CreateMeeting">
```

```
<siteName>apidemoeu</siteName>
<webExID>johndoe@example.com</webExID>
<token>AAABbSKM1UYAogAKEkdfUOhBMjU2XOFMR09SSVRITV8=</token>
```

```
<schedule><startDate>(startDate)</startDate></schedule>
</bodyContent></body></message>'''
print(requests.post('https://api.webex.com/WBXService/XMLService', xml))
```

```
<metaData>
<confName>Sample Meeting</confName><meetingType>105</meetingType>
</metaData>
```

```
<siteName>apidemoeu</siteName>
<webExID>johndoe@example.com</webExID>
<sessionTicket>AAABbSKM1UYAogAKEkdfUOhBMjU2XOFMR09SSVRITV8=</sessionTicket>
```

```
<metaData>
<confName>Sample Meeting</confName><meetingType>Training Center</meetingType>
</metaData>
```

Answer:

Answer Area

```
import requests, datetime
timestamp = datetime.datetime.now()
startDate = timestamp.strftime('%m/%d/%Y %H:%M:%S')
xml = f'''<message><header><securityContext>
<siteName>apidemoeu</siteName>
<webExID>johndoe@example.com</webExID>
<sessionTicket>AAABbSKM1UYAOgAKEkdfUOhBMjU2XOFMR09SSVRITV8=</sessionTicket>
</securityContext></header>
<body><bodyContent xsi:type="java:com.webex.service.binding.meeting.CreateMeeting">
<metaData>
<confName>Sample Meeting</confName><meetingType>Training Center</meetingType>
</metaData>
<schedule><startDate>(startDate)</startDate></schedule>
</bodyContent></body></message>'''
print(requests.post('https://api.webex.com/WBXService/XMLService', xml))
```

```
<siteName>apidemoeu</siteName>
<webExID>johndoe@example.com</webExID>
<token>AAABbSKM1UYAOgAKEkdfUOhBMjU2XOFMR09SSVRITV8=</token>
```

```
<schedule><startDate>(startDate)</startDate></schedule>
</bodyContent></body></message>'''
print(requests.post('https://api.webex.com/WBXService/XMLService', xml))
```

```
<metaData>
<confName>Sample Meeting</confName><meetingType>105</meetingType>
</metaData>
```

```
<siteName>apidemoeu</siteName>
<webExID>johndoe@example.com</webExID>
<sessionTicket>AAABbSKM1UYAOgAKEkdfUOhBMjU2XOFMR09SSVRITV8=</sessionTicket>
```

```
<metaData>
<confName>Sample Meeting</confName><meetingType>Training Center</meetingType>
</metaData>
```

NEW QUESTION: 57

Drag and Drop Question

Refer to the exhibit. The beginning of the code is provided. Drag and drop the code snippets from the bottom onto the blanks in the Python script to create a new phone in Cisco UCM using the AXL API. Some options may be used more than once. Not all options are used.

```
import requests
import os
def add_phone(**arg):
    payload = f'''<soapenv:Envelope xmlns:soapenv="http://schemas.xmlsoap.org/soap/envelope/"
    xmlns:ns="http://www.cisco.com/AXL/API/11.5">
```

ANSWER AREA

```
<soapenv:Header/>
<soapenv:Body>
  <ns: [ ] sequence="?">
    <phone ctiid="?">
      <name>{arg["phone_name"]}</name>
      <description>{arg["phone_desc"]}</description>
      <product>{arg["phone_product"]}</product>
      <class>{arg["phone_class"]}</class>
      <protocol>{arg["protocol"]}</protocol>
      <protocolSide>{arg["protocol_side"]}</protocolSide>
      <devicePoolName uuid="?">{arg["device_pool_name"]}</devicePoolName>
      <lines>
        <line ctiid="?">
          <index>{arg["line_index"]}</index>
          <label>{arg["label_line"]}</label>
          <display>{arg["line_display"]}</display>
          <dirn ctiid="?">
            <pattern>{arg["pater_n_line"]}</pattern>
            <routePartitionName uuid="?">{arg["route_partion_name"]}
            </routePartitionName>
          </dirn>
        </line>
      </lines>
      <phoneTemplateName uuid="?">{arg["phone_template_name"]}
      </phoneTemplateName>
    </phone>
  </ns: [ ] >
</soapenv:Body>
</soapenv:Envelope>'''
headers = { 'Content-Type': '[ ]', 'Authorization': 'Basic {auth}'
.format(auth=os.getenv("TOKEN")) }
requests.request("[ ]", "https://10.243.160.1:8443/axl/", headers=headers,
data=payload)
```

requests | text/xml | addPhone | PUT | POST | json/xml | newPhone

Answer:

Answer Area

```
<soapenv:Header/>
<soapenv:Body>
  <ns:addPhone sequence="?">
    <phone ctiid="?">
      <name>{arg["phone_name"]}</name>
      <description>{arg["phone_desc"]}</description>
      <product>{arg["phone_product"]}</product>
      <class>{arg["phone_class"]}</class>
      <protocol>{arg["protocol"]}</protocol>
      <protocolSide>{arg["protocol_side"]}</protocolSide>
      <devicePoolName uuid="?">{arg["device_pool_name"]}</devicePoolName>
      <lines>
        <line ctiid="?">
          <index>{arg["line_index"]}</index>
          <label>{arg["label_line"]}</label>
          <display>{arg["line_display"]}</display>
          <dirn ctiid="?">
            <pattern>{arg["patern_line"]}</pattern>
            <routePartitionName uuid="?">{arg["route_partion_name"]}
          </routePartitionName>
          </dirn>
        </line>
      </lines>
      <phoneTemplateName uuid="?">{arg["phone_template_name"]}
    </phoneTemplateName>
  </ns:addPhone>
</soapenv:body>
</soapenv:Envelope>'''
headers = { 'Content-Type': 'text/xml', 'Authorization': 'Basic {auth}'
.format(auth=os.getenv("TOKEN")) }
requests.request("POST", "https://10.243.160.1:8443/axl/", headers=headers,
data=payload)
```

requests

text/xml

addPhone

PUT

POST

json/xml

newPhone

Explanation:

The AXL API operation to create a new phone is addPhone. Since AXL is a SOAP-based API, the Content-Type must be text/xml. The HTTP method used for AXL API operations that create resources is POST, so it's applied twice - once in the payload body element name and once in the request method.

NEW QUESTION: 58

Drag and drop the code to create a Webex Teams Recents Widget in an existing HTML page. Not all items are used.

Answer Area

```
<div style="width:300px; height: 500px;"
  id="recents"
  />
<script>
  // Initialize a new widget

  const widgetElement = document.getElementById(' [ ] ');

  ciscospark.widget(widgetElement). [ ] ({
    accessToken: "YOUR_WEBEX_TEAMS_ACCESS_TOKEN",
    onEvent: callback
  });

  function callback(type,event) {

    if (type === ' [ ] '){
      console.log("room " + event.data.id + " was selected");
    }
  }
</script>
```

recentsId

selected

my-recents-widget

rooms:selected

recentsWidget

recents

Answer:

Answer Area

```
<div style="width:300px; height: 500px;"
  id="recents"
  />
<script>
  // Initialize a new widget

  const widgetElement = document.getElementById('recents');

  ciscospark.widget(widgetElement).recentsWidget({
    accessToken: "YOUR_WEBEX_TEAMS_ACCESS_TOKEN",
    onEvent: callback
  });

  function callback(type,event) {

    if (type === 'recentsId') {
      console.log("room " + event.data.id + " was selected");
    }
  }
</script>
```

recentsId

selected

my-recents-widget

rooms:selected

recentsWidget

recents

NEW QUESTION: 59

Drag and Drop Question

Refer to the exhibit. Drag and drop the code snippets from the bottom onto the blanks in the code to construct a cURL command that will create a new space with the name Annual Meeting. Not all options are used.

Creating and Modifying a coSpace

- Creating: POST method to the "/coSpaces" node. If the coSpace was created successfully, a "200 OK" response is received, and the "Location" header contains the ID for the new coSpace
- Modifying: PUT method on a "/coSpaces/<coSpace ID>" node

Parameters	Type/Value	Description/Notes
userProvisionedCoSpace	ID	Instantiate a new coSpace from the user provisioned cospace. When this parameter is present all the other parameters are ignored. (from version 3.1)
name	String	The human-readable name that will be shown on clients' UI for this coSpace
uri	String (URI user part)	The URI that a SIP system would use to dial in to this coSpace. (The URI "user part" is the part before any '@' character in a full URI.)

Answer Area

```
curl -X [ ] \
  https://cms.domain.local/api/v1/[ ] \
  -H 'Authorization: Basic YWRtaW46Y28xMjM=' \
  -H 'content-type: multipart/form-data' \
  -F '[ ]'
```

PUT	POST
Spaces	coSpaces
Annual Meeting	name

Answer:

Answer Area

```
curl -X  \
  https://cms.domain.local/api/v1/ \
  -H 'Authorization: Basic YWRtaW46YzFzY28xMjM=' \
  -H 'content-type: multipart/form-data' \
  -F ' = '
```

Explanation:

This command creates a new Cisco Meeting Server coSpace named "Annual Meeting".

POST is the HTTP method used to create a new coSpace.

coSpaces is the correct API resource for coSpace creation (/api/v1/coSpaces).

-F is used in curl to specify form fields (as multipart/form-data).

name is the parameter used to assign a human-readable name to the coSpace.

Annual Meeting is the name value being set.

NEW QUESTION: 60

Which two methods can be used to add a custom UI panel to a Webex room device? (Choose two.)

- A. From a T-shell session, use the git command to merge the XML configuration of a panel.
- B. Create a panel using the device UI Extensions Editor (previously In-Room Controls).
- C. Import an existing panel configuration file by connecting a USB storage drive to the device.
- D. Restore a device backup file present on a PC that contains a panel configuration.
- E. Use xAPI to push a JSON panel configuration to the device.

Answer: [\(SHOW ANSWER\)](#)

NEW QUESTION: 61

Which format is used for guest tokens in Webex?

- A. OAuth2
- B. JWT
- C. OAuth1
- D. MD5

Answer: [B \(LEAVE A REPLY\)](#)

Webex uses JWT (JSON Web Token) format for guest tokens to securely authenticate and authorize guest users in Webex applications without requiring full Webex accounts.

Valid 300-835 Dumps shared by TrainingQuiz.com for Helping Passing 300-835 Exam!
TrainingQuiz.com now offer the **newest 300-835 exam dumps**, the TrainingQuiz.com 300-835 exam **questions have been updated** and **answers have been corrected** get the **newest** TrainingQuiz.com 300-835 dumps with Test Engine here:
<https://www.trainingquiz.com/300-835-practice-quiz.html> (132 Q&As Dumps, **40%OFF Special Discount: Exam-Tests**)

NEW QUESTION: 62

Which two characteristics of REST APIs? (Choose two.)

- A. Resources are accessed using Uniform Resource Identifiers.
- B. API operations for Create/Read/Update/Delete are mapped to standard HTTP methods.
- C. Cookies are used for the duration of the session.
- D. REST API extends Remote Procedure Call.
- E. The server manages the session state.

Answer: A,B (LEAVE A REPLY)

Section: Network Programmability Foundation

NEW QUESTION: 63

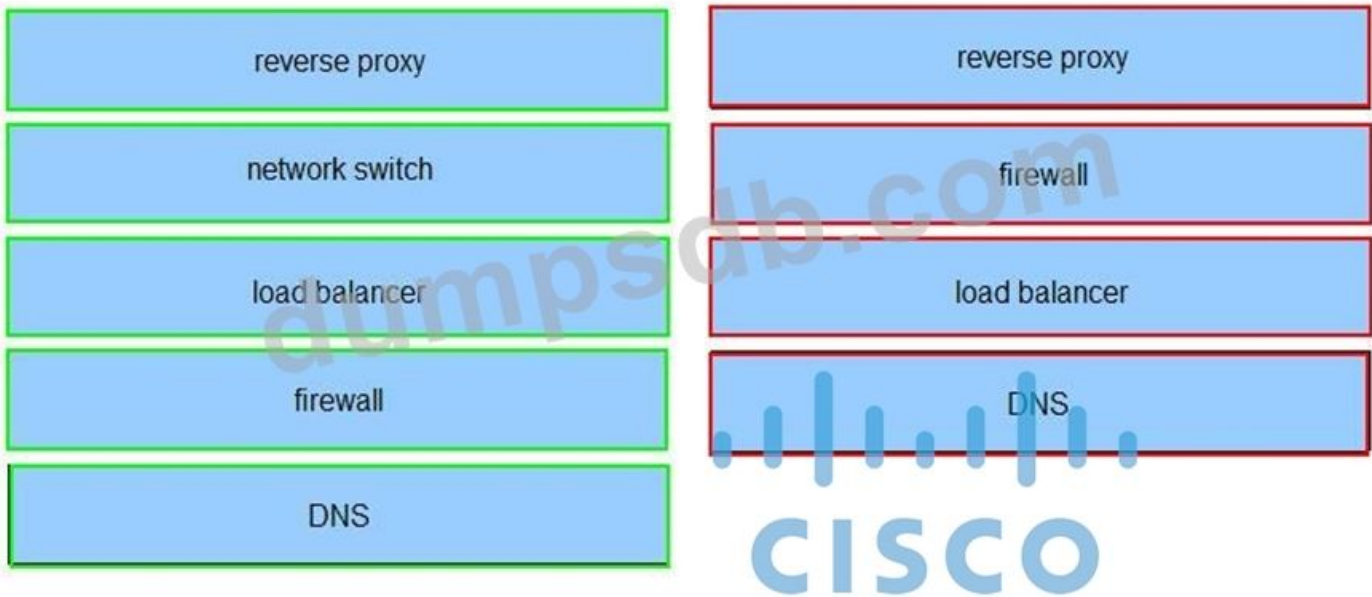
Drag and drop the elements from the left onto the correct descriptions on the right. Not all options are used.

Answer Area

reverse proxy	sits in front of web servers and retrieves resources from the web servers on behalf of clients; used to increase security
network switch	controls incoming traffic based on defined rules
load balancer	device that distributes application traffic across a number of servers; used to increase capacity
firewall	translates domain names to IP addresses so browsers can load Internet resources
DNS	

Answer:

Answer Area



NEW QUESTION: 64

Refer to the exhibit.

```
import requests

def createUser(apiKey, email, firstName, lastName, displayName):
    url = "https://api.ciscospark.com/v1/people"
    headers = {
        'Authorization': "Bearer " + apiKey,
        'Content-Type': "application/json"
    }
    body = {
        
    }
    response = requests.post(url = url, headers = headers, json=body)
    return response
```

Which snippet of code does a user with the administrator role use in the missing "body" section to create a new user in a Webex Teams organization?

```

1. "displayName": displayName,
   "firstName": firstName,
   "lastName": lastName

3. "emails": {
   email
},
   "displayName": displayName,
   "firstName": firstName,
   "lastName": lastName

2. "email": email,
   "displayName": displayName,
   "firstName": firstName,
   "lastName": lastName

1. "emails": [
   email
],
   "displayName": displayName,
   "firstName": firstName,
   "lastName": lastName

```

A. Option B

B. Option A

C. Option C

D. Option D

Answer: C ([LEAVE A REPLY](#))

NEW QUESTION: 65

Drag and drop the code snippets from the bottom onto the blanks in the code to create a Cisco Webex Meetings meeting using the API. Not all options are used.

Select and Place:

Answer Area

```
import requests, json
token = 'eyJhbGciOiJIUzI1NiIsInR5cCI6IkpXbzN8'
headers = {
    'Authorization': f' [ ] (token)',
    'Content-Type': 'application/json'
}
payload = {
    " [ ] ": "DevNet Webex Discussion",
    "password": "AGrtgl234",
    "start": "2020-11-10T15:00:00Z",
    "end": "2020-11-10T17:00:00Z",
    "enabledAutoRecordMeeting": False,
    "allowAnyUserToBeCoHost": False
}
response = requests.request(" [ ] ",
    f'{BASE_URL}/v1/ [ ] ', headers=headers, data=json.dumps(payload))
print(response.text.encode('utf8'))
```

Basic [] Bearer [] PUT [] title [] meetingmgr []
POST [] meetings []

Answer:

Answer Area

```
import requests, json
token = 'eyJhbGciOiJIUzI1NiIsInR5cCI6IkpXbzN8'
headers = {
    'Authorization': f'Bearer [ ] (token)',
    'Content-Type': 'application/json'
}
payload = {
    "title [ ]": "DevNet Webex Discussion",
    "password": "AGrtgl234",
    "start": "2020-11-10T15:00:00Z",
    "end": "2020-11-10T17:00:00Z",
    "enabledAutoRecordMeeting": False,
    "allowAnyUserToBeCoHost": False
}
response = requests.request("POST [ ] ",
    f'{BASE_URL}/v1/ [ ] meetings [ ] ', headers=headers, data=json.dumps(payload))
print(response.text.encode('utf8'))
```

Basic [] Bearer [] PUT [] title [] meetingmgr []
POST [] meetings []

NEW QUESTION: 66

Drag and drop the XML snippets onto the AXL request to build a request that sets the cluster-wide Call Park Reversion Timer to 2 minutes. Not all options are used.

Answer Area

```
<soapenv:Envelope xmlns:soapenv="http://schemas.xmlsoap.org/soap/envelope/"
  xmlns:ns="http://www.cisco.com/AXL/API/11.5">
  <soapenv:Header/>
  <soapenv:Body>
    [ ]
    [ ]
    [ ]
    <service>Cisco CallManager</service>
    <value>120</value>
    [ ]
  </soapenv:Body>
</soapenv:Envelope>
```

[] <name>CallParkDisplayTimer</name>

[] <name>CallParkReversionTimeout</name>

[] <ns:updateProcessNodeService>

[] <processNodeName>Default</processNodeName>

[] </ns:updateServiceParameter>

[] <ns:updateServiceParameter>

[] </ns:updateProcessNodeService>

[] <processNodeName>EnterpriseWideData</processNodeName>

Answer:

```

<soapenv:Envelope xmlns:soapenv="http://schemas.xmlsoap.org/soap/envelope/"
  xmlns:ns="http://www.cisco.com/AXL/API/11.5">
  <soapenv:Header/>
  <soapenv:Body>
    <ns:updateServiceParameter>
      <processNodeName>EnterpriseWideData</processNodeName>
      <name>CallParkReversionTimeout</name>
      <service>Cisco CallManager</service>
      <value>120</value>
    </ns:updateServiceParameter>
  </soapenv:Body>
</soapenv:Envelope>

```

```

<name>CallParkDisplayTimer</name>
<name>CallParkReversionTimeout</name>
<ns:updateProcessNodeService>
  <processNodeName>Default</processNodeName>
  </ns:updateServiceParameter>
  <ns:updateServiceParameter>
  </ns:updateProcessNodeService>
<processNodeName>EnterpriseWideData</processNodeName>

```

NEW QUESTION: 67

Drag and Drop Question

Drag and drop the code snippets from the bottom onto the blanks in the code to construct an AXL SOAP request that updates the CallForwardAll number for a given DN so that the helpdesk executes changes quickly. Not all options are used.

Answer Area

```
<soapenv:Header/>
<soapenv:Body>
  < [ ] >
    <pattern>4082272726</pattern>
    < [ ] >
      <destination>4085551290</destination>
    < [ ] >
  </ns:updateLine>
</soapenv:Body>
</soapenv:Envelope>
```

callForward

updateLine sequence="Fwd"

callForwardAll

/callForwardAll

ns:updateLine sequence="?"

/callForward

Answer:

Answer Area

```
<soapenv:Header/>
<soapenv:Body>
  < ns:updateLine sequence="?" >
    <pattern>4082272726</pattern>
    < callForwardAll >
      <destination>4085551290</destination>
    < /callForwardAll >
  </ns:updateLine>
</soapenv:Body>
</soapenv:Envelope>
```

callForward

updateLine sequence="Fwd"

/callForward

Explanation:

The request updates the line with pattern 4082272726.

The <callForwardAll>tag is used to specify the forwarding destination.

The sequence="?"in the updateLineis used as a placeholder for tracking the operation order (typically set to "1"or similar).

NEW QUESTION: 68

What is the expiration time for a Cisco Webex Meeting API key to access the Webex API as an anonymous user?

- A. 6 months
- B. 3 months
- C. 12 hours
- D. one week

Answer: ([SHOW ANSWER](#))

NEW QUESTION: 69

```
#!/usr/bin/env python
import os
import requests

token = os.environ.get('ACCESS_TOKEN')
url = "https://api.ciscospark.com/v1/messages"
roomId = "abcde12345"

mentionName = ""

markdownTxt = mentionName + ", your registration is confirmed"

payload = { "roomId": roomId, "markdown": markdownTxt }

headers = {
    "Authorization": "Bearer " + token,
    "Content-type": "application/json"
}

response = requests.request("POST", url, data=payload, headers = headers)
```

Refer to the exhibit. Which code snippet is used to mention the bot CiscoDevNet@webex.bot?

- A. <@personEmail.CiscoDevNet@webex.bot>
- B. @CiscoDevNet@webex.bot
- C. @personEmail.CiscoDevNet@webex.bot
- D. (@personEmail.CiscoDevNet@webex.bot)

Answer: B ([LEAVE A REPLY](#))

Section: Network Programmability Foundation

NEW QUESTION: 70

Drag and Drop Question

A small Python script is constructed that creates a Webex Meeting for John Doe scheduled for the current time. Drag and drop the code snippets at the bottom onto the areas of the source code exhibit to create a program. Not all options are used.

Answer Area

```
import requests, datetime
timestamp = datetime.datetime.now()
startDate = timestamp.strftime('%m/%d/%Y %H:%M:%S')
xml = f'''<message><header><securityContext>
```

```
</securityContext></header>
<body><bodyContent xsi:type="java:com.webex.service.binding.meeting.CreateMeeting">
```

```
<siteName>apidemoeu</siteName>
<webExID>johndoe@example.com</webExID>
<token>AAABbSKM1UYAogAKEkdfUOhBMjU2XOFMR09SSVRITV8=</token>
```

```
<schedule><startDate>(startDate)</startDate></schedule>
</bodyContent></body></message>'''
print(requests.post('https://api.webex.com/WBXService/XMLService', xml))
```

```
<metaData>
<confName>Sample Meeting</confName><meetingType>105</meetingType>
</metaData>
```

```
<siteName>apidemoeu</siteName>
<webExID>johndoe@example.com</webExID>
<sessionTicket>AAABbSKM1UYAogAKEkdfUOhBMjU2XOFMR09SSVRITV8=</sessionTicket>
```

```
<metaData>
<confName>Sample Meeting</confName><meetingType>Training Center</meetingType>
</metaData>
```

Answer:

Answer Area

```
import requests, datetime
timestamp = datetime.datetime.now()
startDate = timestamp.strftime('%m/%d/%Y %H:%M:%S')
xml = f'''<message><header><securityContext>
<siteName>apidemoeu</siteName>
<webExID>johndoe@example.com</webExID>
<sessionTicket>AAABbSKM1UYAOgAKEkdfUOhBMjU2XOFMR09SSVRITV8=</sessionTicket>
</securityContext></header>
<body><bodyContent xsi:type="java:com.webex.service.binding.meeting.CreateMeeting">
<metaData>
<confName>Sample Meeting</confName><meetingType>105</meetingType>
</metaData>
<schedule><startDate>(startDate)</startDate></schedule>
</bodyContent></body></message>'''
print(requests.post('https://api.webex.com/WBXService/XMLService', xml))
```

```
<siteName>apidemoeu</siteName>
<webExID>johndoe@example.com</webExID>
<token>AAABbSKM1UYAOgAKEkdfUOhBMjU2XOFMR09SSVRITV8=</token>
```

```
<metaData>
<confName>Sample Meeting</confName><meetingType>Training Center</meetingType>
</metaData>
```

NEW QUESTION: 71

Drag and Drop Question

Refer to the exhibit. A bot is receiving notifications such as the one displayed in the exhibit. Drag and drop the code onto the snippet to complete the API request that was sent to Webex Teams so that the bot will receive these notifications. Not all options are used.

POST/HTTP/1.1

Content-Type: application/json; charset=UTF-8

X-Spark-Signature: 06edc2e2f6d0a9d504c3f96367687cae0dedefcb

TrackingID: CLIENT_bfe5e832-45a6-4b96-bfd7-8c36122c3c1e_t:45dc3765

```
{
  "id": "Y21zY29zcGFyazovL3VzL1dFQkhPT0svYmI5MGE5MDAtNjM4YyYzRiOThhMjk5",
  "name": "exam question",
  "targetUrl": "https://2615c331.ngrok.io",
  "resource": "messages",
  "event": "created",
  "filter": "roomId=Y21zY29zcGFyazovMGNmNi0xMwVhLTk1ODktNzMyYjA4ZjhhYzE1",
  "orgId": "Y21zY29zcGFyazovL3VzL09kZi05NjQzLTQxN2YtOTk3NC1hZDcyY2FlMGUxMGY",
  "createdBy": "Y21zY29zcGFyazovL3VzL1l1ZTdiLTRkNjktOGYzOS0wNGI2YTF1NzE1ZmU",
  "appId": "Y21zY29zcGFy5YmE1MmZlY2JiMmM3ZDUxNWNiNGEwY2M5MWFh",
  "ownedBy": "creator",
  "status": "active",
  "created": "2019-11-22T07:08:51.934Z",
  "actorId": "Y21zY29zcGFyazovL3VzLTRhNDEtOGM0MS0yYWJkZjg5ZjQ0ZjQ",
  "data": {
    "id": "Y21zY29zcGFyazovL3VzL01FU1mNy0xMwVhLTk1ODktNzMyYjA4ZjhhYzE1",
    "roomId": "Y21zY29zcGFyazovMGNmNi0xMwVhLTk1ODktNzMyYjA4ZjhhYzE1",
    "roomType": "group",
    "personId": "Y21zY29zcGFyazovhNDEtOGM0MS0yYWJkZjg5ZjQ0ZjQ",
    "personEmail": "user@example.com",
    "mentionedPeople": [
      "Y21zY29zcGFyazovL3VzLjktOGYzOS0wNGI2YTF1NzE1ZmU"
    ]
  },
  "created": "2019-11-22T07:09:20.700Z"
}
```

Answer Area

```
curl -X [ ] https://api.ciscospark.com/v1/[ ] \
-H ' [ ] 'NTIwNTUyOWtNDkz_Pf84-9974-ad72ce10f' \
-H 'Content-Type: application/json' \
-d '{
  "name": "exam question",
  "resource": "messages",
  "event": "created",
  "filter": "roomId= Y21zY29zcGFyazovMGNmNi0xMwVhLTk1ODktNzMyYjA4ZjhhYzE1",
  "targetUrl": "https://2615c331.ngrok.io",
  [ ]
}'
```

"secret": "VERY SECRET"	"actor":	Authentication: Bearer
Authentication: OAuth	GET	webhooks
POST	"status": "active"	messages
events	Authorization: Bearer	PUT
Authorization: OAuth	"actor":	

Answer:

Answer Area

```
curl -X POST https://api.ciscopark.com/v1/messages \
-H 'Authentication: Bearer NTIwNTUyOWtNDkz_PF84-9974-ad72ce10f' \
-H 'Content-Type: application/json' \
-d '{
  "name": "exam question",
  "resource": "messages",
  "event": "created",
  "filter": "roomId= Y2lzY29zcGFyazovMGNmNi0xMjVhLk1ODktNzMyYjA4ZjhhYzE1",
  "targetUrl": "https://2615c331.ngrok.io",
  "status": "active"
}'
```

Available code snippets for drag and drop:

- "secret": "VERY SECRET"
- "actor":
- Authentication: OAuth
- GET
- webhooks
- events
- Authorization: Bearer
- PUT
- Authorization: OAuth
- "actor":

NEW QUESTION: 72

Drag and Drop Question

Drag and drop the code snippets from the bottom onto the blanks in the code to configure a new call bridge using the REST API. Not all options are used.

Answer Area

```
import requests, json
token = 'eyJhbGciOiJIUzI1NiIsInR5cCI6IkpzZW50L3NpdCIsImV4cCI6MTY1MjY0MjY0fQ.eyJyJmN8'
url = 'http://cmsapi.cisco.io/api/v1/ [ ] '
headers = {
  'Authorization': f' [ ] (token)',
  'Content-Type': 'x-www-form-urlencoded'
}
body = "name=DevNet%20Bridge&address=https://cms1.pod1.dnet&sipDomain=pod1.dnet"
response = requests.request(" [ ] ", url, headers=headers, data=body)
print(response.text, [ ] ('utf8'))
```

callBridges

encode

POST

Bearer

manageBridge

decode

PUT

Answer:

Answer Area

```
import requests, json
token = 'eyJhbGciOiJIUzI1NiIsInR5cCI6IkpzZW50L3NpdCIsImV4cCI6MTY1MjY0MjY0fQ.eyJyJmN8'
url = 'http://cmsapi.cisco.io/api/v1/ callBridges '
headers = {
  'Authorization': f' Bearer (token)',
  'Content-Type': 'x-www-form-urlencoded'
}
body = "name=DevNet%20Bridge&address=https://cms1.pod1.dnet&sipDomain=pod1.dnet"
response = requests.request(" POST ", url, headers=headers, data=body)
print(response.text, encode ('utf8'))
```

manageBridge

decode

PUT

Explanation:

callBridges is the REST endpoint used to configure or manage Call Bridges in Cisco Meeting Server.

Bearer is the correct prefix for the Authorization header when using a bearer token.

POST is used to create a new resource (like a Call Bridge).

response.text is already a string. You can't decode a string - only bytes can be decoded. So encode is used to encode the response in UTF-8 for proper formatting.

NEW QUESTION: 73

When the behavior of a Cisco collaboration device is customized, which use case requires an external control system because implementing JavaScript macro does not suffice?

- A. Add a Join Webex meeting button to the touch panel.
- B. Move the shutters up and down.
- C. Trigger a "room-reset" to restore default configurations.
- D. Implement an in-room control panel for speed-dialing.

Answer: D (LEAVE A REPLY)

Section: Collaboration Endpoints

Explanation

NEW QUESTION: 74

What are two key features of Cisco Unified Communications Manager Serviceability APIs?
(Choose two.)

- A. connect to serial console on phone hardware
- B. configure firewall rules on phone hardware
- C. save alarms and events for troubleshooting
- D. scan servers and devices for malware
- E. real-time monitoring of components

Answer: C,E (LEAVE A REPLY)

NEW QUESTION: 75

When the behavior of a Cisco collaboration device is customized, which use case requires an external control system because implementing JavaScript macro does not suffice?

- A. Add a Join Webex meeting button to the touch panel.
- B. Move the shutters up and down.
- C. Trigger a "room-reset" to restore default configurations.
- D. Implement an in-room control panel for speed-dialing.

Answer: D (LEAVE A REPLY)

Section: Collaboration Endpoints

NEW QUESTION: 76

Drag and drop the code snippets from the bottom onto the blanks in the code to implement a call using the Cisco Webex REST API to retrieve 10 messages in an organization created between October 10th 2019 and October 12th 2019. Not all options are used.

Select and Place:

Answer Area

```
 https://api.ciscopark.com/v1/events?resource=  
messages&  =  &from=  
2019-10-10T00:00:00.000  =  
2019-10-12T00:00:00.000Z&max=10
```

Answer:

Answer Area

```
 https://api.ciscopark.com/v1/events?resource=  
messages&  =  &from=  
2019-10-10T00:00:00.000  =  
2019-10-12T00:00:00.000Z&max=10
```

Valid 300-835 Dumps shared by TrainingQuiz.com for Helping Passing 300-835 Exam! TrainingQuiz.com now offer the **newest 300-835 exam dumps**, the TrainingQuiz.com 300-835 exam **questions have been updated** and **answers have been corrected** get the **newest** TrainingQuiz.com 300-835 dumps with Test Engine here:
<https://www.trainingquiz.com/300-835-practice-quiz.html> (132 Q&As Dumps, **40%OFF** Special Discount: **Exam-Tests**)

NEW QUESTION: 77

What is a benefit of Python virtual environments?

- A. separate package dependencies for each application
- B. shared libraries across all projects

- C. shared workspace for Python applications
- D. dedicated CPU and memory for each application

Answer: ([SHOW ANSWER](#))

Explanation:

Python virtual environments allow each project to maintain its own isolated set of dependencies, avoiding conflicts between packages required by different applications. This is especially important when applications require different versions of the same library.

NEW QUESTION: 78

How is a message created using Webex Teams REST APIs?

- A. GET https://api.ciscospark.com/v1/messages/
- B. POST https://api.ciscospark.com/v1/messages/
- C. PUT https://api.ciscospark.com/v1/messages/
- D. POST https://api.ciscospark.com/v1/messages/{messageID}

Answer: ([SHOW ANSWER](#))

NEW QUESTION: 79

This Python script automates the creation of a Webex Teams space and adds participants to the space. Drag and drop code on the snippet to complete the script. Not all options are used.

Answer Area

```

import requests

head = { 'Content-Type': ' ',
        'Authorization': 'Bearer NWU4NjQ0YWUtnJYItMWMY_-417f-ae0e10f' }

res = requests.post(url = 'https://api.ciscospark.com/v1/rooms/',
                    headers = head, json = { ' ': 'Populate members' })

spaceId = res.json()['id']

members = ['ToEnglish@webex.bot', 'ToSpanish@webex.bot']
for members in members:
    requests.post(url='https://api.ciscospark.com/v1/ ',
                  headers = head,
                  json = { 'roomId': spaceId, ' ': member})

```

/memberships	person	title	/rooms
/spaces	personEmail	application/xml	
application/json	name	/members	

Answer:

Answer Area

```
import requests

head = { 'Content-Type': ' application/json ',
        'Authorization': 'Bearer NWU4NjQ0YWUtNjYItMWMMy_-417f-ae0e10f' }

res = requests.post(url = 'https://api.ciscopark.com/v1/rooms/',
                   headers = head, json = { ' title ': 'Populate members' })

spaceId = res.json()['id']

members = ['ToEnglish@webex.bot', 'ToSpanish@webex.bot']
for members in members:
    requests.post(url='https://api.ciscopark.com/v1/ /memberships /',
                 headers = head,
                 json = { 'roomId': spaceId, ' personEmail ': member})
```

/memberships

person

title

/rooms

/spaces

personEmail

application/xml

application/json

name

/members

NEW QUESTION: 80

An administrator is creating a script using the Python xAPI over WebSockets (pyxows) library. The goal of the script is to capture an event generated by a UI Extensions action button (former In-Room Control Panel).

When the action button is clicked, the script displays an alert that says that the button ID was clicked. Drag and drop the code snippets into the locations to complete the script:

Answer Area

```
import xows
import asyncio
```

```
async def start(ip, usr, pw):
    async with xows.XoWSClient(ip,username=usr, password=pw) as client:
        async def callback(data,id_):
```

```
            await client.wait_until_closed()
        async def task():
```

```
await client.xCommand(['UserInterface', 'Message', 'Alert', 'Display'], Title=panelid, Text= "Was clicked")
```

```
panelId = data['Event']['UserInterface']['Extensions']['Panel']['Clicked']['PanelId']
```

```
await start('10.10.10.1', 'admin', 'T357c45e')
```

```
await client.subscribe(['Event', 'UserInterface', 'Extensions', 'Panel', 'Clicked'], callback, True)
```

```
asyncio.run(task())
```

Answer:

Answer Area

```
import xows
import asyncio
```

```
async def start(ip, usr, pw):
    async with xows.XoWSClient(ip,username=usr, password=pw) as client:
        async def callback(data,id_):
```

```
            panelId = data['Event']['UserInterface']['Extensions']['Panel']['Clicked']['PanelId']
```

```
            await client.xCommand(['UserInterface', 'Message', 'Alert', 'Display'], Title=panelid, Text= "Was clicked")
```

```
            await client.subscribe(['Event', 'UserInterface', 'Extensions', 'Panel', 'Clicked'], callback, True)
```

```
            await client.wait_until_closed()
```

```
        async def task():
```

```
            await start('10.10.10.1', 'admin', 'T357c45e')
```

```
    asyncio.run(task())
```

```
await client.xCommand(['UserInterface', 'Message', 'Alert', 'Display'], Title=panelid, Text= "Was clicked")
```

```
panelId = data['Event']['UserInterface']['Extensions']['Panel']['Clicked']['PanelId']
```

```
await start('10.10.10.1', 'admin', 'T357c45e')
```

```
await client.subscribe(['Event', 'UserInterface', 'Extensions', 'Panel', 'Clicked'], callback, True)
```

```
asyncio.run(task())
```

NEW QUESTION: 81

Drag and Drop Question

Drag and drop the code snippets into the correct order to create a Python Webex Teams REST API script that performs this sequence of tasks: create a Space, add a user to the Space, post the word "test" in the Space. Assume that the Python "requests" module has already been imported.

Answer Area

Step 1

Step 2

Step 3

Step 4

Step 5

```
payload = { 'roomId': resp1.json()['id'], 'text': 'test' }  
resp2 = requests.post(url + '/messages', headers=headers, json=payload)
```

```
if resp2.status_code == 200:  
    print('Success!')
```

```
headers = { 'Content-type': 'application/json',  
            'Authorization': 'Bearer YTQzMzBiZmItNDJkNCO643-417974-ad72cae0e10f' }  
url = 'https://api.ciscospark.com/v1'
```

```
payload = { 'title': 'test' }  
resp1 = requests.post(url + '/rooms', headers=headers, json=payload)
```

```
payload = { 'roomId': resp1.json()['id'], 'personEmail': 'test@test.com' }  
requests.post(url + '/memberships', headers=headers, json=payload)
```

Answer:

Answer Area

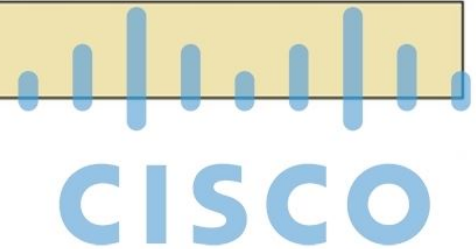
```
headers = { 'Content-type': 'application/json',  
'Authorization': 'Bearer YTQzMzBiZmItNDJkNCO643-417974-ad72cae0e10f' }  
url = 'https://api.ciscospark.com/v1'
```

```
payload = { 'title': 'test' }  
resp1 = requests.post(url + '/rooms', headers=headers, json=payload)
```

```
payload = { 'roomId': resp1.json()['id'], 'personEmail': 'test@test.com' }  
requests.post(url + '/memberships', headers=headers, json=payload)
```

```
payload = { 'roomId': resp1.json()['id'], 'text': 'test' }  
resp2 = requests.post(url + '/messages', headers=headers, json=payload)
```

```
if resp2.status_code == 200:  
print('Success!')
```



NEW QUESTION: 82

Refer to the exhibit.

```
import xows  
import asyncio  
  
async def start(ip, usr, pw):  
    async with xows.XoWSClient(ip, username=usr, password=pw) as client:  
        async def callback(data, id_):  
            if id_ == 0:  
                <SNIPPET>  
  
            await client.subscribe(['Status', 'Audio', 'Volume'], callback, True)  
            await client.wait_until_closed()  
  
asyncio.run(start('10.10.10.1', 'admin', 'T357c45e'))
```

An administrator is creating a script using the Python xAPI over WebSockets(pyxows) library. The goal of this script is to monitor the volume of the endpoint and set the volume to 60 whenever the

volume has been set higher than that amount. Which code snippet accomplishes this task when it is added?

- ```
A. if data ['Status']['Audio']['Volume'] > 60:
 await client.xCommand(['Audio', 'Volume', 'Set'], Level=60)

B. if data ['Status']['Audio']['Volume'] > 60:
 await client.xGet(['Status', 'Audio', 'Volume'])

C. if data ['Status']['Audio']['Volume'] > 60:
 await client.subscribe(['Status', 'Audio', 'Volume'].callback, Level=60)

D. if data ['Status']['Audio']['Volume'] > 60:
 await client.xSet(['Configuration', 'Audio', 'DefaultVolume'], 60))
```

- A. Option A
- B. Option C
- C. Option B
- D. Option D

**Answer: A** ([LEAVE A REPLY](#))

### NEW QUESTION: 83

Refer to the exhibit. This Python script uses the websocket-based, xAPI library "pyxows" to monitor and print event details to the console when users interact with UI Extension/In-Room Control 'Action Buttons' deployed to the Touch-10 interface of a Webex room device.

Which two code snippets successfully capture such events? (Choose two.)

```
import xows
import asyncio

async def start(ip, usr, pw):
 async with xows.XoWSClient(ip, username=usr, password=pw) as client:
 async def callback(data, id_):
 print(f'Feedback {id} (Id {id_}): {data}')

 await client.wait_until_closed()
 async def task():
 await start('10.10.10.1', 'admin', 'T357c45e')

asyncio.run(task())
```

- A. await client.subscribe(['Event', '\*\*'], callback)
- B. await client.xEvent(['Event', 'UserInterface', 'Extensions', 'Panel', 'Clicked'], callback)
- C. await client.subscribe(['Event', 'UserInterface', 'Extensions', 'Panel', 'Clicked'], callback)
- D. await client.subscribe(['Event', 'ActionButton', 'Clicked'], callback)
- E. await client.xEvent(['Event', '\*\*'], callback)

**Answer: B,C** ([LEAVE A REPLY](#))

## NEW QUESTION: 84

Refer to the exhibit.

```
<xsd:complexType name="metaDataType">
 <xsd:sequence>
 <xsd:element name="confName" type="xsd:string" minOccurs="0"/>
 <xsd:element name="meetingType" type="xsd:long" default="-1" minOccurs="0"/>
 <xsd:element name="agenda" minOccurs="0">
 <xsd:simpleType>
 <xsd:restriction base="xsd:string">
 <xsd:maxLength value="2500"/>
 </xsd:restriction>
 </xsd:simpleType>
 </xsd:element>
 <xsd:element name="greeting" type="xsd:string" minOccurs="0"/>
 <xsd:element name="location" type="xsd:string" minOccurs="0"/>
 <xsd:element name="invitation" type="xsd:string" minOccurs="0"/>
 <xsd:element name="setNonMTOptions" type="xsd:boolean" minOccurs="0"/>
 <xsd:element name="sessionTemplate" type="com:sessionTemplateType" minOccurs="0"/>
 <xsd:element name="isInternal" type="xsd:boolean" minOccurs="0"/>
 </xsd:sequence>
</xsd:complexType>
```

Based on this Webex Meetings XML API schema snippet, which XML object is a valid <metaData> element?

- A. `<metaData>  
 <confName>Sample Meeting</confName>  
 <meetingType>Event Center</meetingType>  
 <agenda>Coding 101</agenda>  
 <isInternal>Internal</isInternal>  
</metaData>`
- B. `<metaData>  
 <confName>Sample Meeting</confName>  
 <meetingType>105</meetingType>  
 <agenda>Coding 101</agenda>  
 <isInternal>true</isInternal>  
</metaData>`
- C. `<metaData>  
 <confname>Sample Meeting</confname>  
 <meetingType>105</meetingType>  
 <agenda>Coding 101</agenda>  
 <isInternal>true</isInternal>  
</metaData>`
- D. `<metaData>  
 <confName>Sample Meeting</confName>  
 <meetingType>Event Center</meetingType>  
 <agenda>Coding 101</agenda>  
 <isInternal>no</isInternal>  
</metaData>`

- A. Option A  
B. Option B  
C. Option C  
D. Option D

Answer: C ([LEAVE A REPLY](#))

#### NEW QUESTION: 85

Refer to the exhibit.

```

import requests

def createUser(apiKey, email, firstName, lastName, displayName):
 url = "https://api.ciscospark.com/v1/people"
 headers = {
 'Authorization': "Bearer " + apiKey,
 'Content-Type': "application/json"
 }
 body = {

 }
 response = requests.post(url = url, headers = headers, json=body)
 return response

```

Which snippet of code does a user with the administrator role use in the missing "body" section to create a new user in a Webex Teams organization?

1. "displayName": displayName,  
"firstName": firstName,  
"lastName": lastName

3. "emails": {  
    email

    },  
    "displayName": displayName,  
    "firstName": firstName,  
    "lastName": lastName

2. "email": email,  
"displayName": displayName,  
"firstName": firstName,  
"lastName": lastName

4. "emails": [  
    email  
],  
"displayName": displayName,  
"firstName": firstName,  
"lastName": lastName

- A. Option B
- B. Option A
- C. Option D
- D. Option C

Answer: C ([LEAVE A REPLY](#))

**NEW QUESTION: 86**

When the behavior of a Cisco collaboration device is customized, which use case requires an external control system because implementing JavaScript macro does not suffice?

- A. Add a Join Webex meeting button to the touch panel.
- B. Trigger a "room-reset" to restore default configurations.
- C. Implement an in-room control panel for speed-dialing.
- D. Move the shutters up and down.

**Answer: D** ([LEAVE A REPLY](#))

**NEW QUESTION: 87**

Drag and Drop Question

Drag and drop the code from the bottom onto the box where the code is missing in the JavaScript code to schedule a meeting on a future date. Not all options are used.

**Answer Area**

```
var request = require("request");

const options = {
 method: "POST",
 uri: "https://api.ciscospark.com/v1/meetings",
 headers: {
 "Host": "api.ciscospark.com",
 [REDACTED],
 "Authorization": "Bearer aQzZmadfNlN2tsfZYi00TFWE4a6aa4",
 },
 body: {
 "title": "Project Update",
 "password": [REDACTED],
 "start": "2020-06-05T18:00:00+0000",
 "end": "2020-06-05T18:30:00+0000",
 "recurrence": "FREQ=DAILY;INTERVAL=1;COUNT=20",
 "enabledAutoRecordMeeting": false,
 [REDACTED]
 },
 json: true
}

request(options, function(error, response){
 if(response.statusCode!=200){
 console.log("Something unexpected happened status:",
 response.statusCode);
 }
 console.log(response.body);
});
```

- |                                                  |                                           |
|--------------------------------------------------|-------------------------------------------|
| <code>"allowAnyUserToBeCoHost": false</code>     | <code>"p@ssw0rd",</code>                  |
| <code>Null</code>                                | <code>"timezone": "Europe/Athens",</code> |
| <code>"Content-Type": "application/json",</code> |                                           |

**Answer:**

## Answer Area

```
var request = require("request");

const options = {
 method: "POST",
 uri: "https://api.ciscospark.com/v1/meetings",
 headers: {
 "Host": "api.ciscospark.com",
 "Content-Type": "application/json",
 "Authorization": "Bearer aQzZmadfNlN2tsfZYi00TFWE4a6aa4",
 },
 body: {
 "title": "Project Update",
 "password": "p@ssw0rd",
 "start": "2020-06-05T18:00:00+0000",
 "end": "2020-06-05T18:30:00+0000",
 "recurrence": "FREQ=DAILY;INTERVAL=1;COUNT=20",
 "enabledAutoRecordMeeting": false,
 "timezone": "Europe/Athens",
 },
 json: true
}

request(options, function(error, response){
 if(response.statusCode!=200){
 console.log("Something unexpected happened status:",
 response.statusCode);
 }
 console.log(response.body);
});
```

"allowAnyUserToBeCoHost": false

Null

Explanation:

"Content-Type"header must be set to "application/json"for a JSON payload.

"password" is required for the meeting and filled with "p@ssw0rd".

"timezone" helps ensure correct scheduling across time zones.

### NEW QUESTION: 88

Drag and Drop Question

Drag and drop the code snippets from the bottom onto the blanks in the code to create a Cisco Webex CreateMeeting API request. Not all options are used.

## Answer Area

```
import requests
url = "https://api.webex.com/WBXService/[]"

payload = f'''<?xml []="1.0" encoding="UTF-8"?>
<serv:message xmlns:xsi="http://www.w3.org/2001/XMLSchema-instance">
 <header>
 <securityContext>
 <webExID>test_user</webExID>
 <password>cisco!123</password>
 <siteName>apidemoeu</siteName>
 </securityContext>
 </header>
 <body>
 <[] xsi:type="java:com.webex.service.
 binding.meeting.createMeeting">
 <metaData>
 <confName>Sample Meeting</confName>
 </metaData>
 <schedule>
 <startDate/>
 </schedule>
 </bodyContent>
 </body>
</serv:message>'''

headers = {'Content-Type': '[]'}
response = requests.post(url, headers=headers, data=payload)
```

Answer:

## Answer Area

```
import requests
url = "https://api.webex.com/WBXService/ XMLService "

payload = f'''<?xml version = "1.0" encoding="UTF-8"?>
<serv:message xmlns:xsi="http://www.w3.org/2001/XMLSchema-instance">
 <header>
 <securityContext>
 <webExID>test_user</webExID>
 <password>cisco!123</password>
 <siteName>apidemoeu</siteName>
 </securityContext>
 </header>
 <body>
 < bodyContent xsi:type="java:com.webex.service.
 binding.meeting.createMeeting">

 <metaData>
 <confName>Sample Meeting</confName>
 </metaData>
 <schedule>
 <startDate/>
 </schedule>
 </bodyContent>
 </body>
</serv:message>'''

headers = {'Content-Type': ' application/xml '}
response = requests.post(url, headers= headers , data = payload)
```

application/json

XMLSettings

Explanation:

XMLService is appended to the Webex endpoint URL - the full service path is `https://api.webex.com/WBXService/XMLService` when using XML APIs.

version is used to specify the XML declaration (e.g., `<?xml version="1.0"...>`).

bodyContent is correct tag name under `<body>` when creating a meeting using XML API.

application/xml is the correct content type for XML-based requests to Webex APIs.

### NEW QUESTION: 89

Drag and drop the commands from the left onto the curl command to create a custom branding message using the xAPI HTTP API. Not all options are used.

- POST
- Content-Type: text/xml
- PUT
- putxml
- <BrandingConfig>
- </BrandingConfig>
- <Branding>
- postxml
- Content: text
- </Branding>
- <Configuration>
- </Configuration>

**Answer Area**

```

curl -X [] \
 http://192.168.1.34/[] \
 -H 'Authorization: Basic aW50ZWdyYXRvcjppbnRlZ3JhdG9yDQo=' \
 -H ' [] ' \
 -d ' []
 <UserInterface>
 <CustomMessage>My Company Branding</CustomMessage>
 </UserInterface>
 []
 '

```

**Answer:**

- POST
- Content-Type: text/xml
- PUT
- putxml
- <BrandingConfig>
- </BrandingConfig>
- <Branding>
- postxml
- Content: text
- </Branding>
- <Configuration>
- </Configuration>

**Answer Area**

```

curl -X POST \
 http://192.168.1.34/putxml \
 -H 'Authorization: Basic aW50ZWdyYXRvcjppbnRlZ3JhdG9yDQo=' \
 -H 'Content-Type: text/xml' \
 -d '<Configuration>
 <UserInterface>
 <CustomMessage>My Company Branding</CustomMessage>
 </UserInterface>
 </Configuration>'

```

**NEW QUESTION: 90**

Drag and drop the code to complete the curl command that creates a halfwake brand logo using the xAPI HTTP API. Not all options are used. Code can be used more than one time.

Answer Area

```
curl -X POST "http://192.168.1.32/ [] " \
-H "Content-Type: text/xml" \
-H "Authorization: [] cmVtb3Rlc3VwcG9ydDo2US82a0JDYnJ0DQo=" \
-d "<Command>
<UserInterface>
 < [] >
 <Upload>
 <Type>HalfwakeBranding</Type>
 < [] >iVBORw0KGgoAAAANSUheUgAAAAAAAEQCAYAAA
B4CisVAAAAAXNSR0IARs4c6QAAACBjSFJNAAB6JgAAgIQAAPoAAACA6AAAdTAAAOpgAAA6mAAAF3Ccule8
AAAACXBIWXMAABJ0AAASdaHeZh94AAABY2lUWHRYTUw6Y29CC</ [] >
 </Upload>
 </ [] >
</UserInterface>
</Command>"
```

- |                                        |                                   |                                 |
|----------------------------------------|-----------------------------------|---------------------------------|
| <input type="checkbox"/> body          | <input type="checkbox"/> Branding | <input type="checkbox"/> getxml |
| <input type="checkbox"/> Basic         | <input type="checkbox"/> putxml   | <input type="checkbox"/> Brand  |
| <input type="checkbox"/> Configuration | <input type="checkbox"/> Digest   | <input type="checkbox"/> Bearer |

Answer:

Answer Area

```
curl -X POST "http://192.168.1.32/ putxml" \
-H "Content-Type: text/xml" \
-H "Authorization: Basic cmVtb3Rlc3VwcG9ydDo2US82a0JDYnJ0DQo=" \
-d "<Command>
<UserInterface>
 < Branding >
 <Upload>
 <Type>HalfwakeBranding</Type>
 < body >iVBORw0KGgoAAAANSUheUgAAARAAAAEQCAYAAA
B4CisVAAAAAXNSR0IArs4c6QAAACBjSFJNAAB6JgAAGIQAAPOAAACA6AAAdTAAAOpgAAA6mAAAF3CculE8
AAAACXBIWXMAABJ0AAASdaHeZh94AAABY2lUWHRYTUw6Y29CC</ body >
 </Upload>
 </ Branding >
</UserInterface>
</Command>"
```

|               |          |        |
|---------------|----------|--------|
| body          | Branding | getxml |
| Basic         | putxml   | Brand  |
| Configuration | Digest   | Bearer |

NEW QUESTION: 91

Drag and Drop Question

Refer to the exhibit. Drag and drop the code snippets from the bottom onto the blanks in the code to construct a cURL command that edits an existing space to change the name to Annual Meeting. Not all options are used.

## Creating and Modifying a coSpace

- Creating: POST method to the "/coSpaces" node. If the coSpace was created successfully, a "200 OK" response is received, and the "Location" header contains the ID for the new coSpace
- Modifying: PUT method on a "/coSpaces/<coSpace ID>" node

| Parameters             | Type/Value             | Description/Notes                                                                                                                                    |
|------------------------|------------------------|------------------------------------------------------------------------------------------------------------------------------------------------------|
| userProvisionedCoSpace | ID                     | Instantiate a new coSpace from the user provisioned cospace. When this parameter is present all the other parameters are ignored. (from version 3.1) |
| name                   | String                 | The human-readable name that will be shown on clients' UI for this coSpace                                                                           |
| uri                    | String (URI user part) | The URI that a SIP system would use to dial in to this coSpace. (The URI "user part" is the part before any '@' character in a full URI.)            |

### Answer Area

```
curl -X [] \
 https://cms.domain.local/api/v1/coSpaces/asdf-1234-qwer-y555 \
 -H 'Authorization: [] YWRtaW46YzFzY28xMjM=' \
 -H 'content-type: multipart/[]' \
 -F '[]'
```

name = Annual Meeting

POST

PUT

Basic

name: "Annual Meeting"

form-data

### Answer:

#### Answer Area

```
curl -X [] PUT \
 https://cms.domain.local/api/v1/coSpaces/asdf-1234-qwer-y555 \
 -H 'Authorization: [] Basic YWRtaW46YzFzY28xMjM=' \
 -H 'content-type: multipart/[] form-data' \
 -F '[] name = Annual Meeting'
```

POST

name: "Annual Meeting"

### Explanation:

To modify an existing coSpace, the correct HTTP method is PUT. Authentication requires Basic format with base64-encoded credentials. Since we are updating the coSpace name, the parameter name = Annual Meetingis passed as form datain a multipart request.

**Valid 300-835 Dumps** shared by TrainingQuiz.com for Helping Passing 300-835 Exam! TrainingQuiz.com now offer the **newest 300-835 exam dumps**, the TrainingQuiz.com 300-835 exam **questions have been updated** and **answers have been corrected** get the **newest** TrainingQuiz.com 300-835 dumps with Test Engine here:  
<https://www.trainingquiz.com/300-835-practice-quiz.html> (132 Q&As Dumps, **40%OFF** Special Discount: **Exam-Tests**)

### NEW QUESTION: 92

Refer to the exhibit.

```
import requests
import json

url = 'https://api.ciscospark.com/v1/rooms'
access_token = 'TQxMjNjMmWQyOTC4ZDUONzJmOTEtNjIx_Pf84_1eb65fdf-9643-417f-9974-ad72caed10f'
refresh_token = 'Pf84_1eb65fdf-9643-417f-9974-ad72caed10f_TQxMjNjMmWQyOTC4ZDUONzJmOTEtNjIx'

room_title = 'My new Teams room'
```

Which code snippet must be added to the blank in the script to create a new Cisco Webex space?

A.

```
response = requests.post(
 url,
 headers={'Authorization': 'Bearer ' + refresh_token,
 'Content-type': 'application/json;charset=utf-8'},
 data = json.dumps({'title': room_title})
)
```

B.

```
response = requests.put(
 url,
 headers={'Authorization': 'Bearer ' + access_token,
 'Content-type': 'application/json;charset=utf-8'},
 data = json.dumps({'title': room_title})
)
```

```
response = requests.post(
 url,
 headers={'Authorization': 'Bearer ',
 'Content-type': 'application/json;charset=utf-8'},
 data = json.dumps({'title': room_title})
)
```

C.

D.

```
response = requests.post(
 url,
 headers={'Authorization': 'Bearer ' + access_token,
 'Content-type': 'application/json;charset=utf-8'},
 data = json.dumps({'title': room_title})
)
```

**Answer: D** ([LEAVE A REPLY](#))

Explanation:

To create a new Webex space (room) using the Webex REST API, you must send a POST request to the /v1/rooms endpoint using a valid access token for authorization.

This uses the correct HTTP method (POST), authenticates with the correct token (access\_token), and formats the JSON body properly with the required title field.

### NEW QUESTION: 93

DRAG DROP

An administrator is creating a script using the Python xAPI over WebSockets (pyxows) library. The goal of the script is to capture an event generated by a UI Extensions action button (former In-Room Control Panel). When the action button is clicked, the script displays an alert that says



- B. Build a custom browser-based agent desktop.
- C. Build a Finesse gadget to create new agents on the Finesse system.
- D. Integrate customer relationship management capabilities into the Finesse agent desktop.
- E. Build a Finesse gadget to configure Finesse log levels for the Finesse administrator console.

**Answer: B,D ([LEAVE A REPLY](#))**

#### **NEW QUESTION: 95**

Which two capabilities can be implemented in a custom application using the Cisco Unified IP Phone Services API? (Choose two.)

- A. Authenticate the phone to the network.
- B. Display corporate directory information.
- C. Play multicast messages.
- D. Upgrade phone firmware.
- E. Create new phone devices.

**Answer: C,E ([LEAVE A REPLY](#))**

Section: Unified Communication

#### **NEW QUESTION: 96**

Which two methods can be used to add a custom UI panel to a Webex room device? (Choose two.)

- A. Import an existing panel configuration file by connecting a USB storage drive to the device.
- B. Use xAPI to push a JSON panel configuration to the device.
- C. Create a panel using the device UI Extensions Editor (previously In-Room Controls).
- D. Restore a device backup file present on a PC that contains a panel configuration.
- E. From a T-shell session, use the git command to merge the XML configuration of a panel.

**Answer: A,E ([LEAVE A REPLY](#))**

Section: Meetings

Explanation/Reference:

#### **NEW QUESTION: 97**

Drag and Drop Question

An engineer must automate the creation of daily, 30-minute meetings at 10 AM for the next 50 days. Drag and drop the code snippets from the bottom onto the boxes in the Python script to create the meetings by using the Webex Meetings API. Not all options are used.

## Answer Area

```
import requests
import
token = "adoch56x"
url = "https://webexapis.com/v1/ "
payload = json. ({
 "title": "Daily meeting",
 "agenda": "Daily Agenda",
 "password": "AsScwor3",
 "start": "2021-11-29T10:00:00",
 "end": "2021-11-29T10:30:00",
 "timezone": "Europe/Paris",
 "recurrence": "FREQ=DAILY;INTERVAL=;COUNT=50",
 "enabledAutoRecordMeeting": False,
 "allowAnyUserToBeCoHost": False
})
headers = {
 'Content-Type': 'application/json',
 'Authorization': 'Bearer {}'.format(token)
}
response = requests.request("POST", url, headers=headers, data=payload)
```

Answer:

## Answer Area

```
import requests
import
token = "adoch56x"
url = "https://webexapis.com/v1/ "
payload = json. ({
 "title": "Daily meeting",
 "agenda": "Daily Agenda",
 "password": "AsScwor3",
 "start": "2021-11-29T10:00:00",
 "end": "2021-11-29T10:30:00",
 "timezone": "Europe/Paris",
 "recurrence": "FREQ=DAILY;INTERVAL=;COUNT=50",
 "enabledAutoRecordMeeting": False,
 "allowAnyUserToBeCoHost": False
})
headers = {
 'Content-Type': 'application/json',
 'Authorization': 'Bearer {}'.format(token)
}
response = requests.request("POST", url, headers=headers, data=payload)
```

Explanation:

jsonis imported to handle JSON serialization.

meetingsis the correct endpoint for scheduling Webex meetings.

json.dumpsconverts the Python dictionary to a JSON string for the request body.

INTERVAL=1sets the recurrence to daily.

### NEW QUESTION: 98

An administrator is creating a script using the Python xAPI over WebSockets (py xows) library. The goal of the script is to capture an event generated by a UI Extensions action button (former In-Room Control Panel).

When the action button is clicked, the script displays an alert that says that the button ID was clicked. Drag and drop the code snippets into the locations to complete the script:

**Answer Area**

```
import xows
import asyncio

async def start(ip, usr, pw):
 async with xows.XoWSClient(ip,username=usr, password=pw) as client:
 async def callback(data,id_):
 []
 []
 []
 await client.wait_until_closed()
 async def task():
 []
 []
```

[ ]

[ ]

[ ]

[ ]

[ ]

[ ]

[ ]

[ ]

[ ]

[ ]

[ ]

[ ]

**Answer:**

### Answer Area

```
import xows
import asyncio

async def start(ip, usr, pw):
 async with xows.XoWSClient(ip,username=usr, password=pw) as client:
 async def callback(data,id_):
 panelId = data['Event']['UserInterface']['Extensions']['Panel']['Clicked']['PanelId']
 await client.xCommand(['UserInterface','Message','Alert','Display'], Title=panelid, Text= "Was clicked")
 await client.subscribe(['Event','UserInterface','Extensions','Panel','Clicked'], callback, True)
 await client.wait_until_closed()
 async def task():
 await start('10.10.10.1','admin','T357c45e')
 asyncio.run(task())
```

```
await client.xCommand(['UserInterface','Message','Alert','Display'], Title=panelid, Text= "Was clicked")
panelId = data['Event']['UserInterface']['Extensions']['Panel']['Clicked']['PanelId']
await start('10.10.10.1','admin','T357c45e')
await client.subscribe(['Event','UserInterface','Extensions','Panel','Clicked'], callback, True)
asyncio.run(task())
```

### NEW QUESTION: 99

Refer to the exhibit. This exhibit is based on the simple Python script to update a Webex registered room device (local IP = 10.10.20.153) with a new custom half- wake message. What is the URL to complete the requests.post() method?

```
import requests

requests.post('_____',
 verify = False,
 auth = ('integrator', 'integrator'),
 headers = { 'Content-Type': 'text/xml' },
 data = '''<Configuration>
 <UserInterface>
 <CustomMessage>New Welcome Message</CustomMessage>
 </UserInterface>
 </Configuration>'''
)
```

- A. http://10.10.20.153/putxml
- B. http://10.10.20.153:22/
- C. http://10.10.20.153/jsxapi
- D. http://api.webex.com/v1/ui

Answer: A ([LEAVE A REPLY](#))

### NEW QUESTION: 100

DRAG DROP

Drag and drop the bootkit functions from the left onto the correct actions on the right.

Select and Place:

**Answer Area**

|         |                                                                   |
|---------|-------------------------------------------------------------------|
| hears() | Adds a question to the thread and evaluate the answer.            |
| ask()   | Sends a message with no pause for response.                       |
| say()   | Replies to an incoming message.                                   |
| reply() | Listens for keyword, phrases, or patterns in messages from users. |

**Answer:**  
ANSWER AREA

|         |         |
|---------|---------|
| hears() | ask()   |
| ask()   | say()   |
| say()   | reply() |
| reply() | hears() |

Section: Network Programmability Foundation

**NEW QUESTION: 101**

Which two statements describe advantages of consuming APIs with asynchronous versus synchronous requests? (Choose two.)

- A. All Cisco APIs are designed to be invoked asynchronously.
- B. APIs respond more quickly when invoked asynchronously.
- C. Asynchronous request coding is less complex.
- D. Application threads do not block waiting for an asynchronous response.
- E. Multiple asynchronous requests can be sent simultaneously.

**Answer: B,D (LEAVE A REPLY)**

Section: Network Programmability Foundation

**NEW QUESTION: 102**

Drag and drop the code from the bottom onto the box where the JavaScript code is missing to list licenses in a critical state. Not all options are used.

Select and Place:

Answer Area

```
var unirest = require("unirest")
async function listLicenses(orgID){
 var req = unirest("GET", "https://webexapis.com/v1/licenses")
 req.query({
 "orgId": orgID,
 });
 req.headers({
 [redacted]
 });
 req.end(function (response) {
 [redacted]
 for (x in licenses){
 if (licenses[x]["consumedUnits"] > 0){
 console.log(licenses[x][redacted])
 }
 }
 });
}
```

- "Authorization": "Bearer 11111111AAAAaaaaa11111aaA",
- "Authentication": "11111111AAAAaaaaa11111aaAB22bb2B",
- var licenses = response.body["items"]
- var licenses = response.body["licenses"]
- ["name"]
- ["type"]

Answer:

Answer Area

```
var unirest = require("unirest")
async function listLicenses(orgID){
 var req = unirest("GET", "https://webexapis.com/v1/licenses")
 req.query({
 "orgId": orgID,
 });
 req.headers({
 "Authorization": "Bearer 11111111AAAAaaaaa11111aaA",
 });
 req.end(function (response) {
 var licenses = response.body["items"]
 for (x in licenses){
 if (licenses[x]["consumedUnits"] > 0){
 console.log(licenses[x][redacted] ["name"])
 }
 }
 });
}
```

- "Authorization": "Bearer 11111111AAAAaaaaa11111aaA",
- "Authentication": "11111111AAAAaaaaa11111aaAB22bb2B",
- var licenses = response.body["items"]
- var licenses = response.body["licenses"]
- ["name"]
- ["type"]

NEW QUESTION: 103

DRAG DROP

Drag and drop the commands from the left onto the curl command to create a custom branding message using the xAPI HTTP API. Not all options are used.

Select and Place:

POST

Content-Type: text/xml

PUT

putxml

<BrandingConfig>

</BrandingConfig>

<Branding>

postxml

Content: text

</Branding>

<Configuration>

</Configuration>

**Answer Area**

```

curl -X [] \
 http://192.168.1.34/ [] \
 -H 'Authorization: Basic aW50ZWdyYXRvcjppbnRlZ3JhdG9yDQo=' \
 -H ' [] ' \
 -d ' []
 <UserInterface>
 <CustomMessage>My Company Branding</CustomMessage>
 </UserInterface>
 []

```

**Answer:**

POST

Content-Type: text/xml

PUT

putxml

<BrandingConfig>

</BrandingConfig>

<Branding>

postxml

Content: text

</Branding>

<Configuration>

</Configuration>

**Answer Area**

```

curl -X POST \
 http://192.168.1.34/ putxml \
 -H 'Authorization: Basic aW50ZWdyYXRvcjppbnRlZ3JhdG9yDQo=' \
 -H ' Content-Type: text/xml ' \
 -d ' <Configuration>
 <UserInterface>
 <CustomMessage>My Company Branding</CustomMessage>
 </UserInterface>
 </Configuration>

```

Section: Collaboration Endpoints

**NEW QUESTION: 104**

Drag and drop the git commands/steps from the left into the correct order on the right to make changes and submit code to a remote repository.

## Answer Area

|                                                   |  |
|---------------------------------------------------|--|
| git add main.py                                   |  |
| git commit -m "fix for #234"                      |  |
| git clone https://github.com/CiscoDevNet/repo.git |  |
| git push origin master                            |  |
| Edit file main.py                                 |  |

## Answer:

| Answer Area                                       |                                                   |
|---------------------------------------------------|---------------------------------------------------|
| git add main.py                                   | git clone https://github.com/CiscoDevNet/repo.git |
| git commit -m "fix for #234"                      | Edit file main.py                                 |
| git clone https://github.com/CiscoDevNet/repo.git | git add main.py                                   |
| git push origin master                            | git commit -m "fix for #234"                      |
| Edit file main.py                                 | git push origin master                            |

## NEW QUESTION: 105

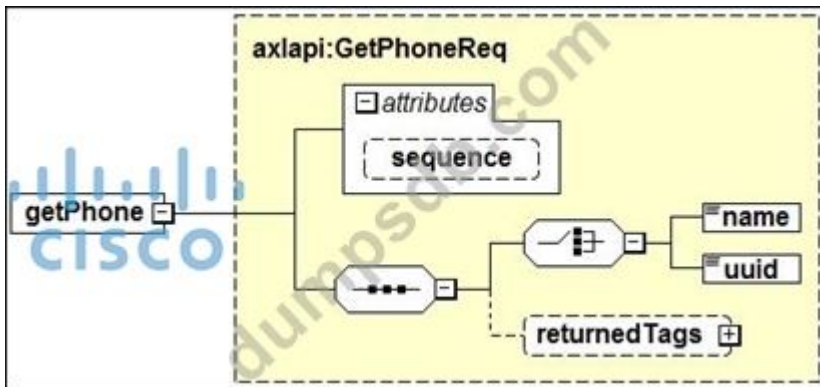
Which of the following commands should you issue to set the maximum number of extensions that you can configure on a CME router? (Choose two.)

- A. ephone
- B. ephone-dn
- C. max-dn
- D. telephony-service
- E. dnwebedit
- F. max-ephones

Answer: ([SHOW ANSWER](#))

## NEW QUESTION: 106

Refer to the exhibit.



Based on the schema diagram in the exhibit, which two XML objects are valid AXL `<getPhone>` request `<Body>` elements? (Choose two.)

- A. `<soapenv:Body>`  
`<ns:getPhone sequence="1">`  
`<name>BOT209342098</name>`  
`<returnedtags><model/></returnedtags>`  
`</ns:getPhone>`  
`</soapenv:Body>`
- B. `<soapenv:Body>`  
`<ns:getPhone>`  
`<name>BOT209342098</name>`  
`<returnedTags><model/></returnedTags>`  
`</ns:getPhone>`  
`</soapenv:Body>`
- C. `<soapenv:Body>`  
`<ns:getPhone>`  
`<name>BOT209342098</name>`  
`<uuid>{2B1931A2-8FC2-A0C2-7282-B88B5A6356A0}</uuid>`  
`</ns:getPhone>`  
`</soapenv:Body>`
- D. `<soapenv:Body>`  
`<ns:getPhone sequence="1">`  
`<uuid>{2B1931A2-8FC2-A0C2-7282-B88B5A6356A0}</uuid>`  
`</ns:getPhone>`  
`</soapenv:Body>`
- E. `<soapenv:Body>`  
`<ns:getPhone sequence="1">`  
`<name>BOT209342098</name>`  
`<returnedTags>All</returnedTags>`  
`</ns:getPhone>`  
`</soapenv:Body>`

- A. Option E  
 B. Option B  
 C. Option A  
 D. Option D  
 E. Option C

Answer: C,D ([LEAVE A REPLY](#))

**Valid 300-835 Dumps** shared by TrainingQuiz.com for Helping Passing 300-835 Exam! TrainingQuiz.com now offer the **newest 300-835 exam dumps**, the TrainingQuiz.com 300-835 exam **questions have been updated** and **answers have been corrected** get the **newest** TrainingQuiz.com 300-835 dumps with Test Engine here:  
<https://www.trainingquiz.com/300-835-practice-quiz.html> (132 Q&As Dumps, **40%OFF** Special Discount: **Exam-Tests**)

### NEW QUESTION: 107

Refer to the exhibit.

```
<?xml version="1.0" encoding = "UTF-8"?>
<serv:message xmlns:serv="http://www.webex.com/schemas/2002/06/service"
 xmlns:xsi="http://www.w3.org/2001/XMLSchema-instance">
 <header>
 <securityContext>
 <siteName>apidemoeu</siteName>
 <webExID>alice@example.com</webExID>
 <sessionTicket>AAABb6TooBMAABUYA0gAKEgyU0sAAAAE9FpXDKRKO</sessionTicket>
 </securityContext>
 </header>
 <body>
 []
 </body>
</serv:message>
```

Alice is a Webex Meetings admin for her organization. Which code snippet completes a Webex Meetings XML API request that returns all users?

- A. <bodyContent xsi:type=<java:com.webex.service.binding.user.GetUser"> <webExID></webExID> </bodyContent>
- B. <bodyContent xsi:type=<java:com.webex.service.binding.user.LstsummaryUser"> </bodyContent>
- C. <bodyContent xsi:type=<java:com.webex.service.binding.user.GetUser"> </bodyContent>
- D. <bodyContent xsi:type=<java:com.webex.service.binding.user.LstsummaryUser"> <webExID>\*</webExID> </bodyContent>

- A. Option B
- B. Option C
- C. Option D
- D. Option A

Answer: A ([LEAVE A REPLY](#))

**NEW QUESTION: 108**

Which Webex SDK allows group space calling?

- A. Java
- B. Browser
- C. ChromeOS
- D. Node.js

**Answer: B ([LEAVE A REPLY](#))**

Explanation:

The Webex Browser SDK supports group space calling, enabling developers to embed Webex calling, messaging, and meeting capabilities directly into web applications. It is built on WebRTC and is the primary SDK for rich, real-time communications in browsers.

**NEW QUESTION: 109**

Drag and Drop Question

Drag and drop the code to create a valid Cisco Meeting Server REAST API Python script that creates a CMS coSpace and prints the URI to the console. Not all options are used.

## Answer Area

```
import requests

newSpace = {
 'name': 'Test space',
 'ownerJid': 'janedoe@example.com'
}

head = {
 'Content-Type': ' ',
 'Authorization': ' '
}

resp = requests.post(' ',
 headers=head,
 data=newSpace)

print()
```

'Content-Type': 'application/x-www-form-urlencoded'

'Content-Type': 'application/json'

'Authorization': 'Basic'

'Authorization': 'Bearer'

https://cms.example.com/api/v1/coSpaces

https://cms.example.com/api/v1/addCospace

resp.headers.Location

resp.body.Location

Answer:

Answer Area



```
import requests

newSpace = {
 'name': 'Test space',
 'ownerJid': 'janedoe@example.com'
}

head = {
 'Content-Type': 'application/json',
 'Authorization': 'Basic'
}

resp = requests.post('https://cms.example.com/api/v1/coSpaces',
 headers=head,
 data=newSpace)

print(resp.body.Location)
```

'Content-Type': 'application/x-www-form-urlencoded'

'Authorization': 'Bearer'

https://cms.example.com/api/v1/addCospace

resp.headers.Location

NEW QUESTION: 110

```
<?xml version="1.0"?>
<inboundDialPlanRules total="3">
 <inboundDialPlanRule id="eedeeca5-c73b-441e-bc5a-71d9b256180b">
 <domain>cms.heleus.lab</domain>
 <priority>100</priority>
 </inboundDialPlanRule>
 <inboundDialPlanRule id="647511a0-0c7d-484f-8796-ee52dd3128f1">
 <domain>space.heleus.lab</domain>
 <priority>2</priority>
 </inboundDialPlanRule>
 <inboundDialPlanRule id="2c5662ab-7e5a-45a8-a133-5f4d6c6cb509">
 <domain>cms.lab</domain>
 <priority>1</priority>
 </inboundDialPlanRule>
</inboundDialPlanRules>
```

Refer to the exhibit. Which API call made to Cisco Meeting Server removes the inbound dial plan rule matching cms.lab domain?

- A. DELETE to /api/v1/inboundDialPalnRules/ with body attribute id="2c5662ab-7e5a-45a8-a133-5f4d6c6cb509".
- B. DELETE to /api/v1/inboundDialPalnRules/2c5662ab-7e5a-45a8-a133-5f4d6c6cb509.
- C. PUT to /api/v1/inboundDialPalnRules/2c5662ab-7e5a-45a8-a133-5f4d6c6cb509 with body attribute delete="True".
- D. PUT to /api/v1/inboundDialPalnRules/2c5662ab-7e5a-45a8-a133-5f4d6c6cb509.

**Answer: A (LEAVE A REPLY)**

Section: Meetings

### NEW QUESTION: 111

Drag and Drop Question

Drag and drop the code snippets from the bottom onto the blanks in the code to implement notifications on a room device. Not all options are used.

## Answer Area

```
var alertOn = false
var snapshotTrigger = false

function remoteMonitorTriggered() {
 [redacted]
 snapshotTrigger = true;

 if(!alertOn){
 [redacted]
 alertOn = true;
 }
}

[redacted]
```

- `console.log('Snapshot event triggered');`
- `xapi.event.on('VideoSnapshotTaken', remoteMonitorTriggered);`
- `xapi.command('UserInterface Message Alert Display', {Text:Monitoring});`
- `xapi.command.event(remoteMonitorTriggered);`
- `xapi.event('VideoSnapshotTaken', remoteMonitorTriggered);`
- `console.logging('Snapshot event triggered');`

Answer:

## Answer Area

```
var alertOn = false
var snapshotTrigger = false

function remoteMonitorTriqgered() {
 console.log('Snapshot event triggered');
 snapshotTrigger = true;

 if(!alertOn){
 xapi.command('UserInterface Message Alert Display', {Text:Monitoring});
 alertOn = true;
 }
}

xapi.event.on('VideoSnapshotTaken', remoteMonitorTriggered);
```

```
xapi.command.event(remoteMonitorTriggered);
```

```
xapi.event('VideoSnapshotTaken', remoteMonitorTriggered);
```

```
console.logging('Snapshot event triggered');
```

### Explanation:

console.log(...)logs the snapshot event to the console for debugging or monitoring.  
xapi.command(...)displays a message on the Cisco device interface when triggered.  
xapi.event.on(...)registers the remoteMonitorTriggeredfunction to run when the VideoSnapshotTaken event is triggered.

### NEW QUESTION: 112

```
1 POST /WBXService/XMLService/LstsummaryUser HTTP/1.1
2 Content-Type: application/xml
3 Host: api.webex.com
4 Content-Length: 974
5
6 <?xml version="1.0" encoding="UTF-8"?>2 <serv:message xmlns:serv="http://www.webex.com/schemas/2002/06/service"
7 xmlns:xsi="http://www.w3.org/2001/XMLSchema-instance">
8 <header>
9 <securityContext>
10 <siteName>apidemoeu</siteName>
11 <webExID>janedoe@example.com</webExID>
12 <sessionTicket>AAABb5LTcGcAABUYA0gAKegyu</sessionTicket>
13 </securityContext>
14 <action>java:com.webex.service.binding.meeting.LstsummaryUser</action>
15 </header>
16 <body>
17 <method>java:com.webex.service.binding.meeting.LstsummaryUser</method>
18 <bodyContent xsi:type="java:com.webex.service.binding.meeting.LstsummaryUser">
19 <webExId>{{WEBEXID}}</webExId>
20 </bodyContent>
21 </body>
22 </serv:message>
```

Refer to the exhibit. A Webex Meetings XML API HTTP request message with several invalid portions is shown. Which reference points to a line in the exhibit that correctly indicates that this is a LstsummaryUser request?

- A. line 17
- B. line 1
- C. line 18
- D. line 14

**Answer: B (LEAVE A REPLY)**

Section: Meetings

### **NEW QUESTION: 113**

Which two application use cases can be developed using Cisco UCM CTI (TAPI/JTAPI)?  
(Choose two.)

- A. collaborative file sharing tool
- B. interactive voice response system
- C. contact center solution
- D. instant messaging client
- E. calendaring application

**Answer: B,C (LEAVE A REPLY)**

Explanation:

Cisco UCM CTI (TAPI/JTAPI) enables application control of calls and call routing, which is essential for building interactive voice response systems and contact center solutions that rely on telephony integration.

### **NEW QUESTION: 114**

Drag and Drop Question

A software engineer must configure a Cisco TelePresence device and custom reporting dashboard to retrieve and display the temperature of the device every minute. Drag and drop the code snippets from the bottom onto the boxes in the code to collect and send the data by using the xAPI. Not all options are used.

## Answer Area

```
import requests
import xml.etree.ElementTree as ET
import sched, time
s = sched.scheduler(time.time, time.sleep)
def main(sc):
 url = "https://192.168.159.12/[]"
 payload={}
 headers = { 'Authorization': 'Basic RtaWec25pdHJvZ2VuIQ==' }
 response = requests.request("[]", url, headers=headers, data=payload,
 verify=False)
 tree = ET.fromstring(response.text)
 current_temp = tree.find('SystemUnit').find('Hardware').find('[]')
 threshold_temp = tree.find('SystemUnit').find('Hardware').find('Temperature
 Threshold')
 if float(current_temp.text) > float(threshold_temp.text):
 print("Temperature too high.")
 (60, 1, main, (sc,))
 []
s.enter(60, 1, main, (s,))
s.run()
```

GET

status

s.enter

status.xml

POST

Bearer

Temperature

## Answer:

### Answer Area

```
import requests
import xml.etree.ElementTree as ET
import sched, time
s = sched.scheduler(time.time, time.sleep)
def main(sc):
 url = "https://192.168.159.12/status.xml"
 payload={}
 headers = { 'Authorization': 'Basic RtaWec25pdHJvZ2VuIQ==' }
 response = requests.request("GET", url, headers=headers, data=payload,
 verify=False)
 tree = ET.fromstring(response.text)
 current_temp = tree.find('SystemUnit').find('Hardware').find('Temperature')
 threshold_temp = tree.find('SystemUnit').find('Hardware').find('Temperature
 Threshold')
 if float(current_temp.text) > float(threshold_temp.text):
 print("Temperature too high.")
 (60, 1, main, (sc,))
 s.enter
s.enter(60, 1, main, (s,))
s.run()
```

status

POST

Bearer

## Explanation:

The script connects to the Cisco TelePresence device via its endpoint status.xml and uses an HTTP GET request to retrieve system status in XML format. It parses the XML to extract

Temperature and TemperatureThreshold values from the SystemUnit > Hardware section. If the temperature exceeds the threshold, it logs a warning. The s.enter and s.run() statements ensure the script runs this check every 60 seconds.

**NEW QUESTION: 115**

What is a benefit of using Python virtual environments?

- A. It allows Python to differentiate between package versions.
- B. It isolates dependencies of every project from the system and each other.
- C. It puts dependent packages in a common site-packages directory.
- D. It frees the developer from installing the project dependencies.

**Answer: B ([LEAVE A REPLY](#))**

**Valid 300-835 Dumps** shared by TrainingQuiz.com for Helping Passing 300-835 Exam!

TrainingQuiz.com now offer the **newest 300-835 exam dumps**, the TrainingQuiz.com 300-835 exam **questions have been updated** and **answers have been corrected** get the **newest** TrainingQuiz.com 300-835 dumps with Test Engine here:

<https://www.trainingquiz.com/300-835-practice-quiz.html> (132 Q&As Dumps, **40%OFF** Special

Discount: **Exam-Tests**)